

[54] TABLE

[76] Inventors: Stephen H. Robertson; Randall L. Ward, both of P. O. Box 30153, Raleigh, N.C. 27622

[**] Term: 14 Years

[21] Appl. No.: 191,483

[22] Filed: Sep. 29, 1980

D. 249,858 10/1978 Gageby D6/177

OTHER PUBLICATIONS

Design Catalog, 2-1964, p. 28, Chair top right. Interiors, Nov. 1972, p. 31, Table right center.

Primary Examiner—Bruce W. Dunkins

[57] CLAIM

The ornamental design for a table, as shown.

DESCRIPTION

FIG. 1 is a perspective view looking down at one longitudinal side of the table; FIG. 2 is a side view looking at the opposite side of the table from that shown in FIG. 1; FIG. 3 is a perspective view looking up at the bottom of the table and showing one end and one longitudinal side of the table; FIG. 4 is an end view looking at the end opposite that shown in FIG. 3; and FIG. 5 is a top plan view of the table.

Related U.S. Application Data

[63] Continuation-in-part of Ser. No. 854,984, Nov. 25, 1977.

[51] Int. Cl. D6-03

[52] U.S. Cl. D6/177

[58] Field of Search D6/177-179

[56] References Cited

U.S. PATENT DOCUMENTS

D. 239,684 4/1976 Robertson et al. D6/177

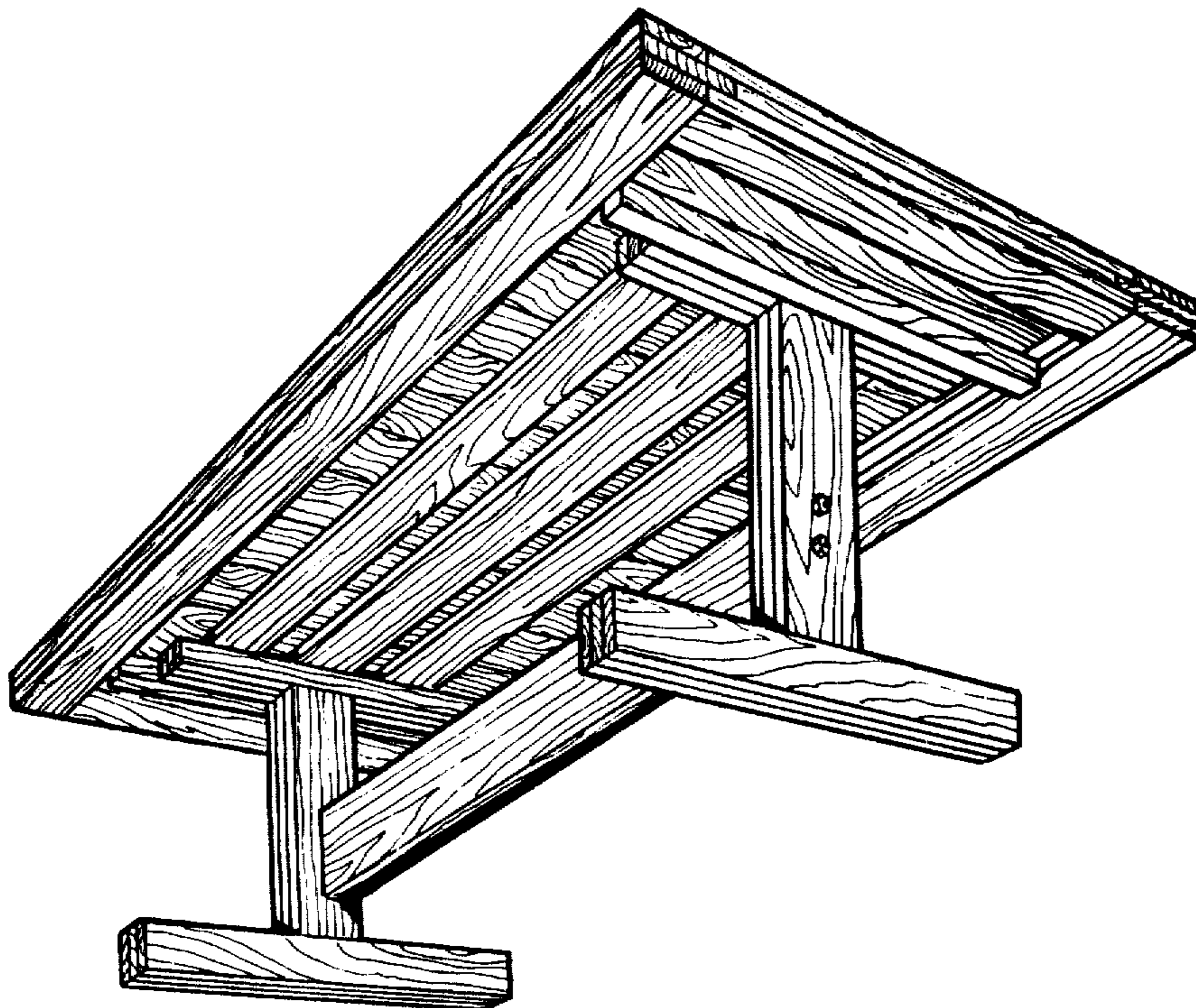


FIG. 1

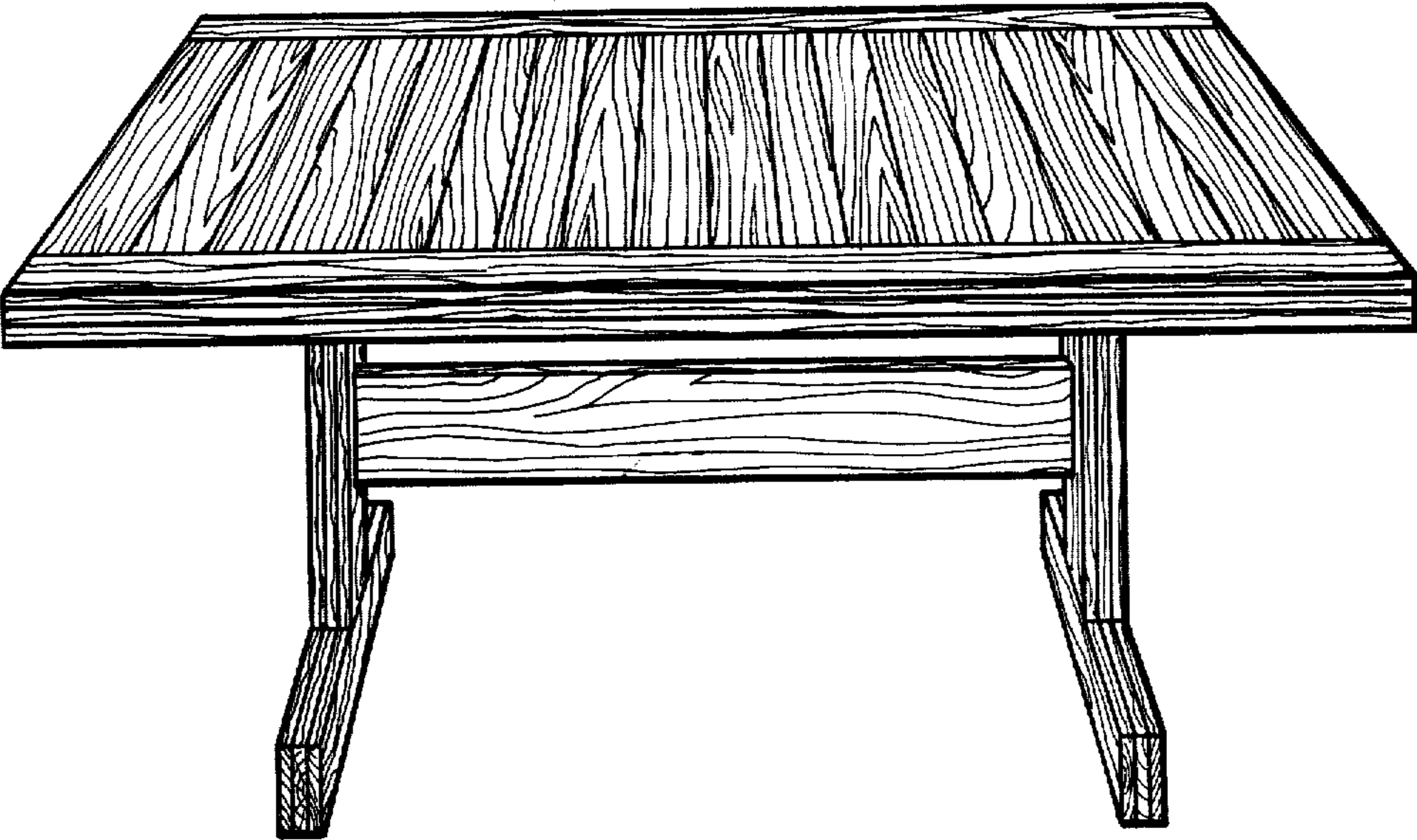


FIG. 2

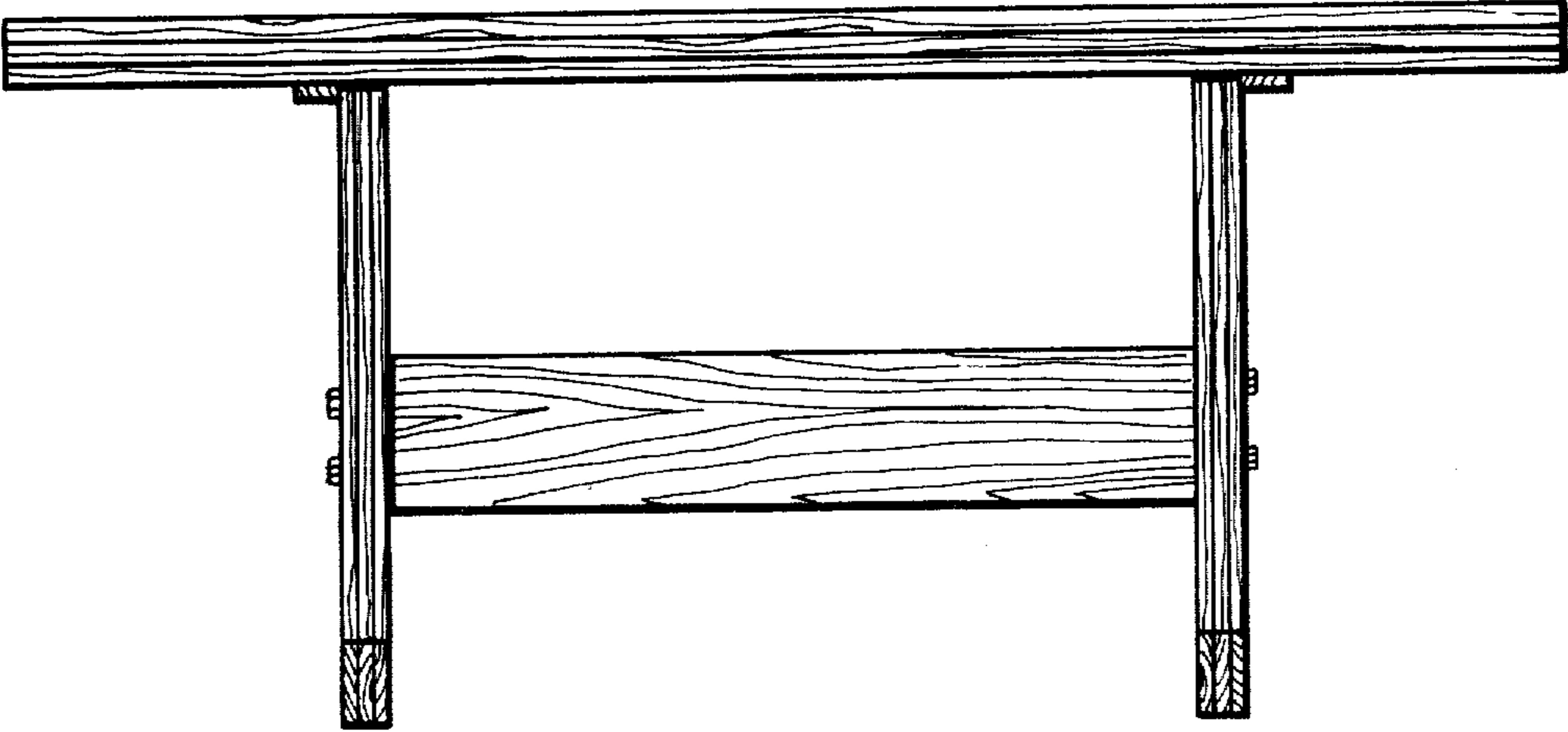


FIG. 3

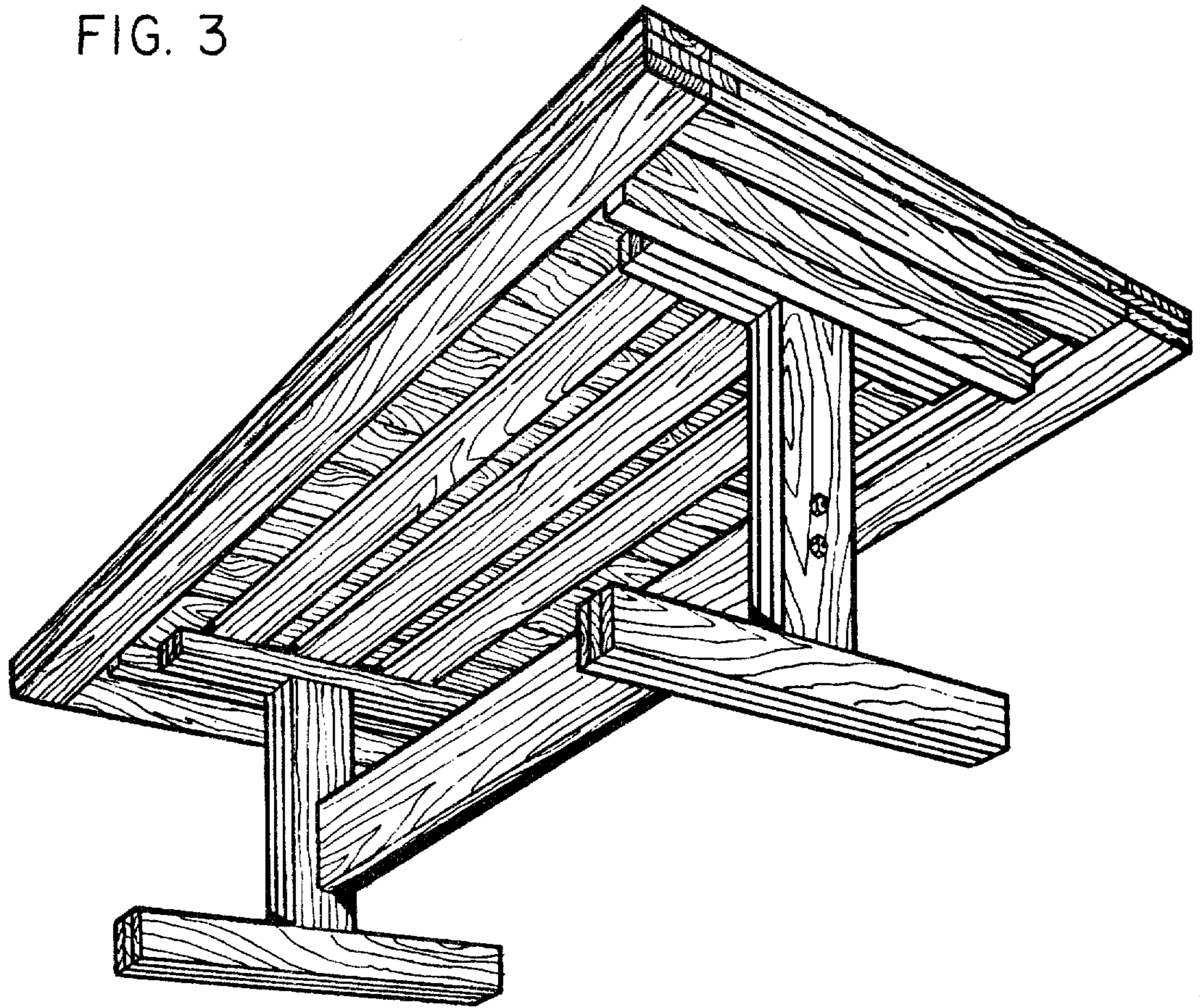


FIG. 4

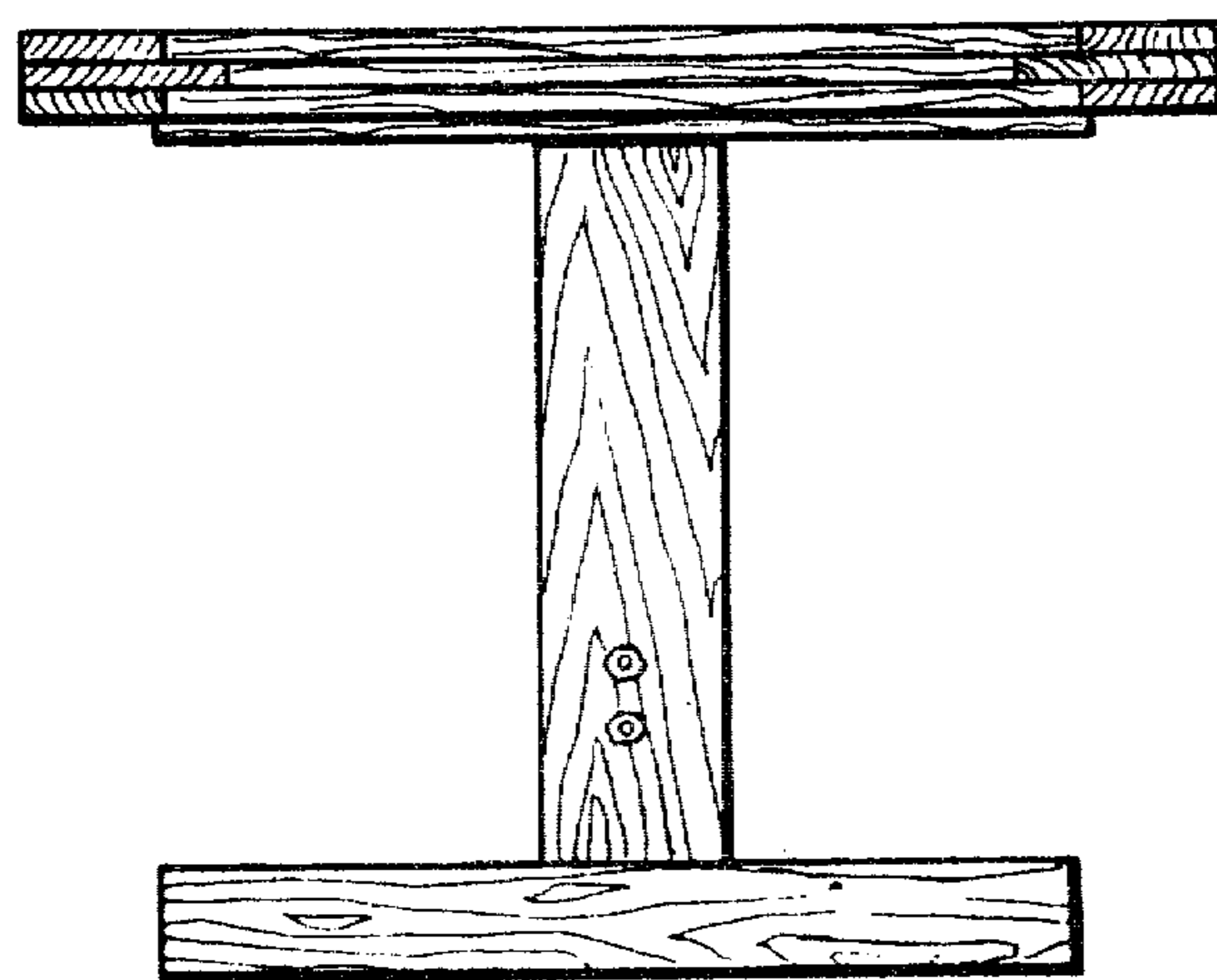


FIG. 5

