

[54] VIDEO CASSETTE STORAGE RACK

[75] Inventors: Pasquale L. Pepicelli, Jr., Chelmsford; Edward Yonkers, Newton, both of Mass.

[73] Assignee: Data Packaging Corporation, Cambridge, Mass.

[**] Term: 14 Years

[21] Appl. No.: 123,742

[22] Filed: Feb. 22, 1980

[51] Int. Cl. D06-04

[52] U.S. Cl. D6/130; D3/35; D6/188

[58] Field of Search D6/85, 181, 184, 185, D6/186, 188, 189; D3/35; D6/114, 130, 157, 132; 211/40, 41, 58; 312/10, 11

[56] References Cited

U.S. PATENT DOCUMENTS

D. 212,192 9/1968 Adell D6/130

D. 242,313 11/1976 Stentz D6/132
D. 245,300 8/1977 Mathus et al. D6/188 X
D. 247,645 3/1978 Woodhall D3/35
887,631 5/1908 Hawthorne 312/10
900,714 10/1908 Eberhart 312/10

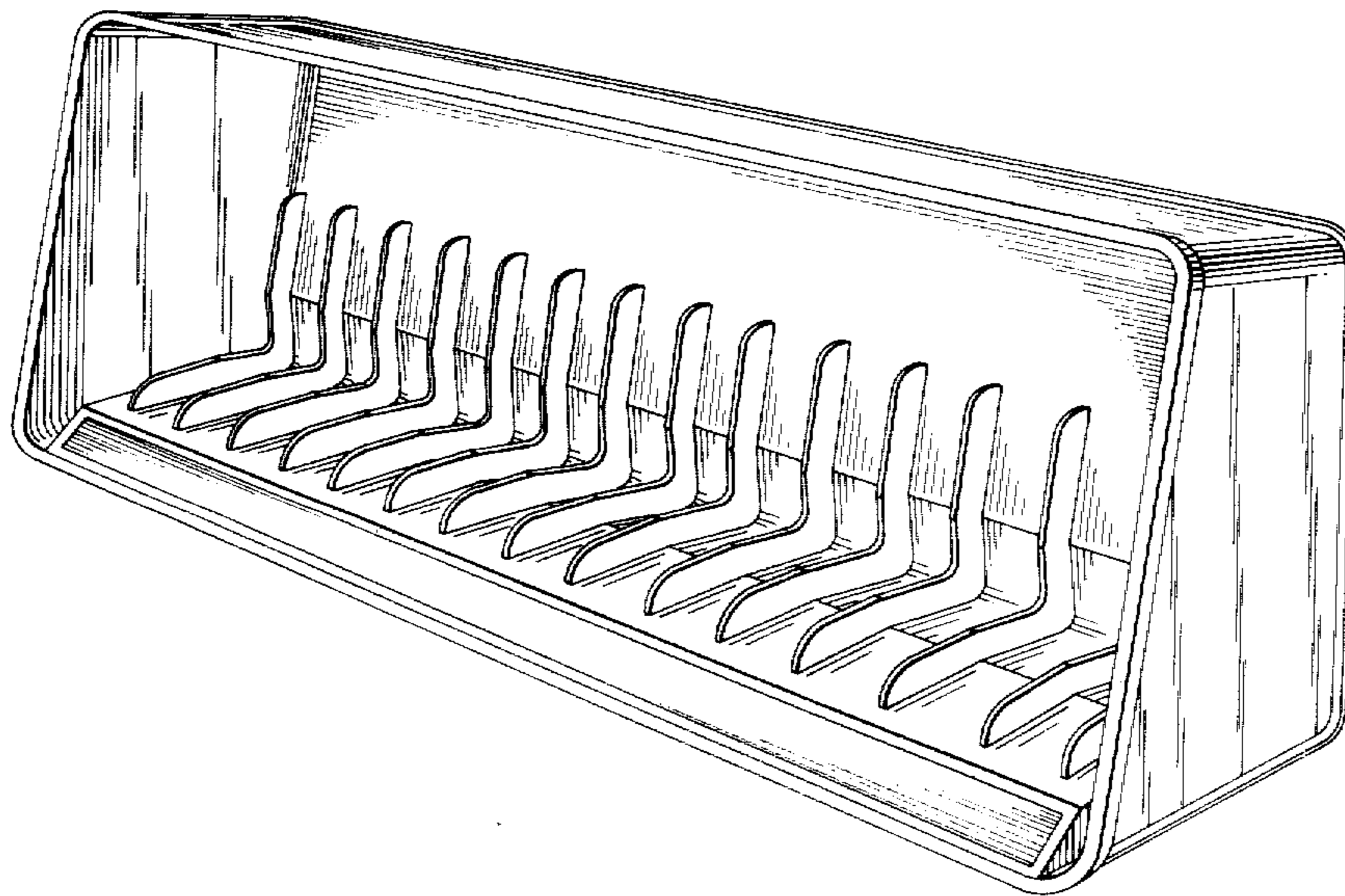
Primary Examiner—Joel Stearman
Assistant Examiner—Carmen H. Vales
Attorney, Agent, or Firm—Wolf, Greenfield & Sacks

[57] CLAIM

The ornamental design for a video cassette storage rack, as shown and described.

DESCRIPTION

FIG. 1 is a perspective view of a video cassette storage rack showing our new design;
FIG. 2 is a front elevational view thereof;
FIG. 3 is a top plan view thereof;
FIG. 4 is a bottom plan view thereof;
FIG. 5 is a rear elevational view thereof;
FIG. 6 is a right end elevational view thereof, the left end being substantially a mirror image thereof; and
FIG. 7 is a cross sectional view taken along line 7-7 of FIG. 2.



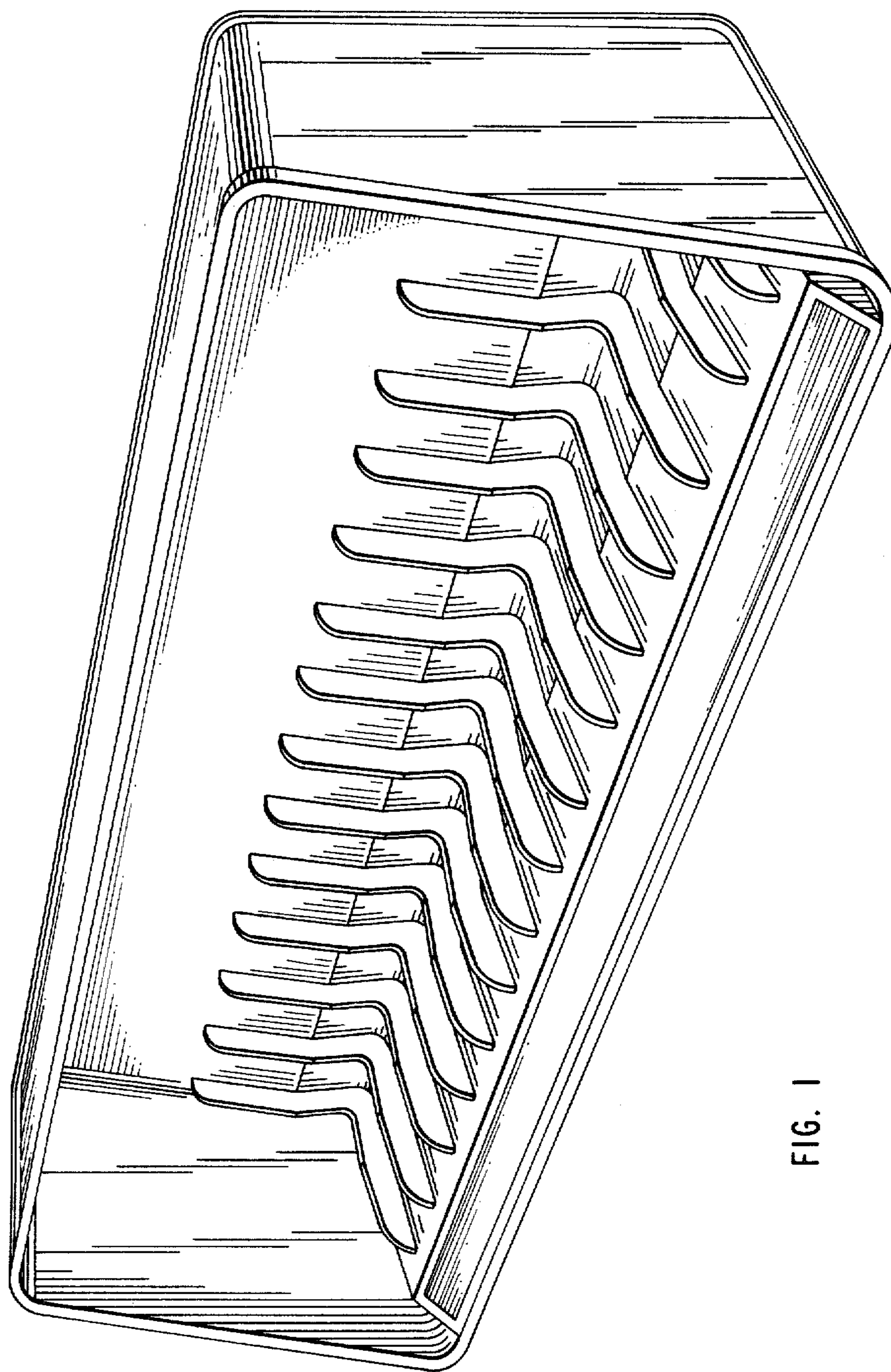


FIG. 1

FIG. 2

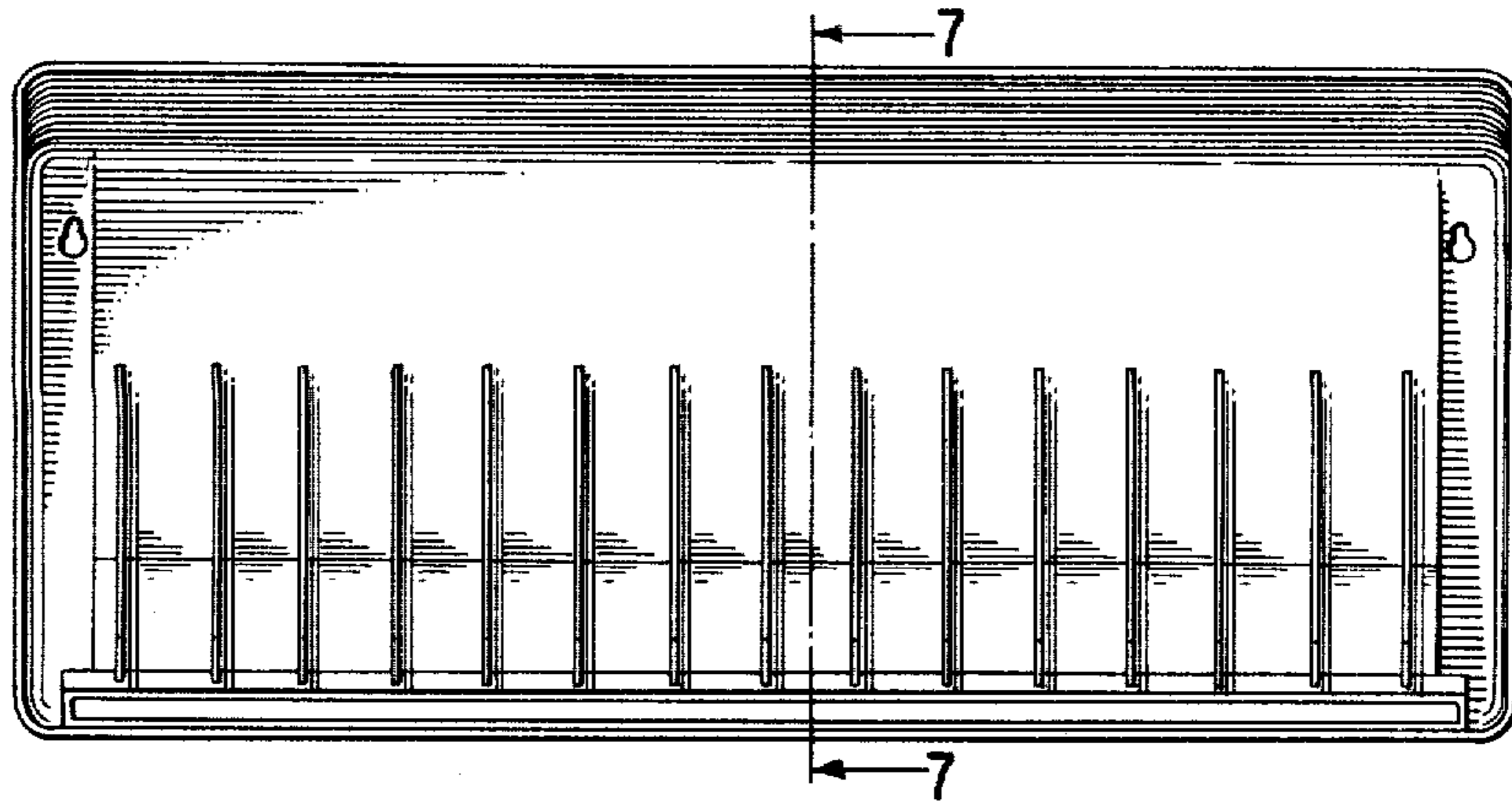


FIG. 3

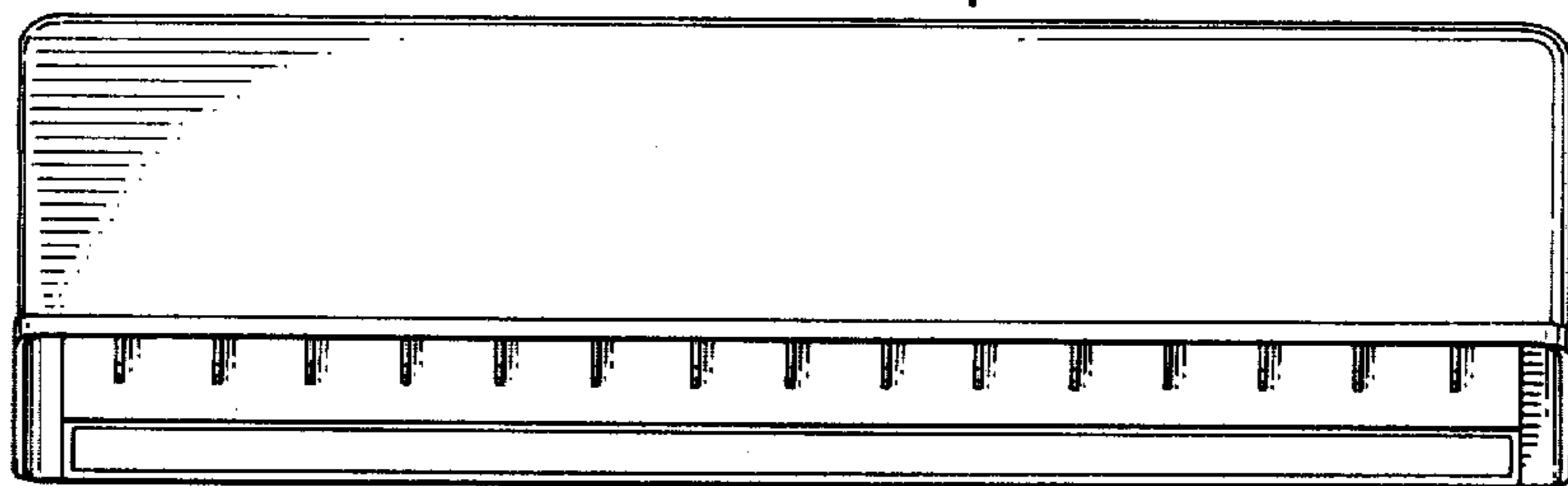


FIG. 4

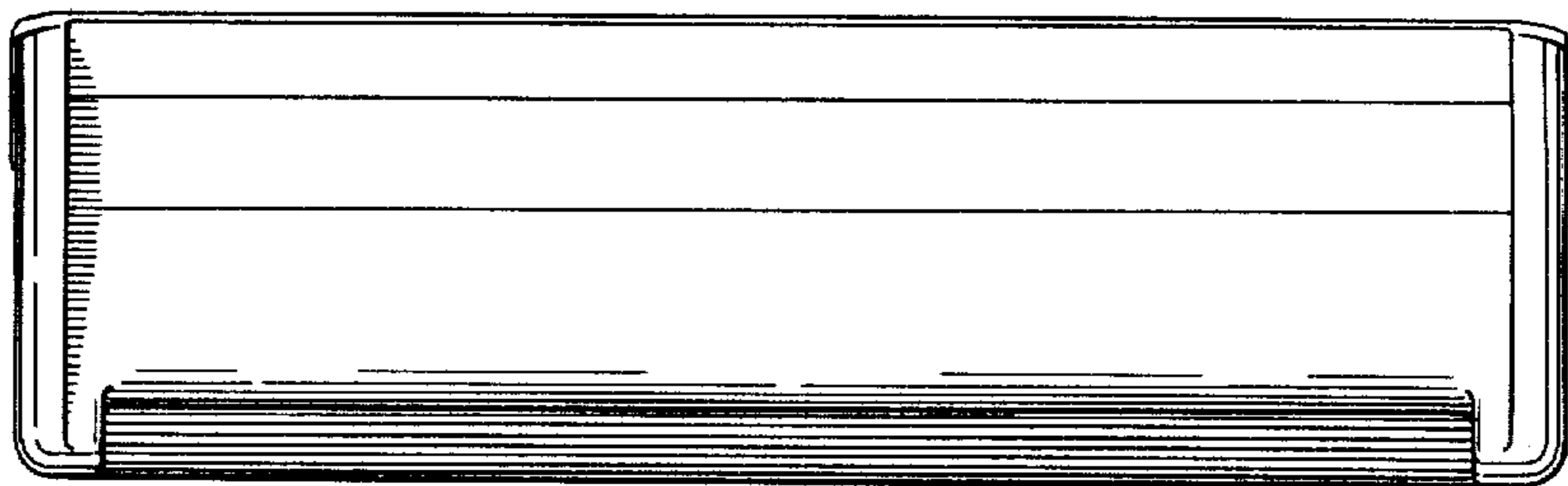


FIG. 5



FIG. 6

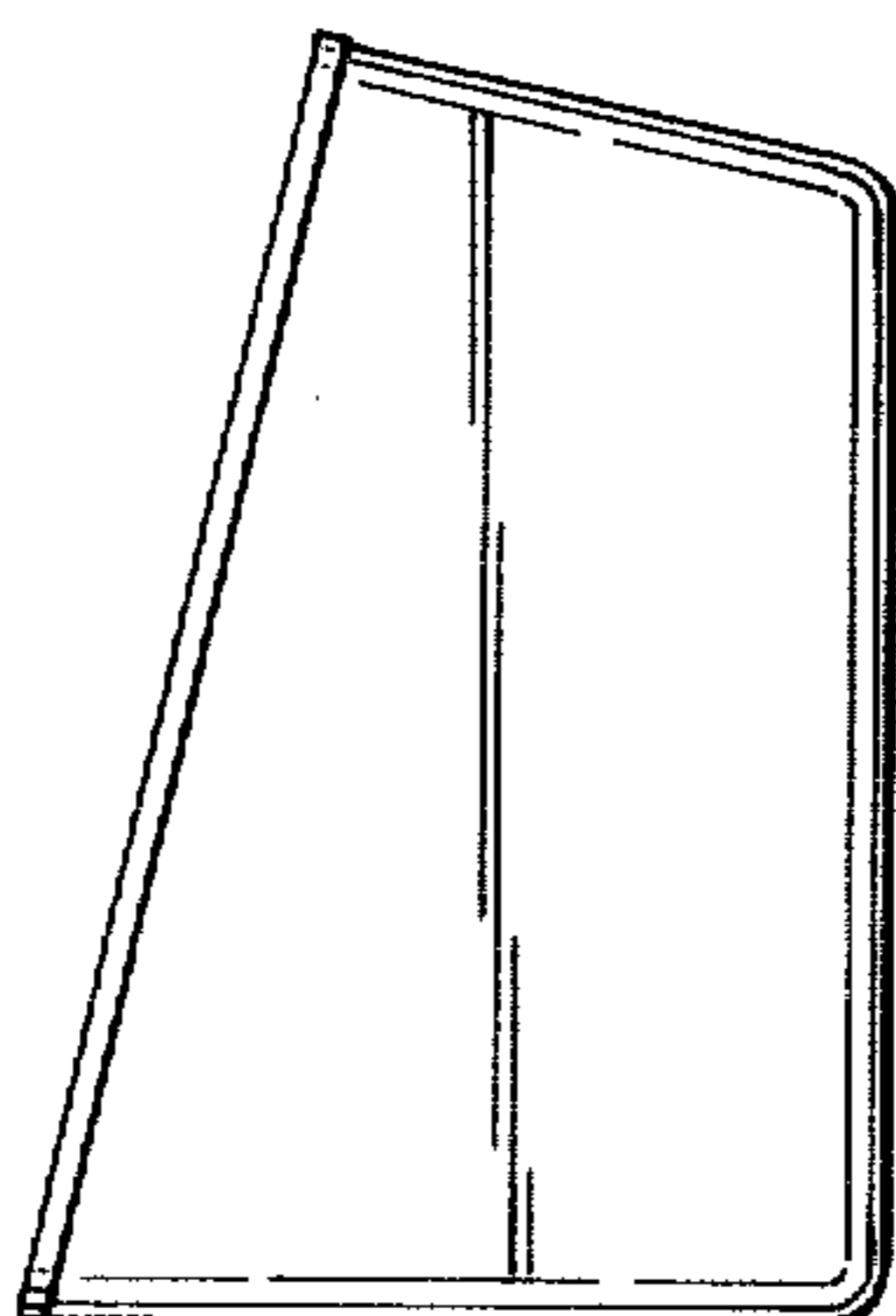


FIG. 7

