

[54] COLLAPSIBLE HOLDER FOR A CONTAINER

[58] Field of Search ..... D6/85, 114, 125, 130-136, D6/193; D7/70; 211/13, 74, 75, 87, 88, 90, 128, 133-135, 153, 181, 182, 189, 85, 104; 248/175, 311.1 R

[76] Inventor: William Ormond, 233 Hillcrest Ave., Hamilton, Ontario, Canada, L8P 2X3

[56] References Cited

U.S. PATENT DOCUMENTS

[\*\*] Term: 14 Years

832,754	10/1906	Smith	248/311.1
898,755	9/1908	Little	211/74
1,646,562	10/1927	Snow	D7/70
2,370,822	3/1945	Taurman et al.	248/311.1
2,754,078	7/1956	Koger et al.	248/311.1

[21] Appl. No.: 87,613

[22] Filed: Oct. 23, 1979

Primary Examiner—B. J. Bullock  
Attorney, Agent, or Firm—Hirons, Rogers & Scott

Related U.S. Application Data

[62] Division of Ser. No. 901,727, May 1, 1978, Pat. No. Des. 256,528.

[57] CLAIM

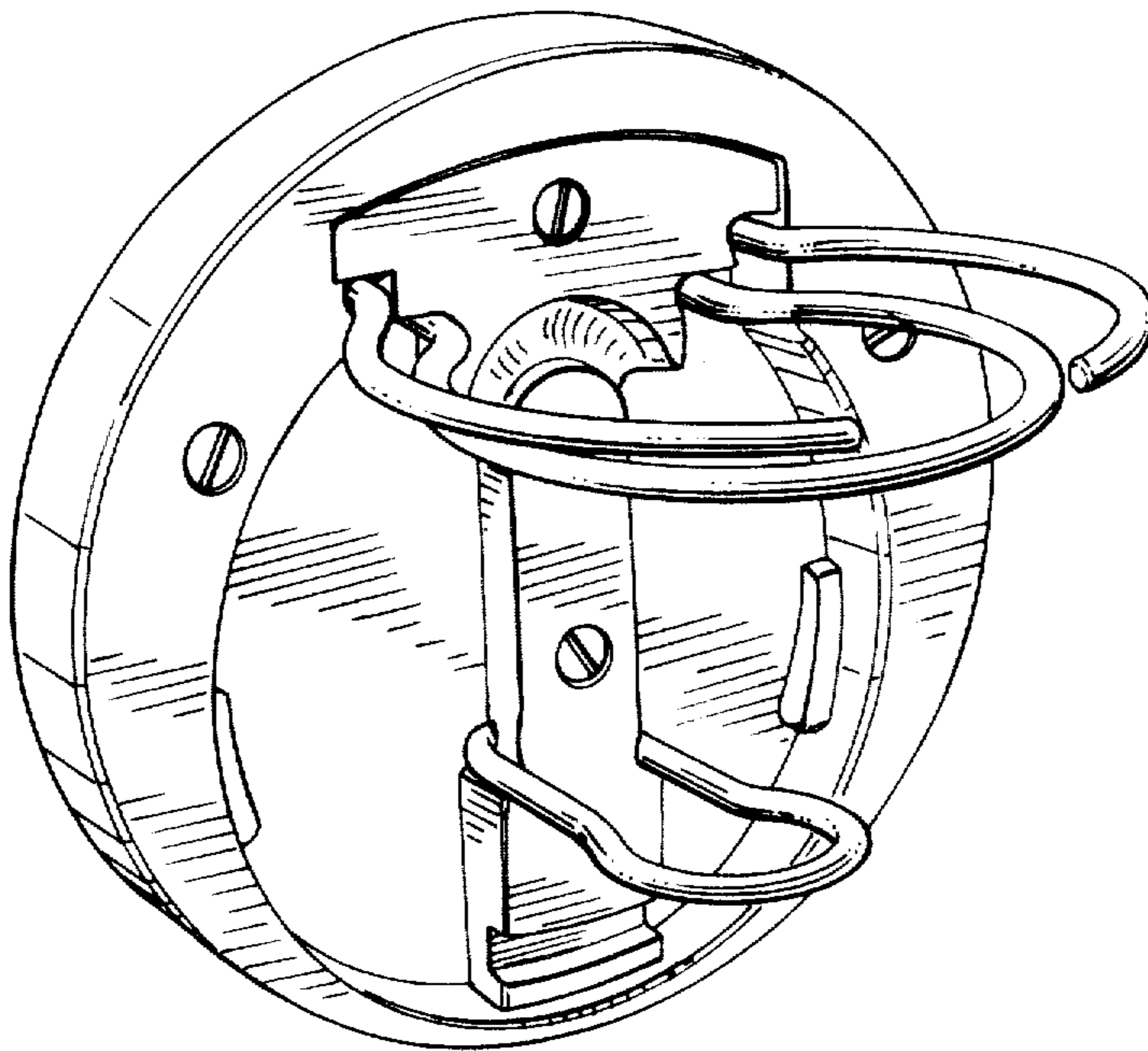
The ornamental design for a collapsible holder for a container, as shown.

DESCRIPTION

[51] Int. Cl. .... D6-04

[52] U.S. Cl. .... D6/130; D6/93

FIG. 1 is a front perspective view of a collapsible holder for a container showing my new design; FIG. 2 is a rear perspective view thereof.



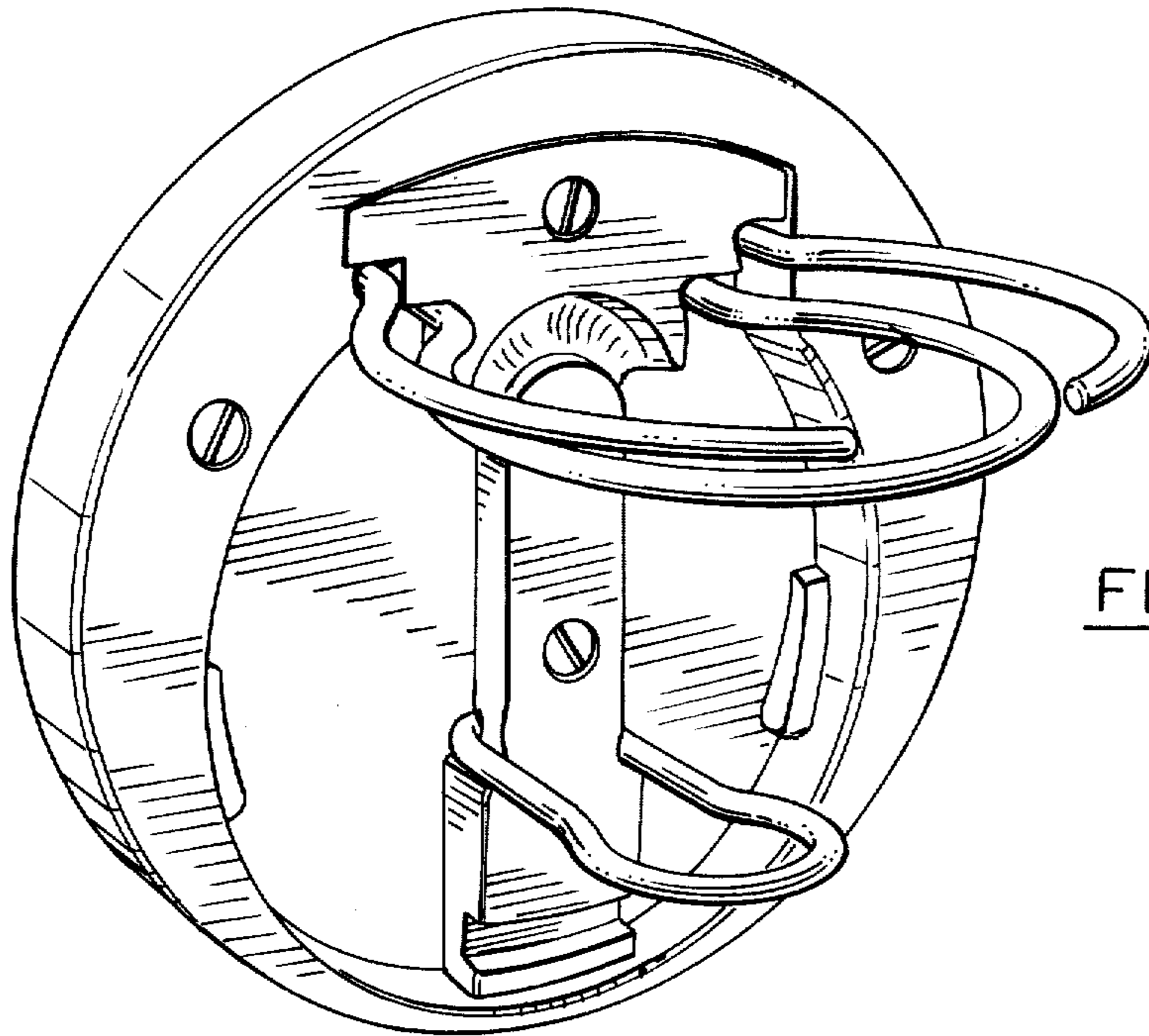


FIG. 1

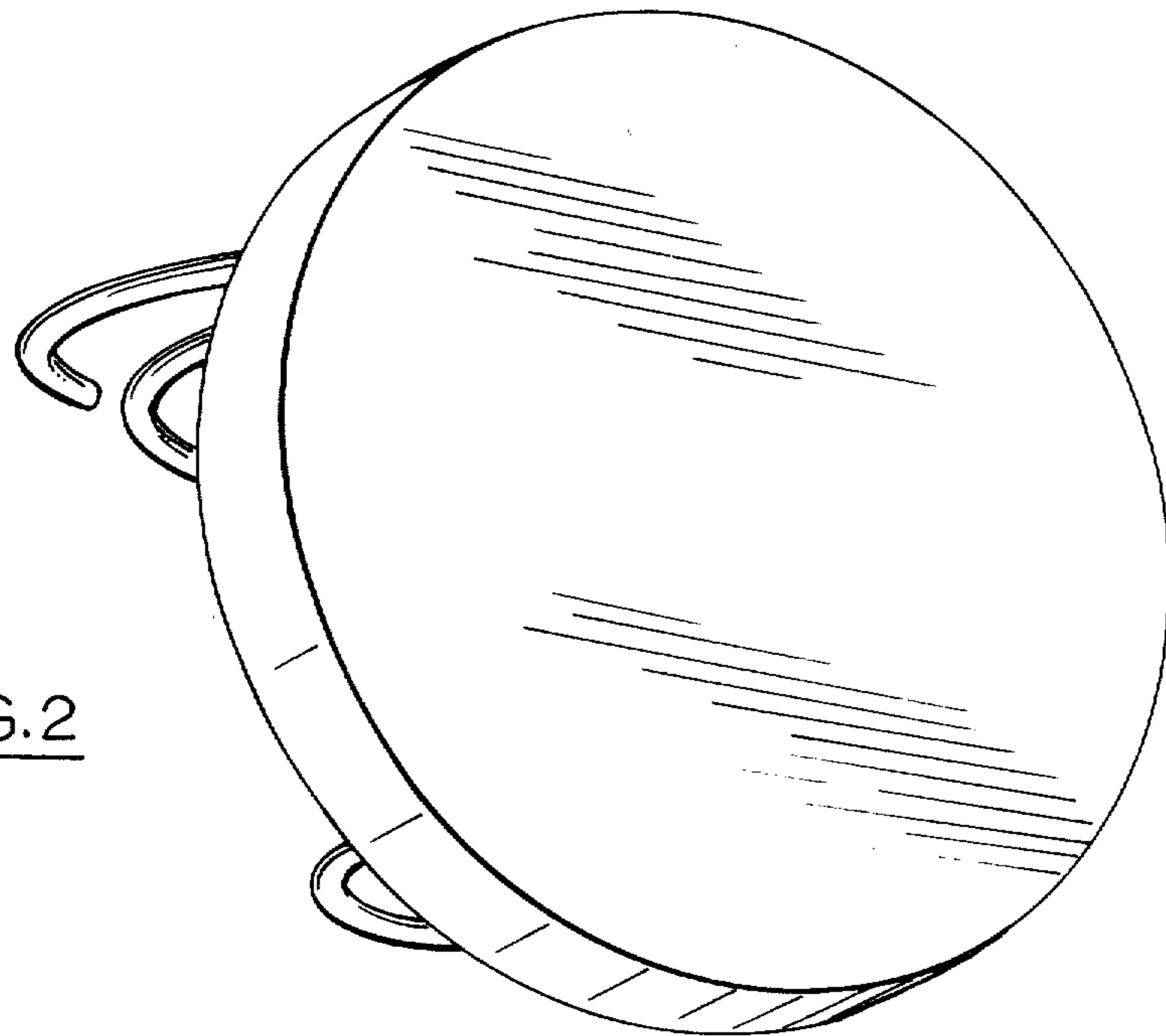


FIG. 2