

[54] SUPPORT FOR FLEXIBLE DRYER VENT PIPE

[76] Inventor: Paul Flora, P.O. Box 370, Quinter, Kans. 67752

[**] Term: 14 Years

[21] Appl. No.: 34,993

[22] Filed: May 1, 1979

[51] Int. Cl. D6-06

[52] U.S. Cl. D6/114; D6/20; D6/85

[58] Field of Search D6/20, 28, 85, 114, D6/157, 130, 142; 221/197, 287; 211/106, 181; 248/302; 220/401

[56]

References Cited

U.S. PATENT DOCUMENTS

D. 197,393	1/1964	Beltram	D6/85
D. 227,214	6/1973	Inouye	D6/20
D. 237,565	11/1975	Warren et al.	D6/85
3,113,400	12/1963	Emond	211/181
3,167,287	1/1965	Collins	248/302

Primary Examiner—B. J. Bullock

Attorney, Agent, or Firm—Horace B. Van Valkenburgh

[57]

CLAIM

The ornamental design for a support for flexible dryer vent pipe, as shown.

DESCRIPTION

FIG. 1 is a front perspective view of a support for a flexible dryer vent pipe showing my new design.

FIG. 2 is a perspective view of the rear and the side opposite that shown in FIG. 1.

FIG. 3 is an enlarged top plan view thereof.

FIG. 4 is an enlarged bottom plan view thereof.

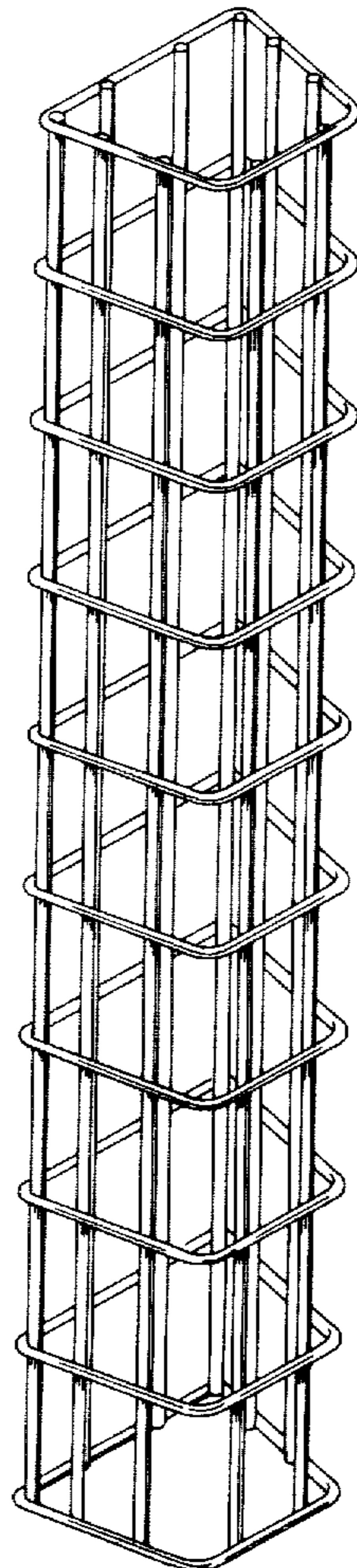


Fig.-1

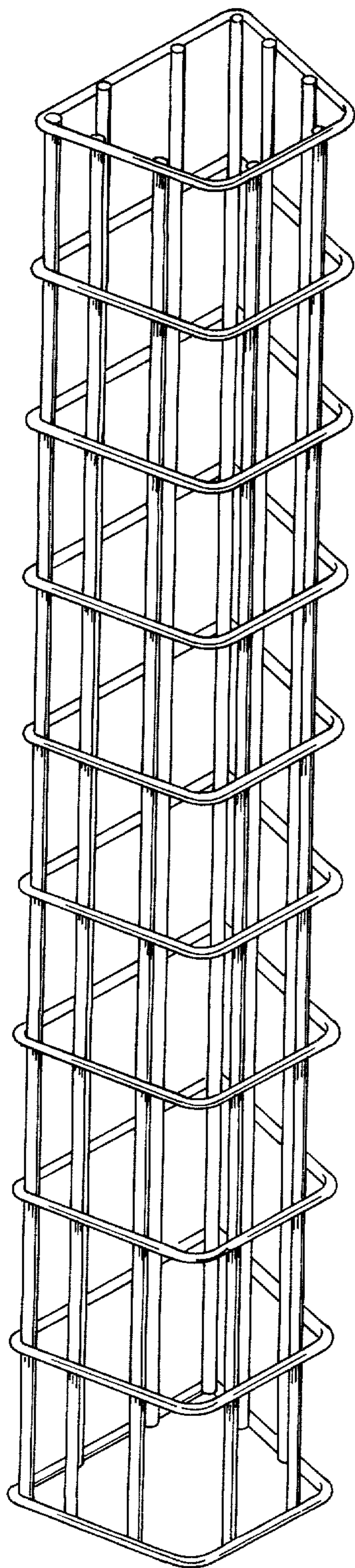


Fig.-2

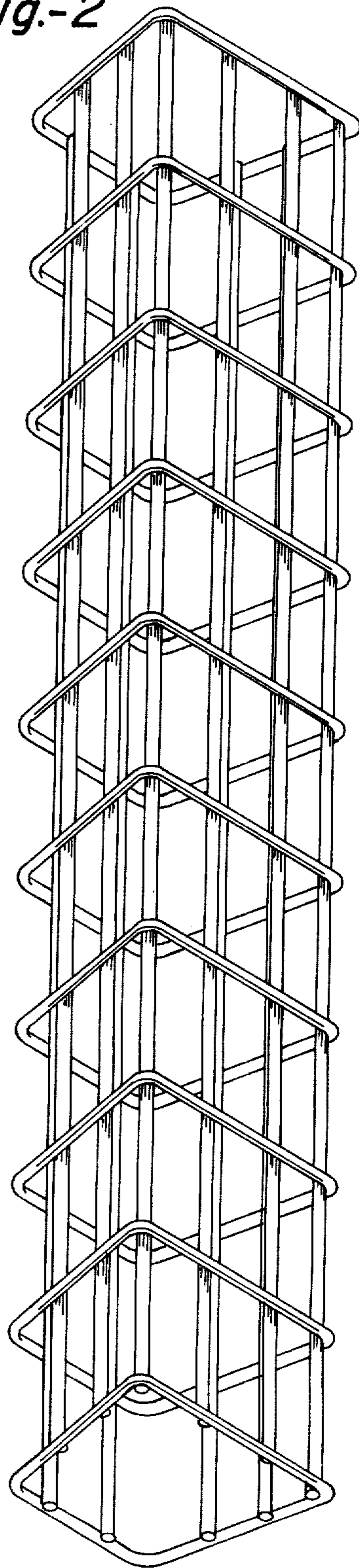


Fig.-3

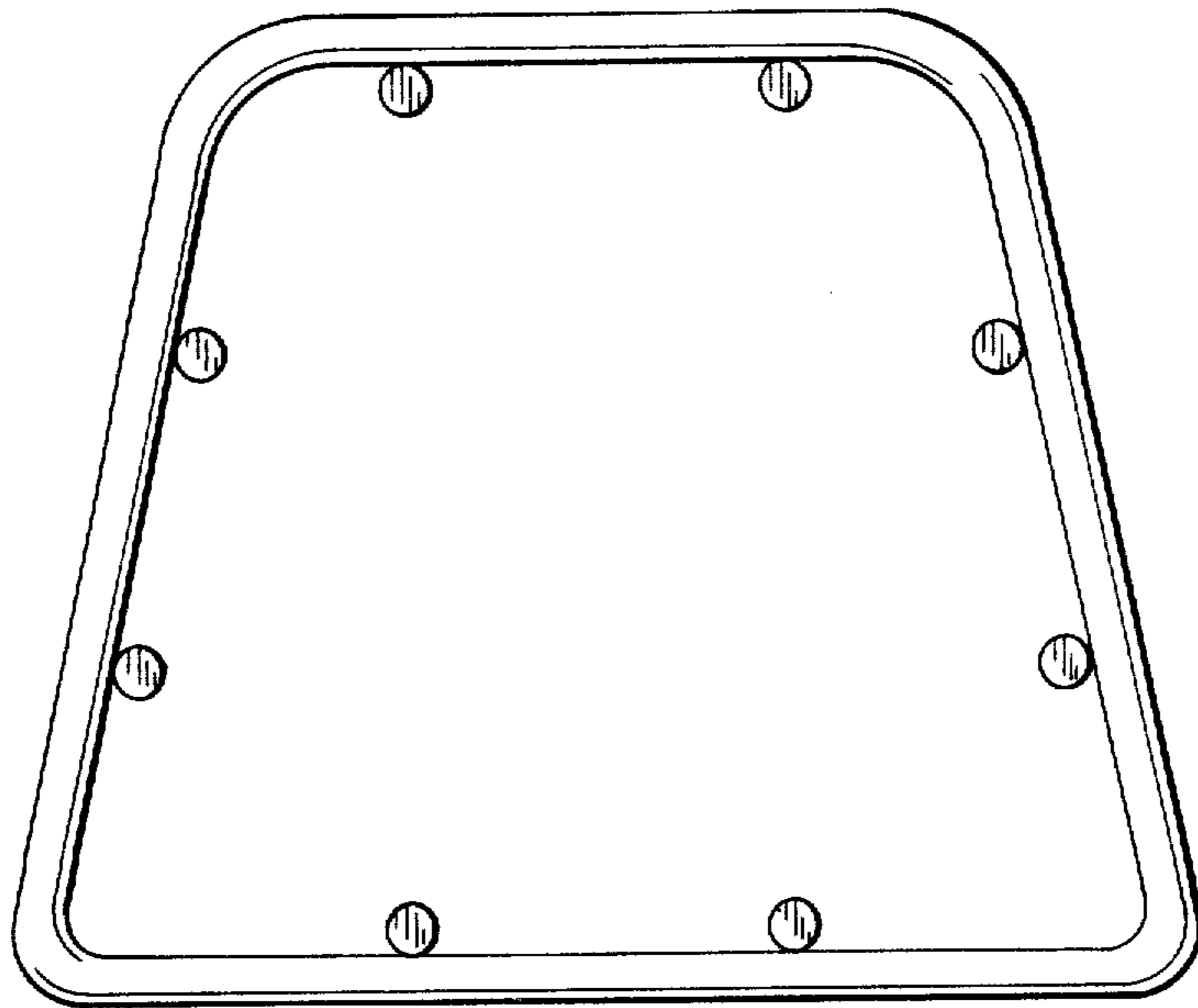


Fig.-4

