

[54] COMPARTMENTED STORAGE BOX

[75] Inventor: James P. Glasgow, Dallas, Tex.

[73] Assignee: Mary Kay Cosmetics, Inc., Dallas, Tex.

[**] Term: 14 Years

[21] Appl. No.: 944,593

[22] Filed: Sep. 21, 1978

[51] Int. Cl. D3-99

[52] U.S. Cl. D3/30.1; D3/74;
D9/347

[58] Field of Search D3/30, 39, 74, 75, 78;
D6/159, 160; D9/341, 347, 346; D99/50

[56] References Cited

U.S. PATENT DOCUMENTS

D. 144,859	5/1946	McKenzie	D6/159
D. 211,842	7/1968	Vilegi et al.	D99/50
D. 212,401	10/1968	Sanford	D3/74 X
D. 214,408	6/1969	Pintea	D3/75
D. 216,061	11/1969	Hughes	D3/74
D. 235,232	5/1975	Rickenbaker	D3/74 X
D. 241,016	8/1976	Reynold	D9/346
D. 251,213	2/1979	Rodin et al.	D3/74
2,119,313	5/1938	Burdge	D3/39

Primary Examiner—Robert C. Spangler
Attorney, Agent, or Firm—Kenneth R. Glaser

[57] CLAIM

The ornamental design for a compartmented storage box, substantially as shown and described.

DESCRIPTION

FIG. 1 is a perspective view of the top, left side, and front of a compartmented storage box, with the lid and drawers closed, showing my new design thereof;

FIG. 2 is a perspective view of the front, right side, and top thereof, with the lid open;

FIG. 3 is a perspective view of the top, left side, and front thereof, with the lid and two drawers open, the lower open drawer shown with dividers therein and the upper open drawer shown with the dividers removed;

FIG. 4 is a perspective view of the top; inside, and left side thereof, with the lid open;

FIG. 5 is a perspective view of the top, left side, and rear thereof, with the lid closed and showing all drawers closed;

FIG. 6 is a perspective view of the rear and bottom thereof;

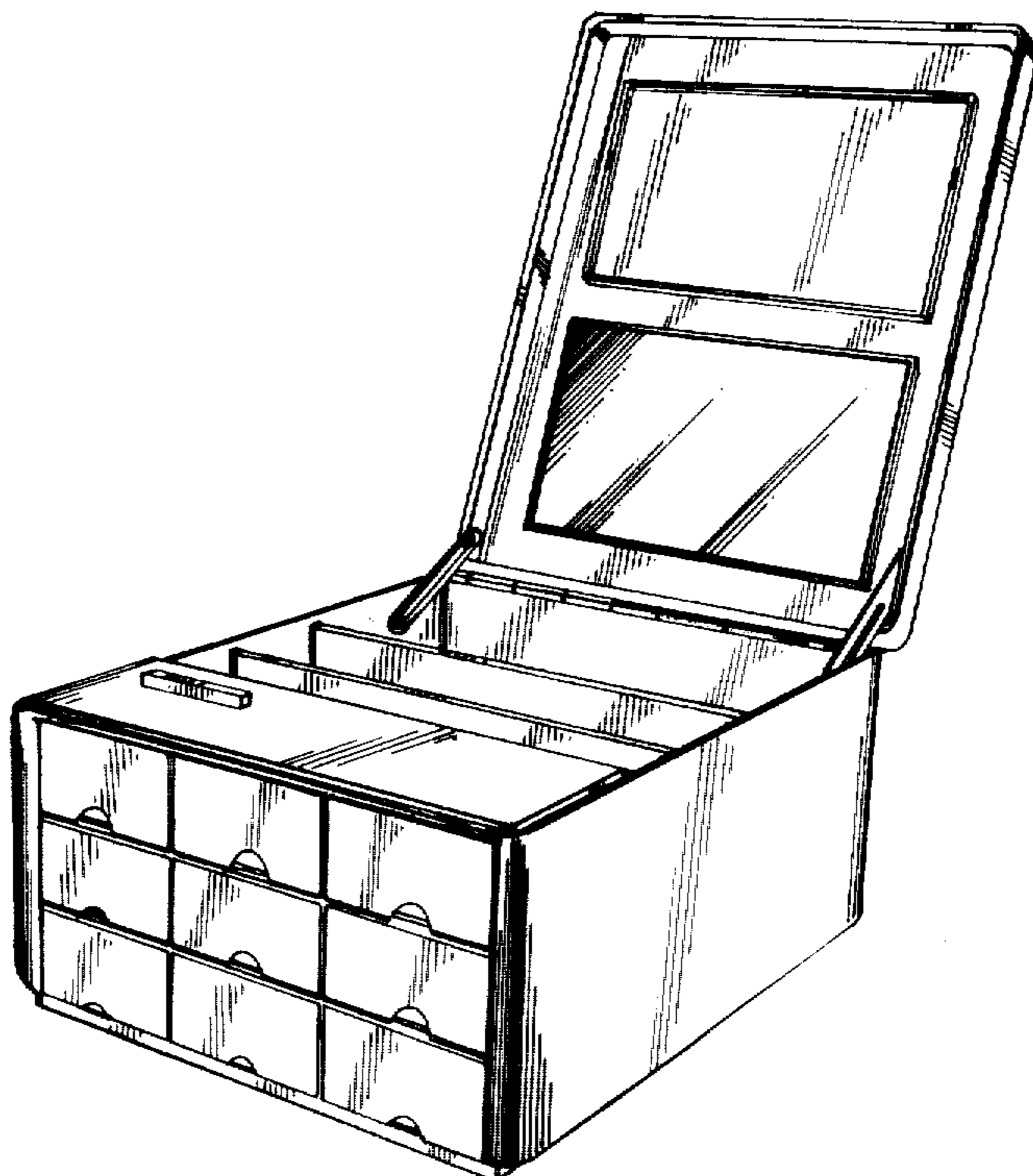
FIG. 7 is a front elevational view thereof with the lid and drawers closed;

FIG. 8 is a top plan view thereof with the hinge omitted for convenience of illustration;

FIG. 9 is a bottom plan view thereof, with the hinge omitted for convenience of illustration;

FIG. 10 is an elevational view looking from the left of FIG. 7; and

FIG. 11 is an elevational view looking from the right side of FIG. 7.



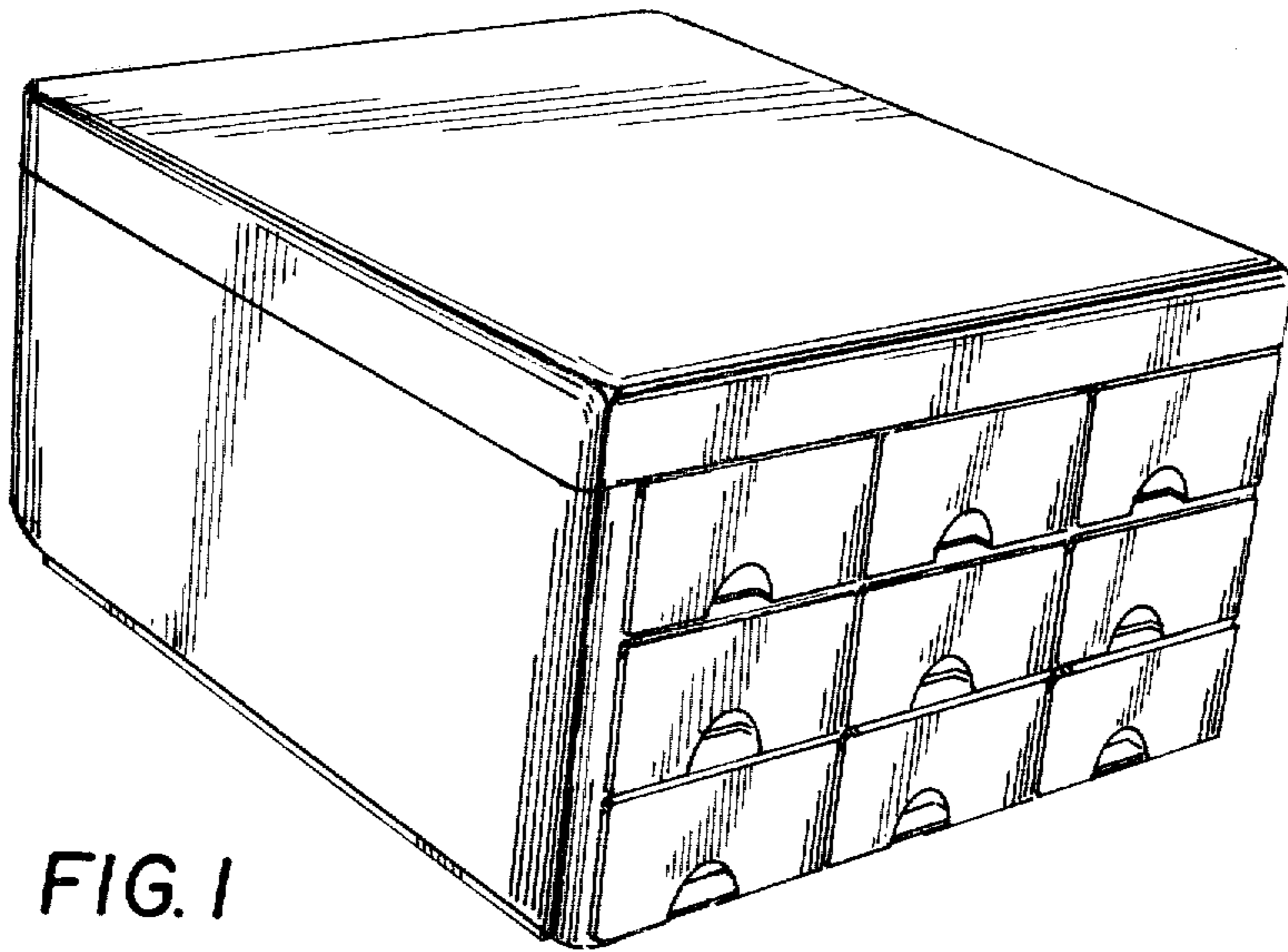


FIG. 1

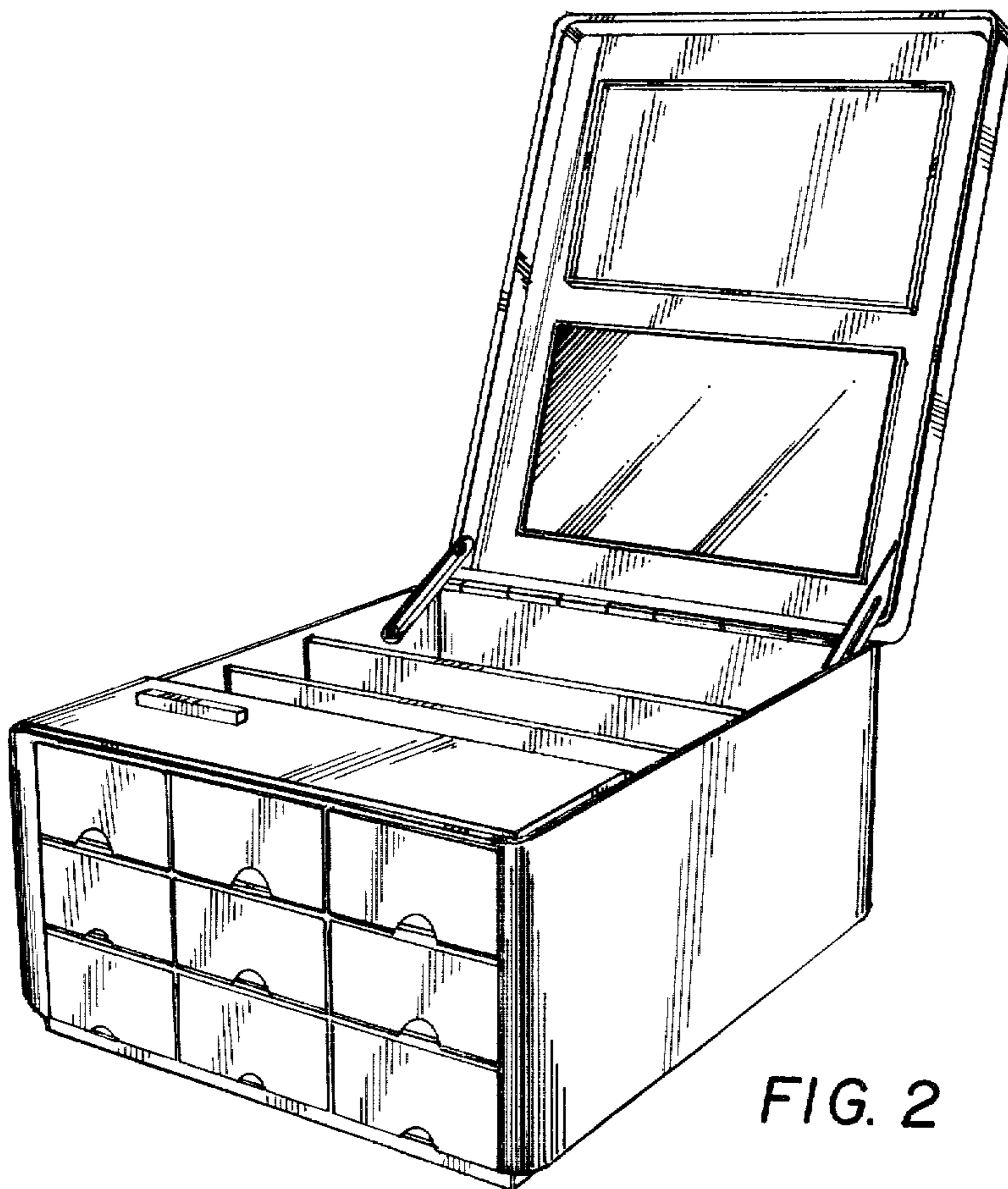


FIG. 2

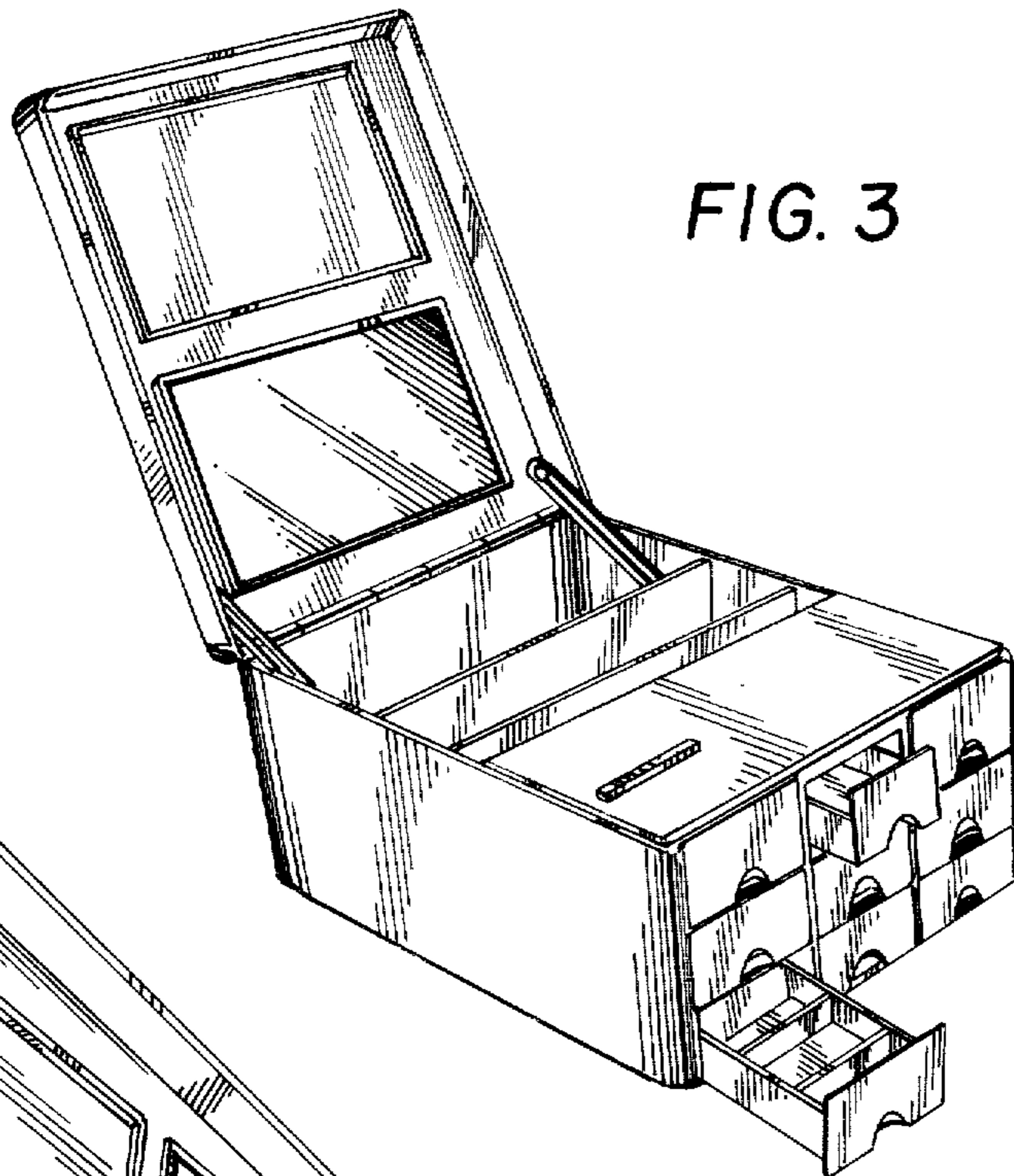


FIG. 3

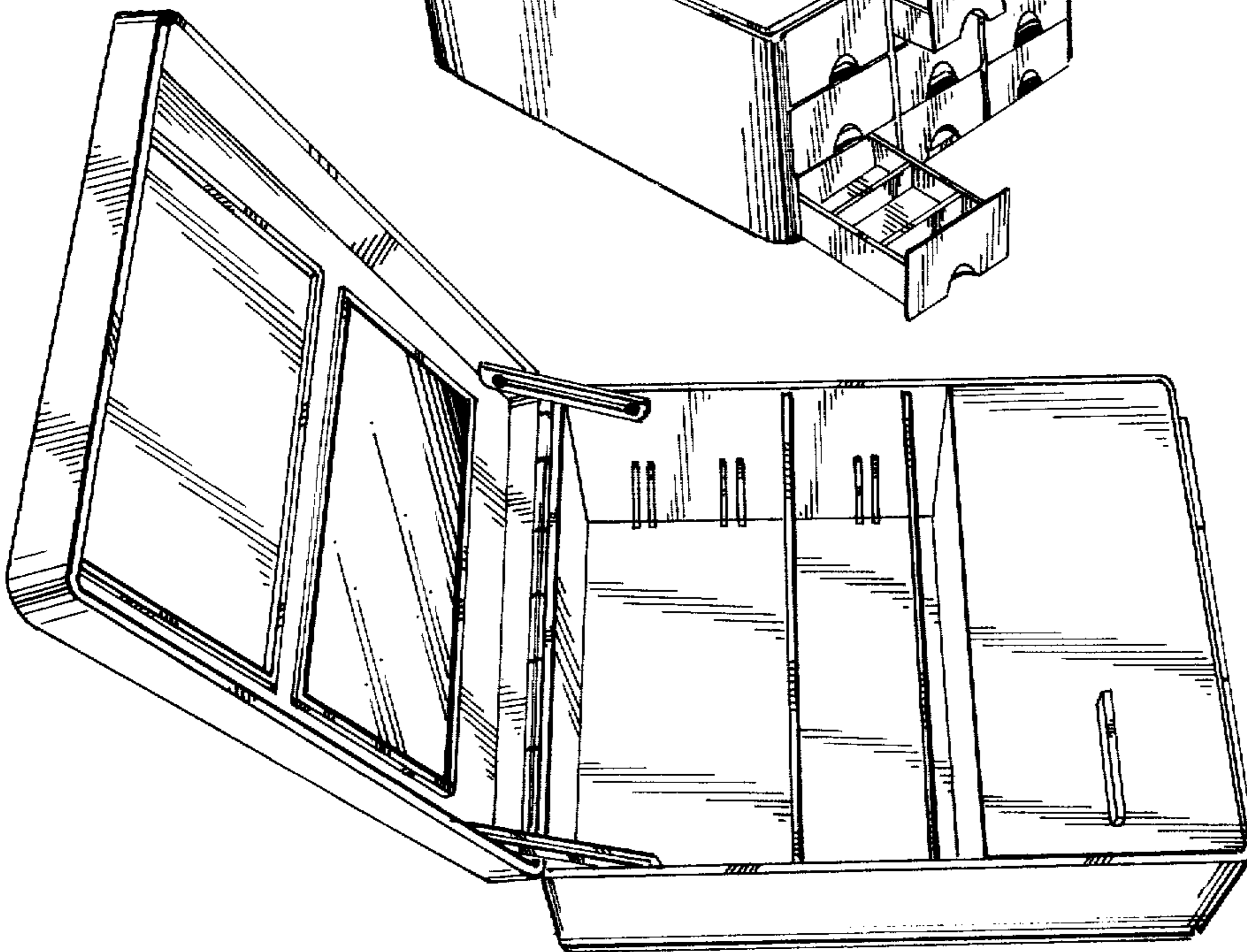


FIG. 4

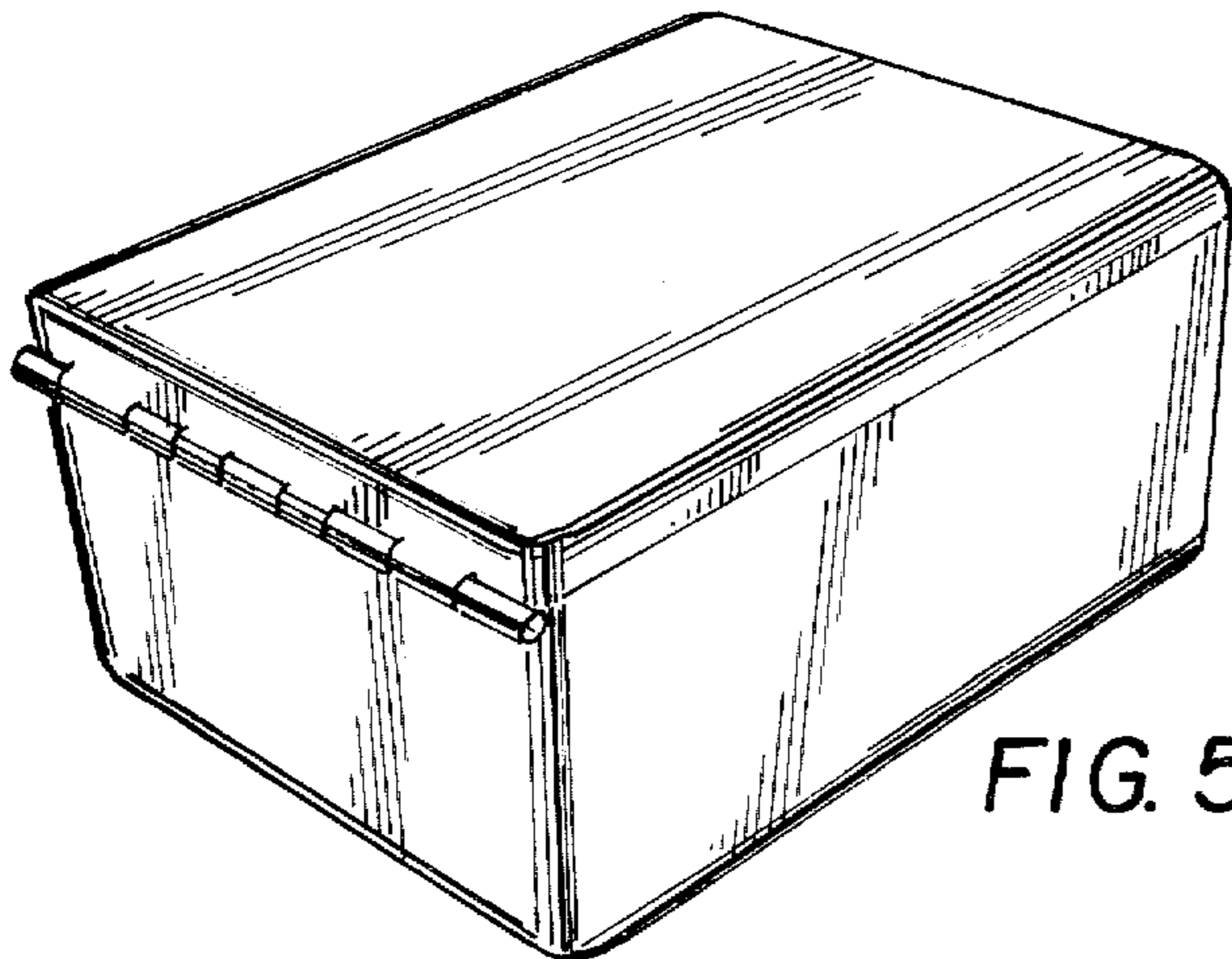


FIG. 5

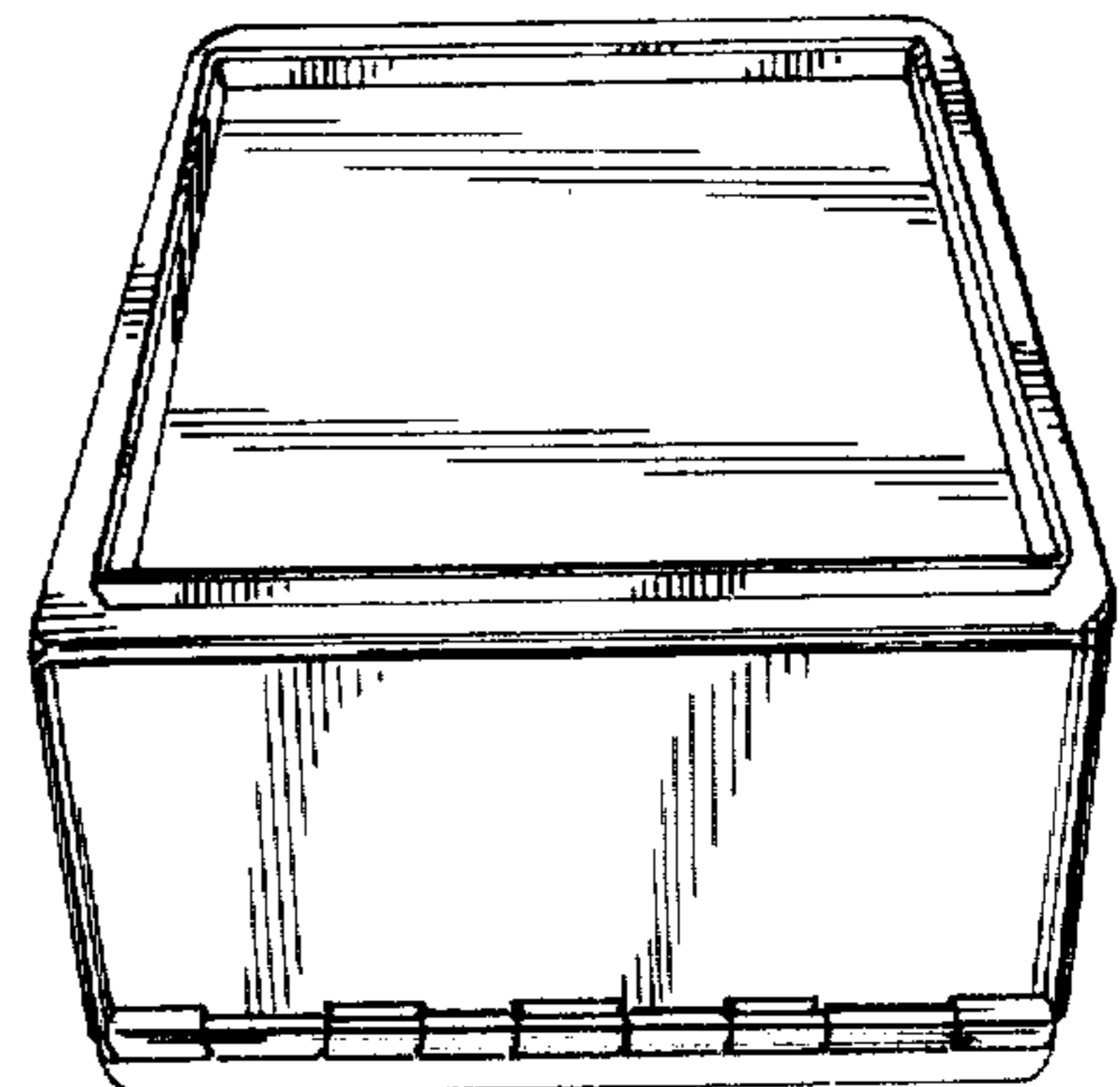


FIG. 6

FIG. 7

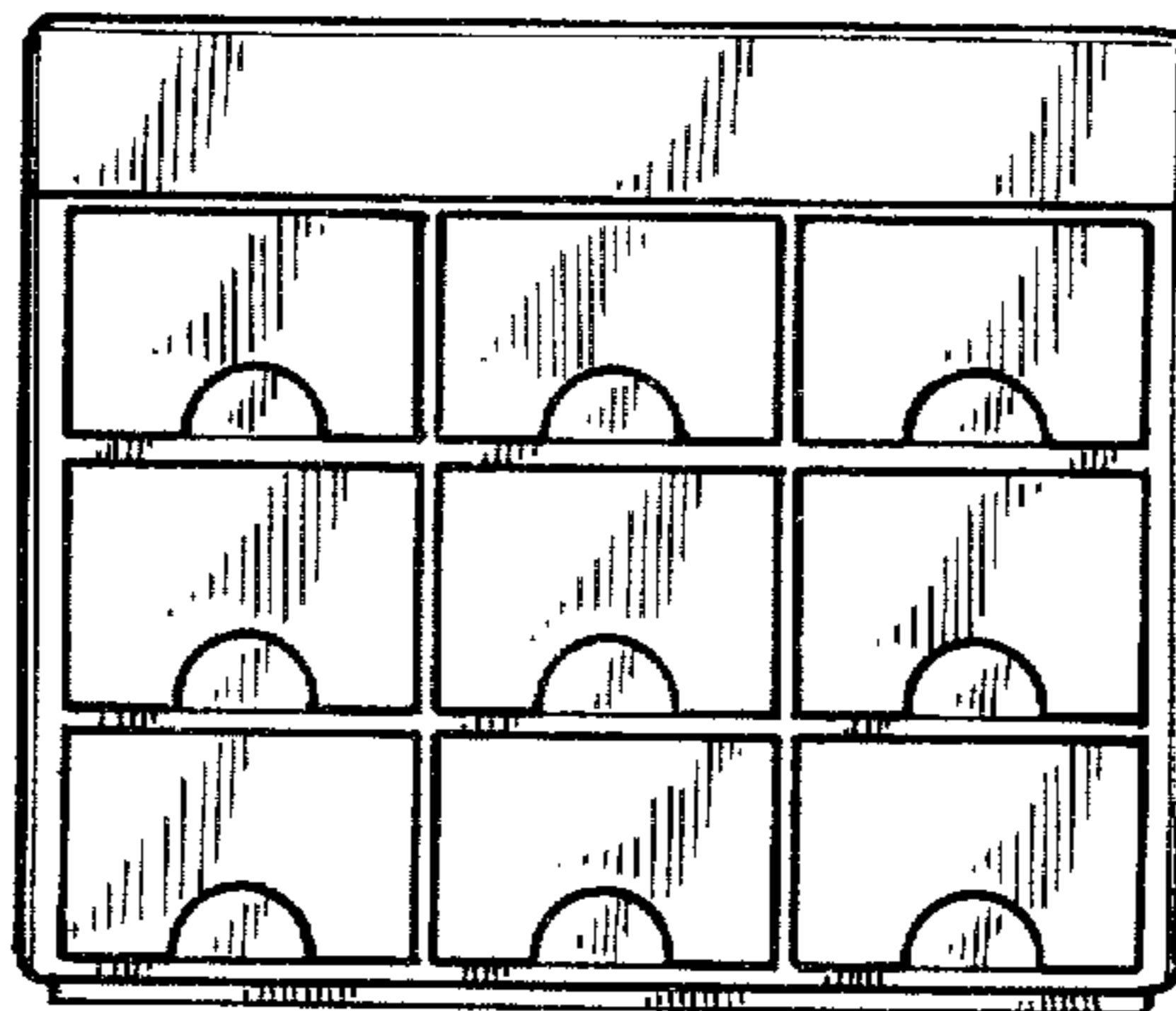


FIG. 8

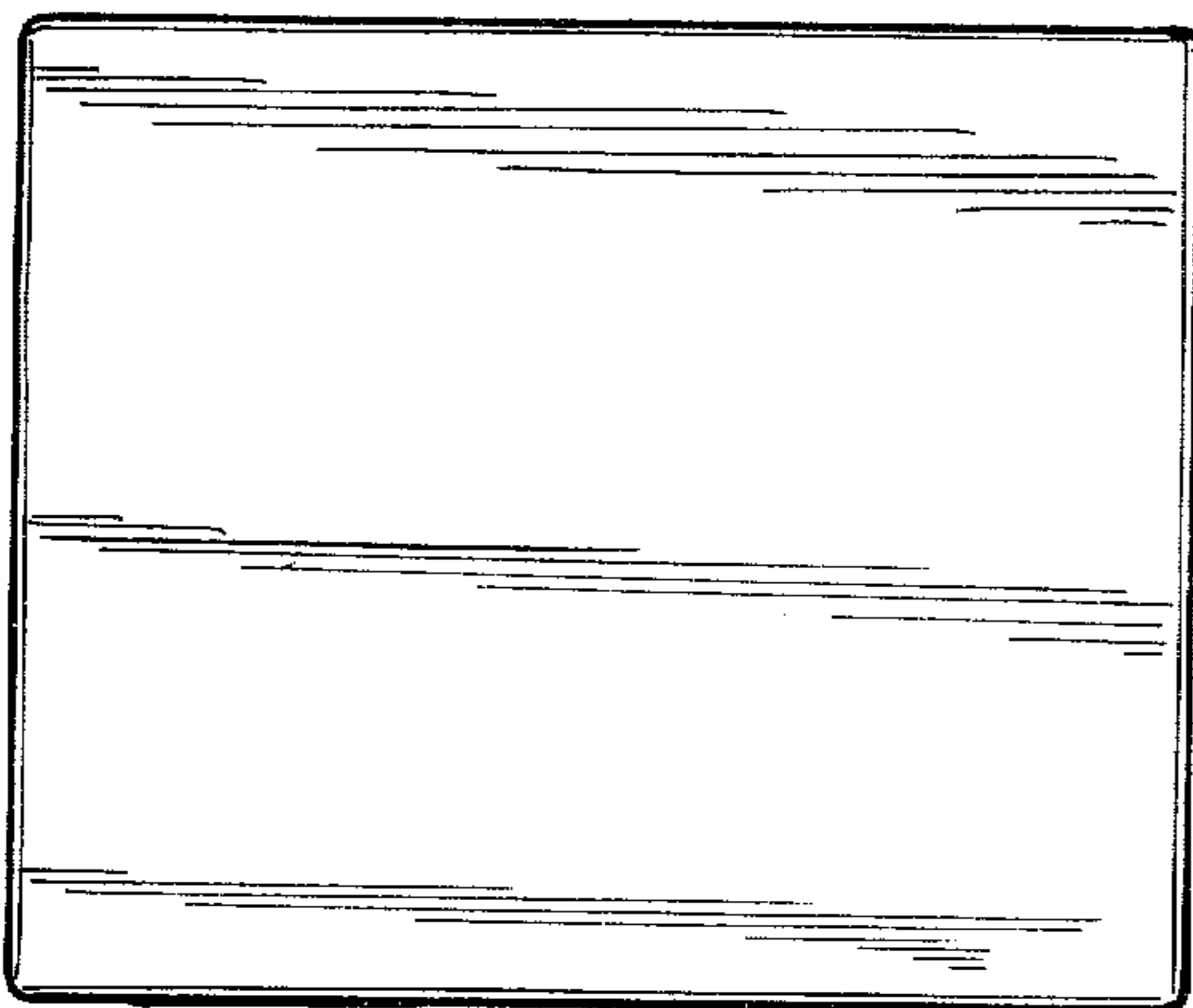


FIG. 9

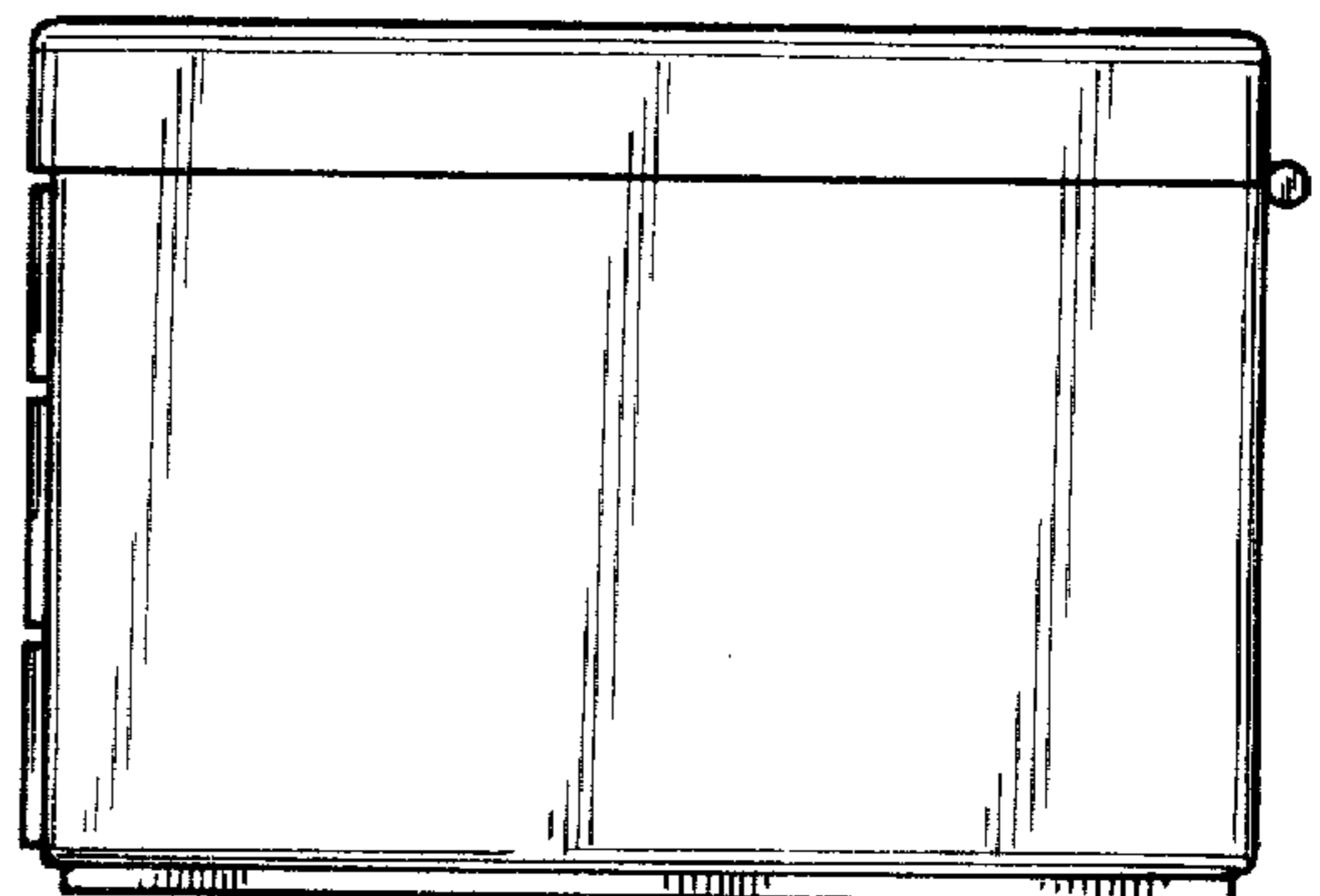
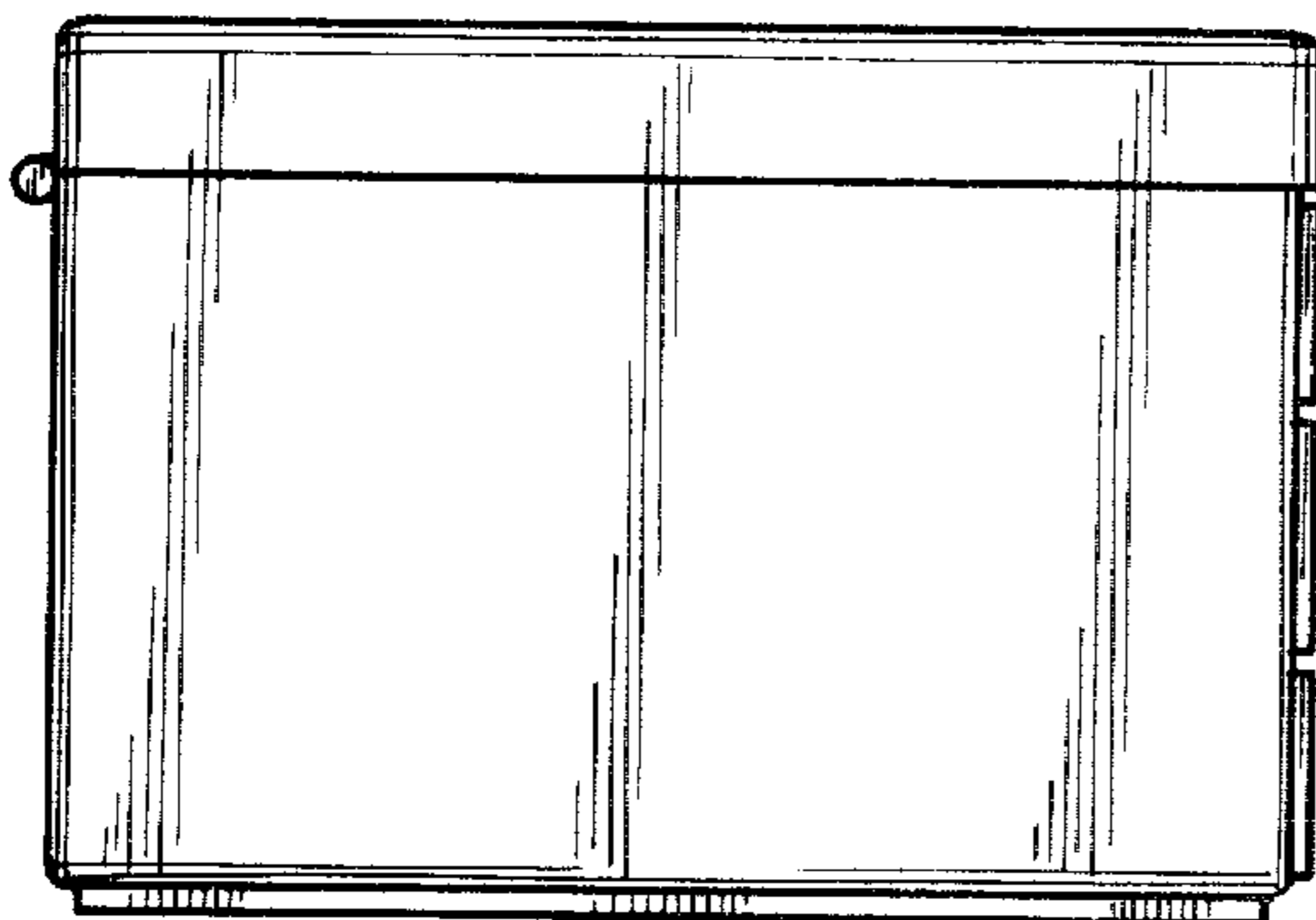
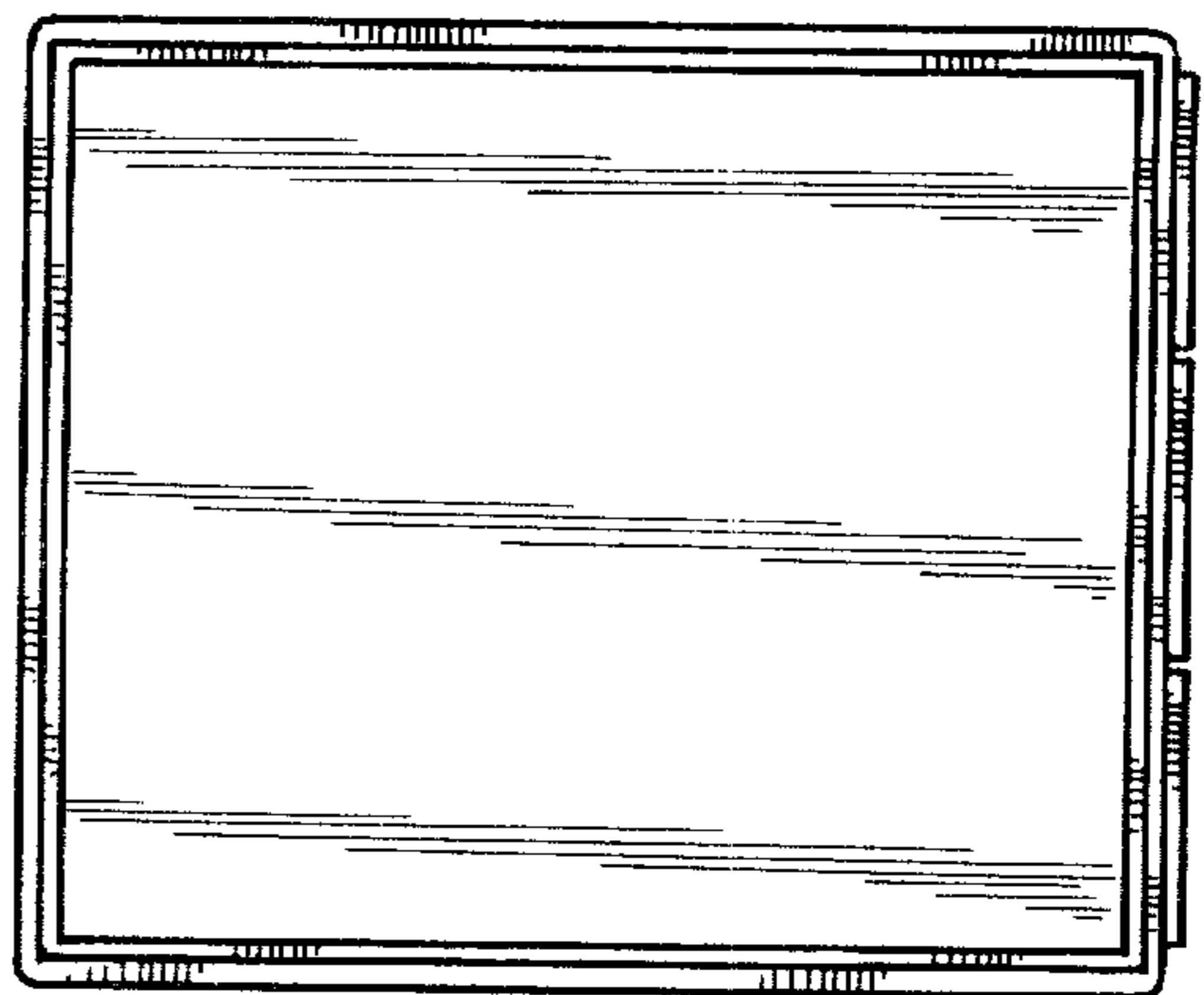


FIG. 10

FIG. 11