

[54] ELECTROLYSIS HAIR REMOVAL KIT

[75] Inventor: Samuel J. Mann, Englewood, N.J.

[73] Assignee: Inverness International, Englewood, N.J.

[**] Term: 14 Years

[21] Appl. No.: 70,767

[22] Filed: Aug. 30, 1979

[51] Int. Cl. D24-02

[52] U.S. Cl. D24/26; D24/8; D19/36; D19/51

[58] Field of Search 128/305.17, 305.18, 128/303.18, 303.19; D24/26, 17, 8; D19/51, 36

[56] References Cited

U.S. PATENT DOCUMENTS

- D. 189,113 10/1960 Lemos D24/26
- D. 230,430 2/1974 Pulos D24/17

- D. 236,977 9/1975 Hocq D19/51
- D. 254,150 2/1980 Barton et al. D24/26
- D. 255,266 6/1980 Roberts D24/8
- 1,858,104 5/1932 Miles 128/303.19
- 1,906,802 5/1933 Miller 128/303.19
- 4,174,713 11/1979 Mehl 128/303.17 X

Primary Examiner—Bernard Ansher
Attorney, Agent, or Firm—Blum, Kaplan, Friedman, Silberman & Beran

[57] CLAIM

The ornamental design for an electrolysis hair removal kit, as shown and described.

DESCRIPTION

FIG. 1 is a top perspective view of an electrolysis hair removal kit;
FIG. 2 is a bottom perspective view thereof;
FIG. 3 is a top exploded perspective view thereof; and
FIG. 4 is a top exploded perspective view of a modified embodiment of the kit illustrated in FIG. 3.

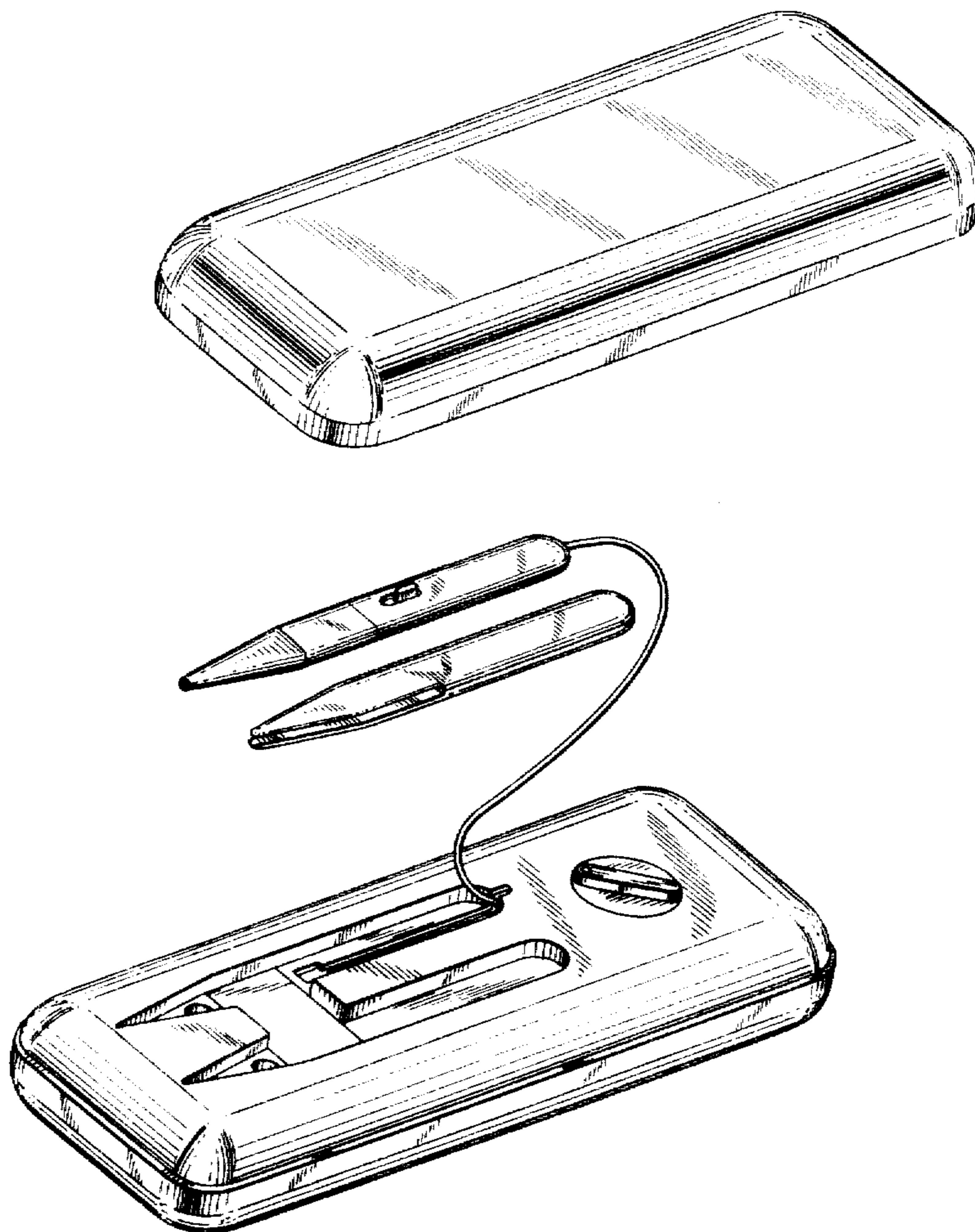


FIG. 1

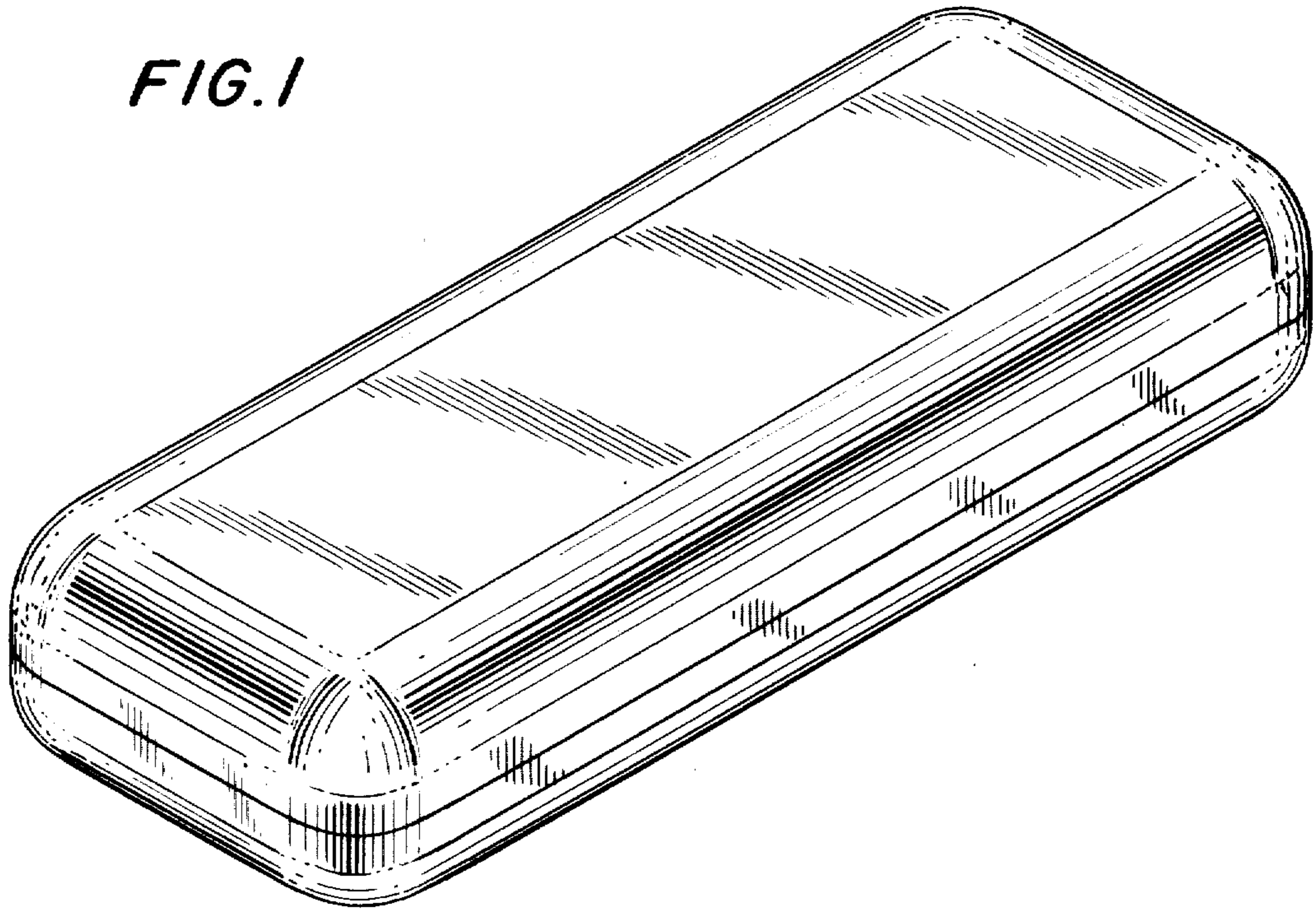


FIG. 2

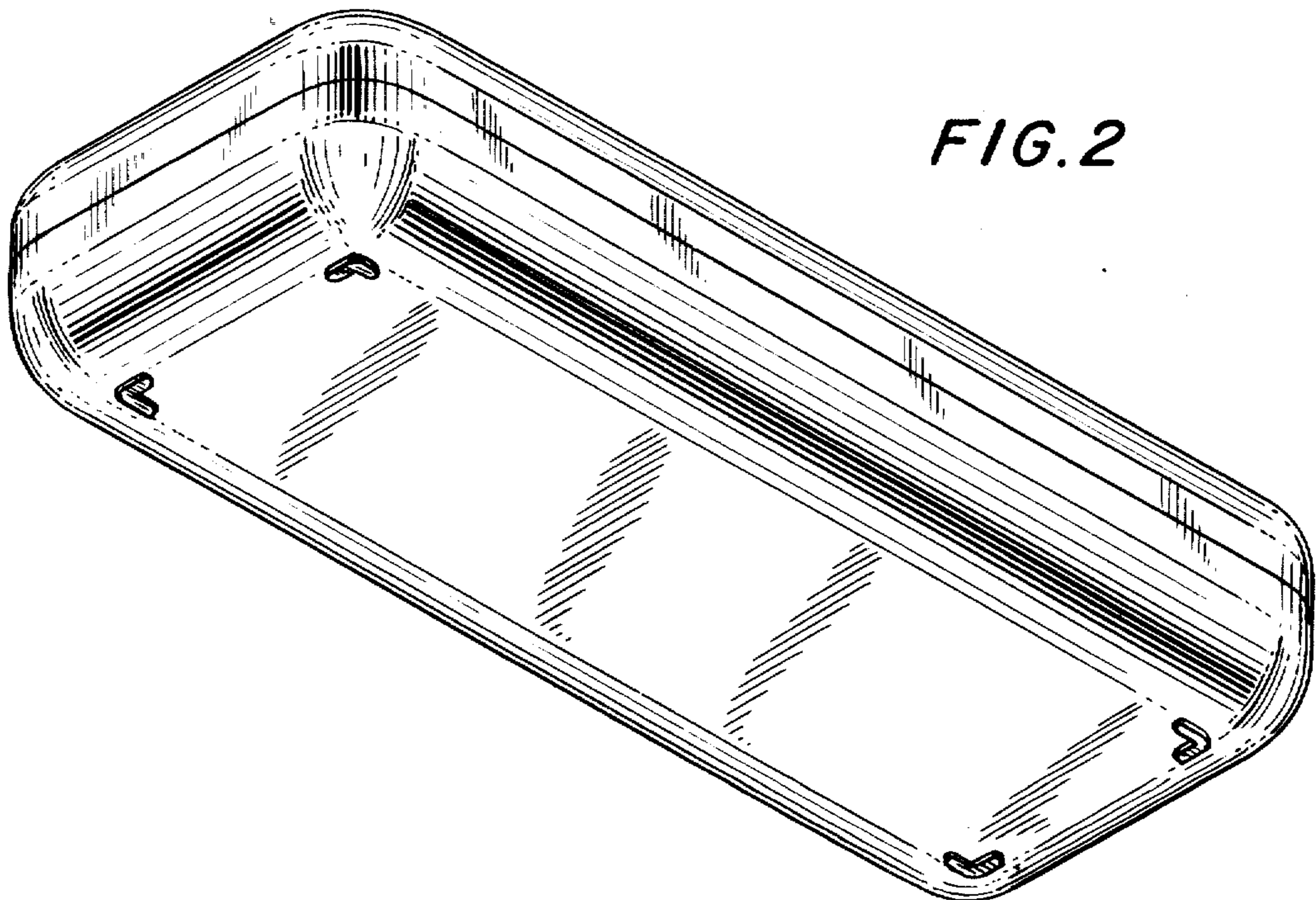


FIG. 3

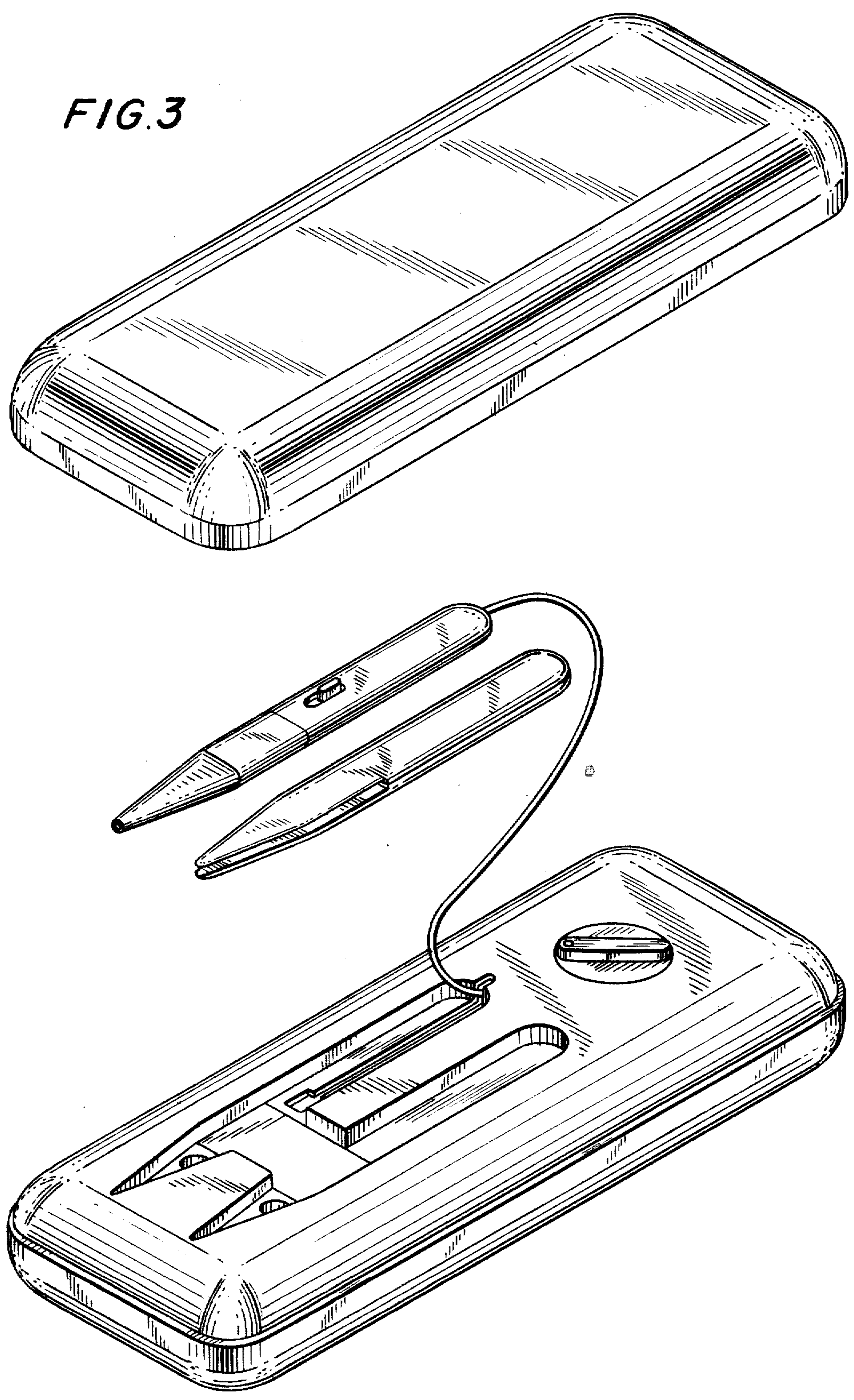


FIG. 4

