

[54] **ROOT CANAL SCREW**

[75] Inventor: **Svante R. Edwardson**, Solna, Sweden

[73] Assignee: **AB Dentatus**, Hagersten, Sweden

[**] Term: **14 Years**

[21] Appl. No.: **60,404**

[22] Filed: **Jul. 24, 1979**

[51] Int. Cl. **D24—02; D8—02**

[52] U.S. Cl. **D24/16; D8/38**

[58] Field of Search 433/220, 221; D8/387;
85/53; 411/402, 373, 371, 377; D24/7, 16

3,524,255 8/1970 Kurer 433/221
3,656,236 4/1972 Kurer 433/221

OTHER PUBLICATIONS

Design Fasteners Book, Mar. 1963, p. 297, Rapidril, Self Drilling, Tapping Screw.

Primary Examiner—Bernard Ansher
Attorney, Agent, or Firm—Young & Thompson

[57] **CLAIM**

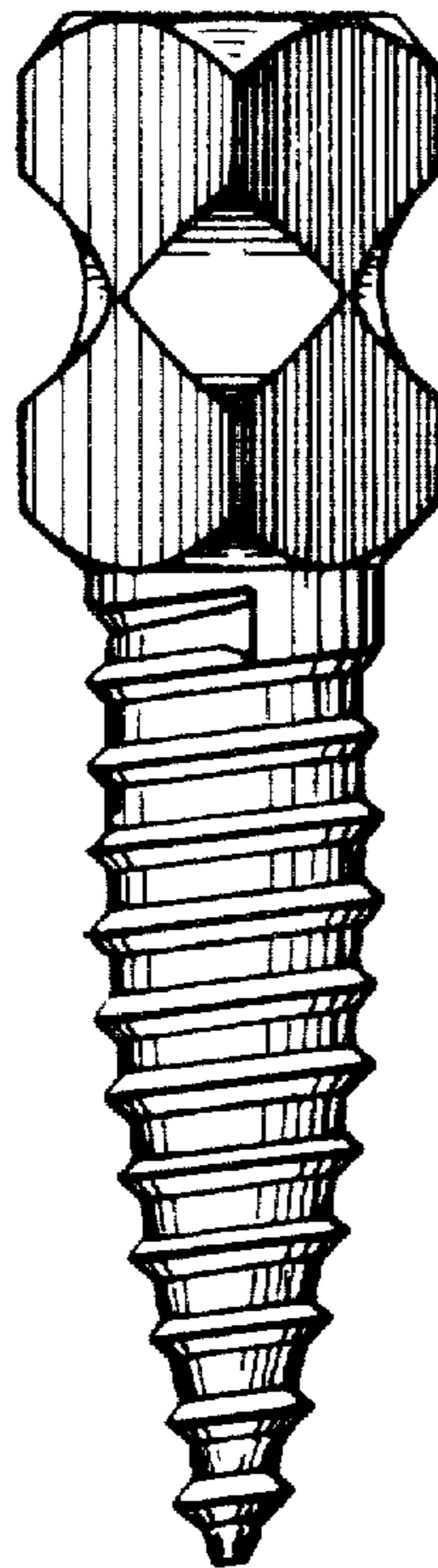
The ornamental design for a root canal screw, as shown.

DESCRIPTION

FIG. 1 is an elevational view of a root canal screw showing my new design;
FIG. 2 is elevational view thereof, rotated 135° from the position of FIG. 1; and
FIG. 3 is a top plan view thereof.

[56] **References Cited**
U.S. PATENT DOCUMENTS

965,246 7/1910 Stallman 433/221
1,139,028 5/1915 Gibson 433/221



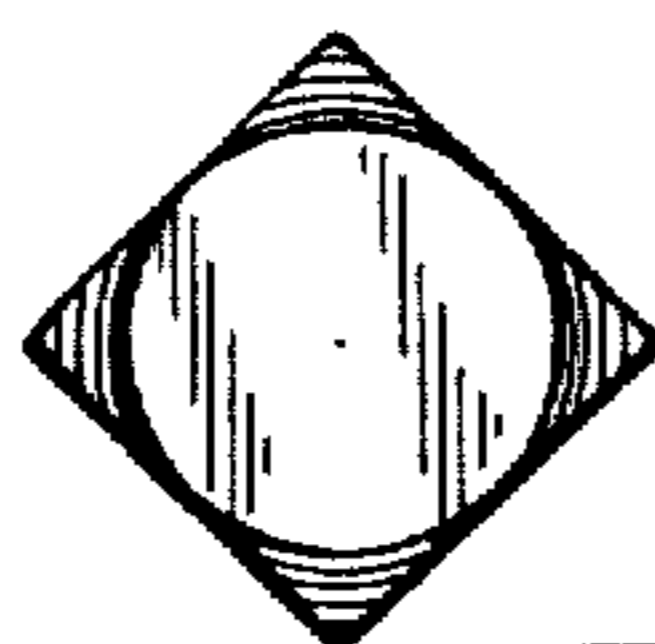
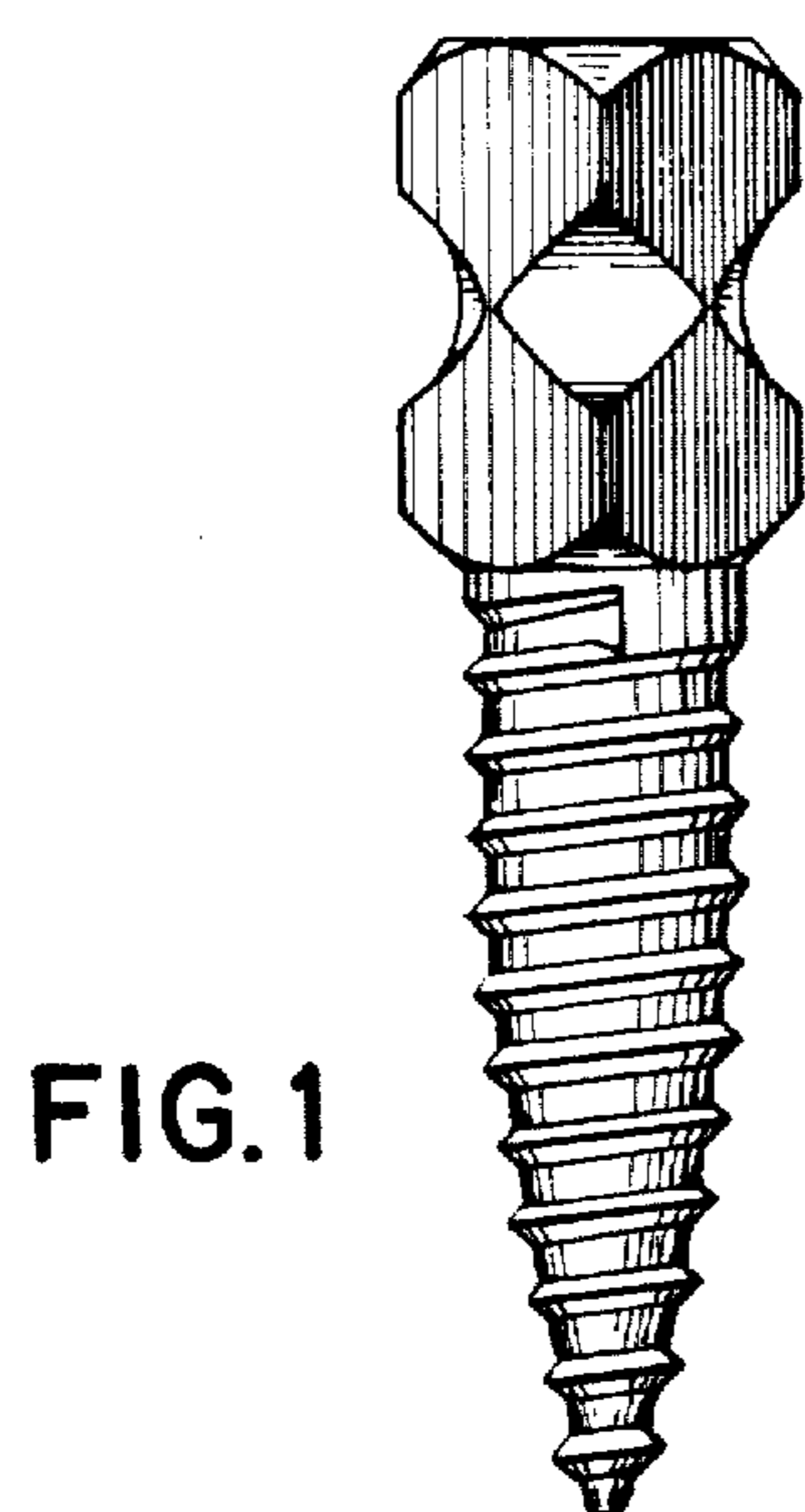


FIG. 3