

[54] MEDICAL MULTIPORT VALVE COCK

[75] Inventor: Iwao Matsuura, Osaka, Japan

[73] Assignee: Nissho Corporation, Osaka, Japan

[\*\*] Term: 14 Years

[21] Appl. No.: 30,640

[22] Filed: Apr. 16, 1979

[51] Int. Cl. .... D23—01; D24—02

[52] U.S. Cl. .... D24/53; D23/19

[58] Field of Search ..... 137/884, 608; D23/19, D23/20, 21; D24/53; 128/350 V, 274

[56] References Cited

U.S. PATENT DOCUMENTS

D. 199,488	11/1964	Beall	.....	D24/53
D. 237,882	12/1975	Yamasaki	.....	D23/19
2,931,387	4/1960	Fleming	.....	137/884
3,542,073	11/1970	Holbrook	.....	137/884
3,707,989	1/1973	Jullien-Davin	.....	137/884

OTHER PUBLICATIONS

Monitoring and Medical Specialty Products, Medex Inc., 1976, Stopcock Valves.

The Medex Line of Expandable Medical Hospital Products, Medex Inc., 1976, Stopcock Valves.

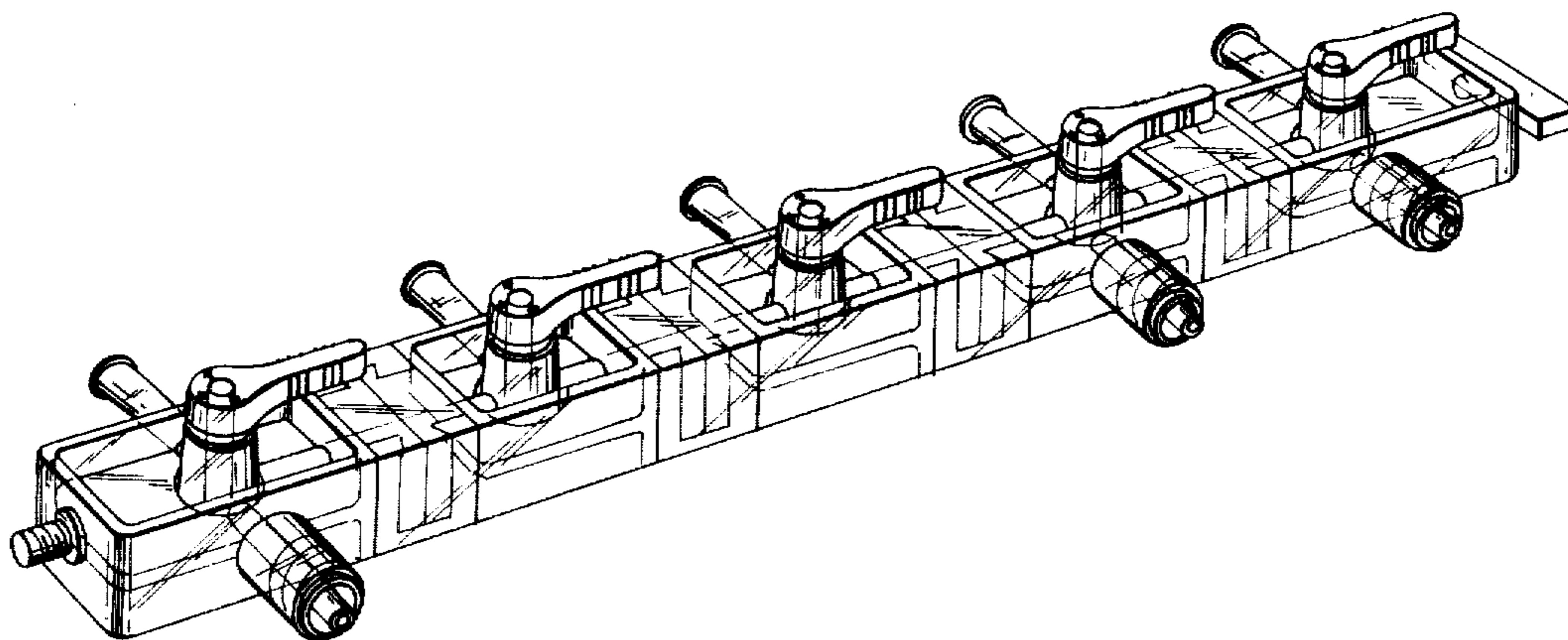
Primary Examiner—Bernard Ansher  
Attorney, Agent, or Firm—Armstrong, Nikaido, Marmelstein & Kubovcik

[57] CLAIM

The ornamental design for a medical multiport valve cock, as shown and described.

DESCRIPTION

FIG. 1 is a front elevation of a medical multiport valve cock, showing my new design;  
 FIG. 2 is a rear elevation thereof;  
 FIG. 3 is a top plan view thereof;  
 FIG. 4 is a bottom plan view thereof;  
 FIG. 5 is a left side elevation thereof;  
 FIG. 6 is a right side elevation thereof;  
 FIG. 7 is a top perspective view thereof;  
 FIG. 8 is an enlarged cross-section taken on line 8—8 of FIG. 3;  
 FIG. 9 is an enlarged cross-section taken on line 9—9 of FIG. 1;  
 FIG. 10 is an enlarged cross-section taken on line 10—10 of FIG. 1;  
 FIG. 11 is an enlarged cross-section taken on line 11—11 of FIG. 1; and  
 FIG. 12 is a fragmentary exploded perspective view taken at an enlarged scale.



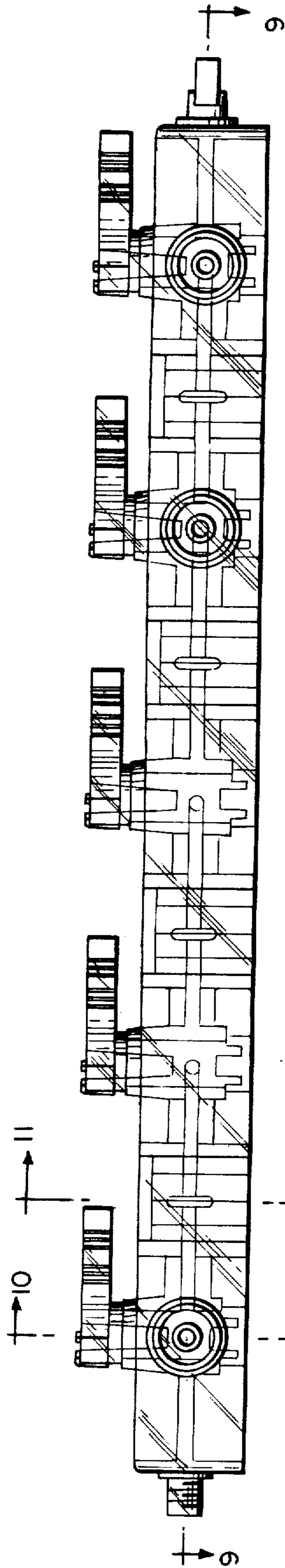


FIG. 1

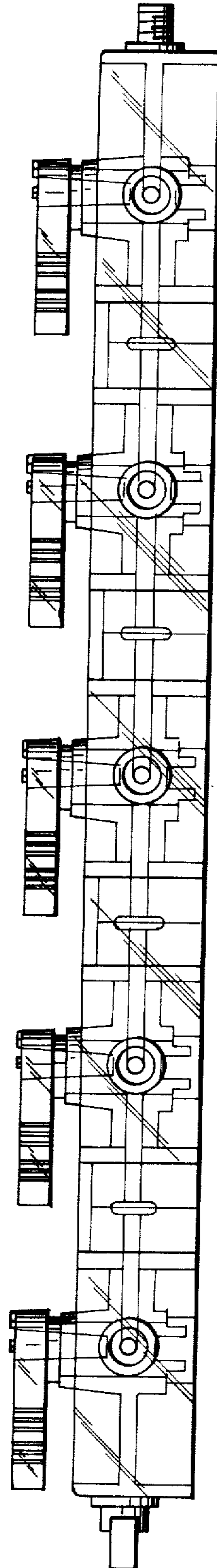


FIG. 2

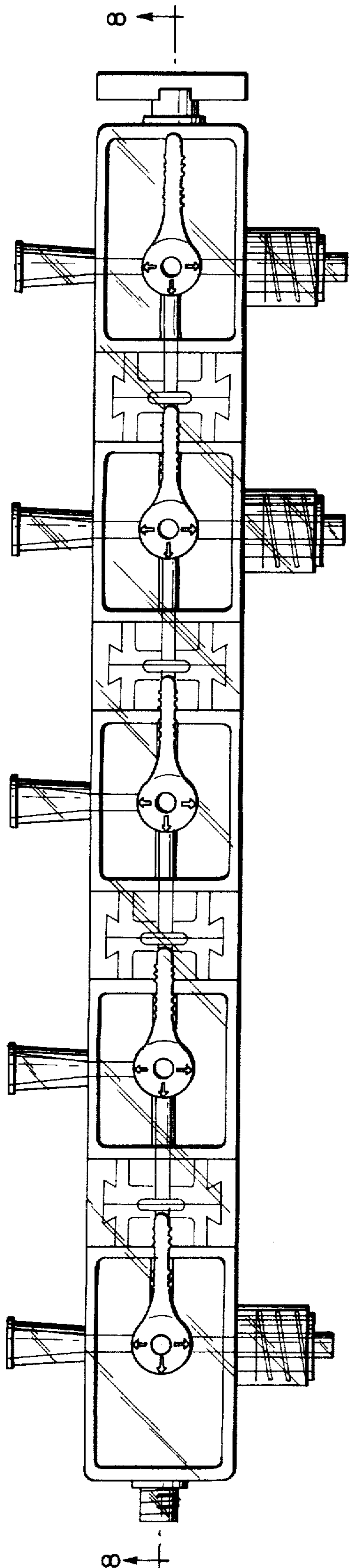


FIG. 3

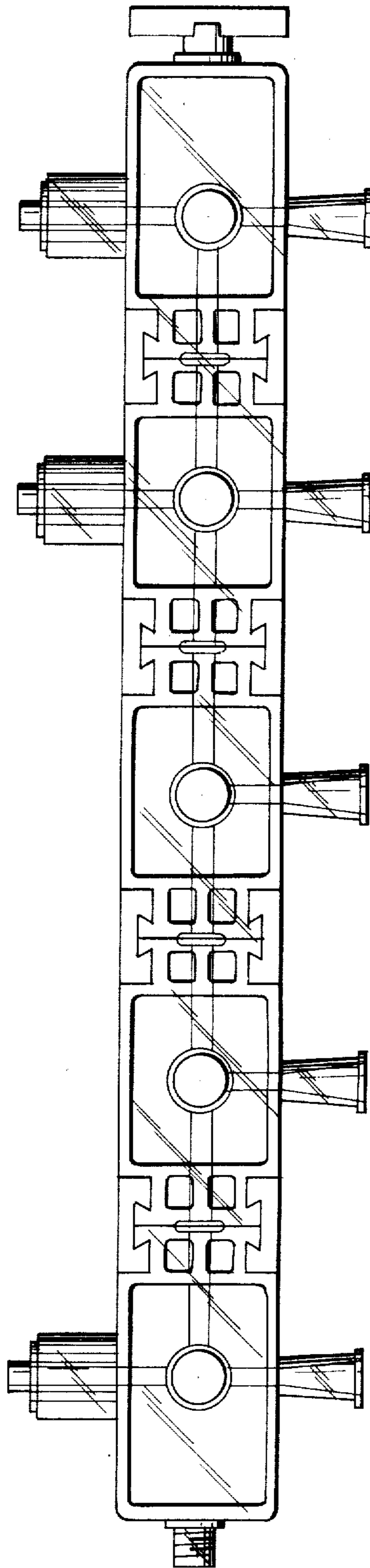
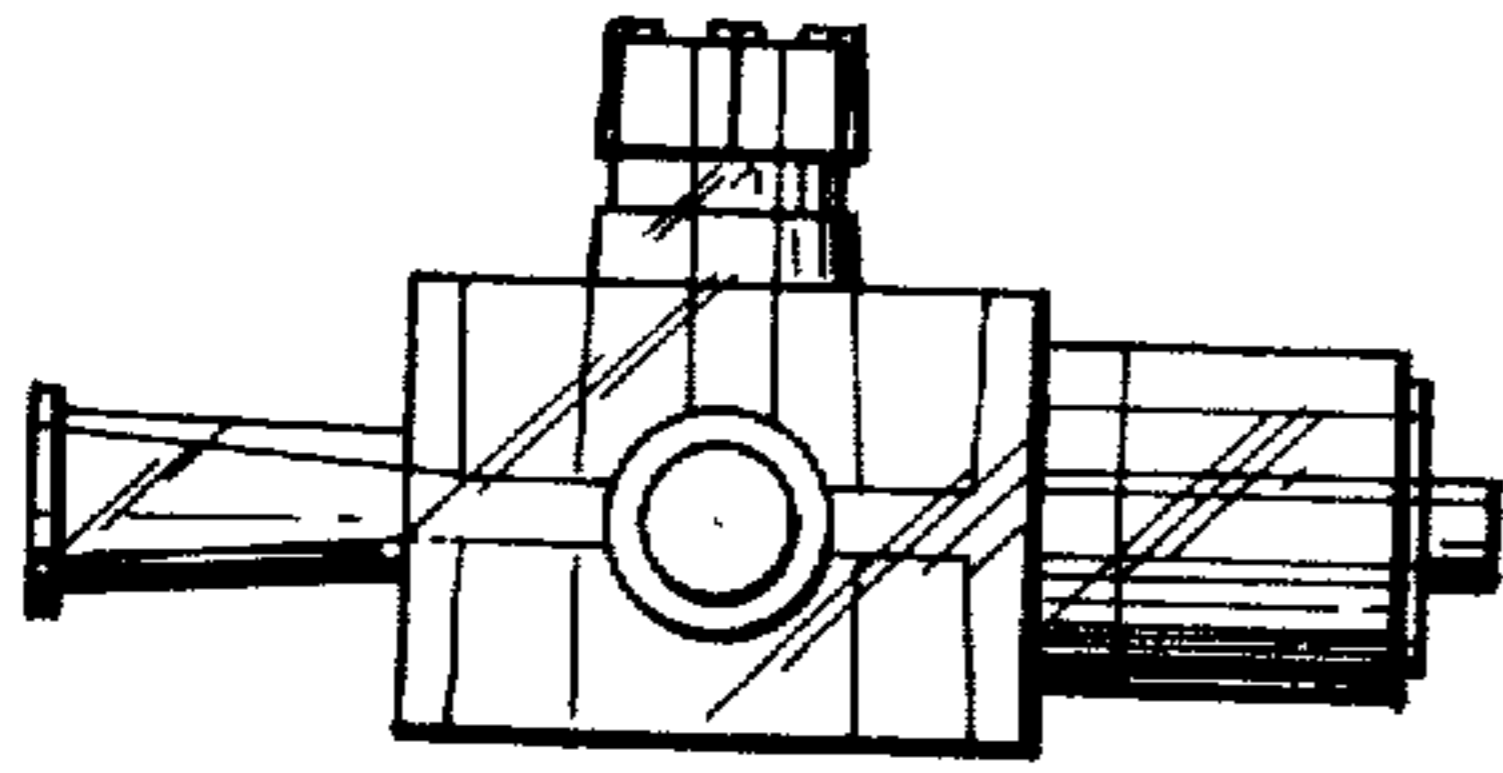
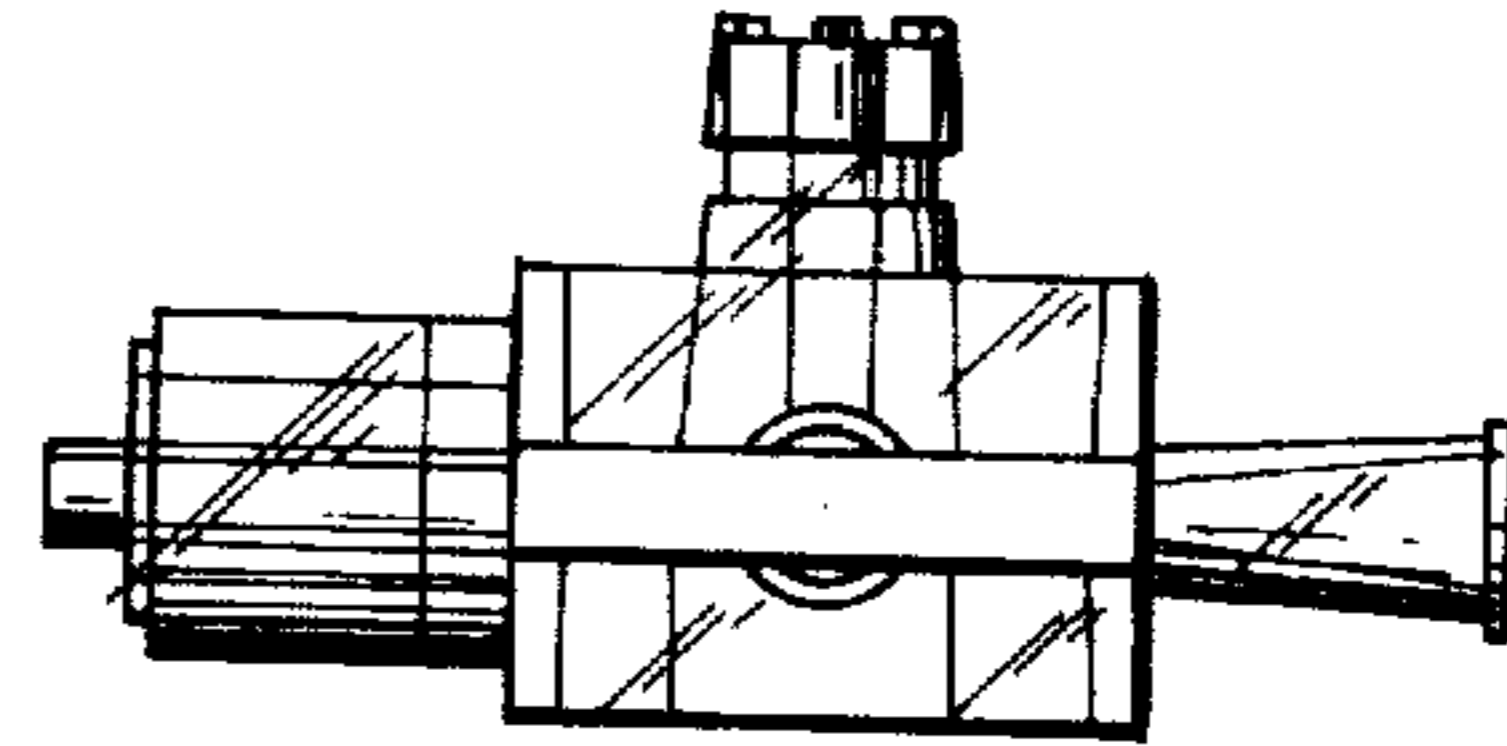


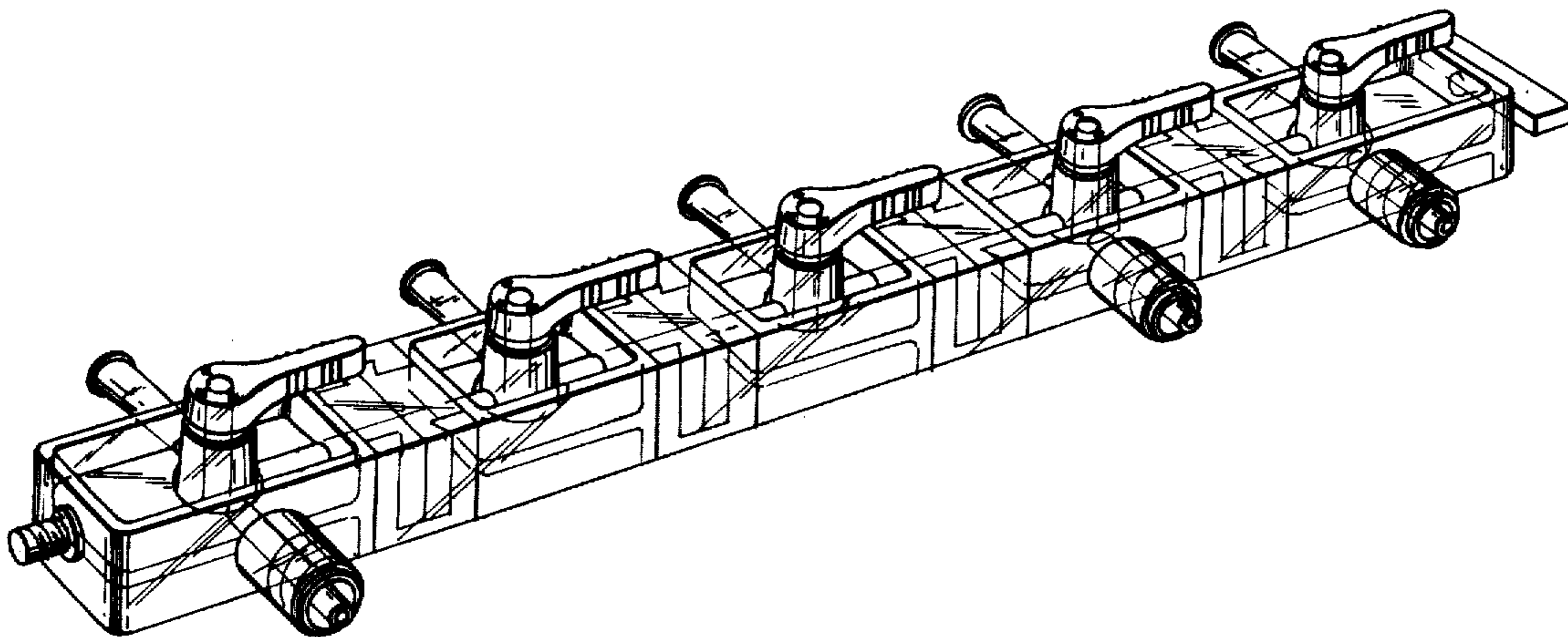
FIG. 4



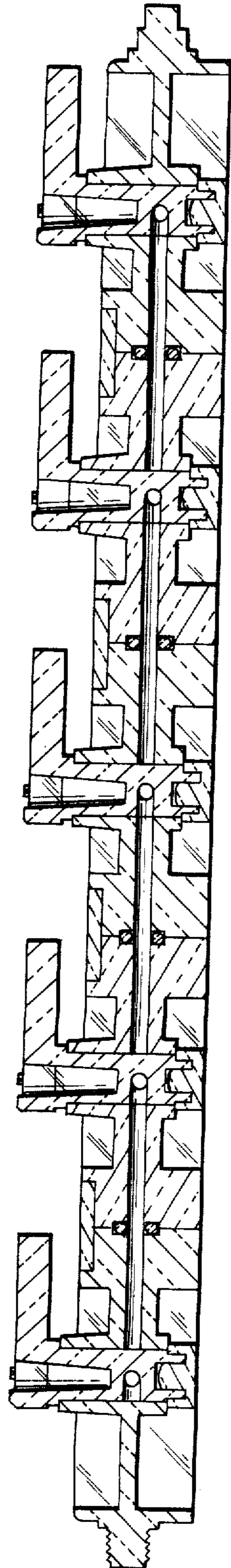
*FIG. 5*



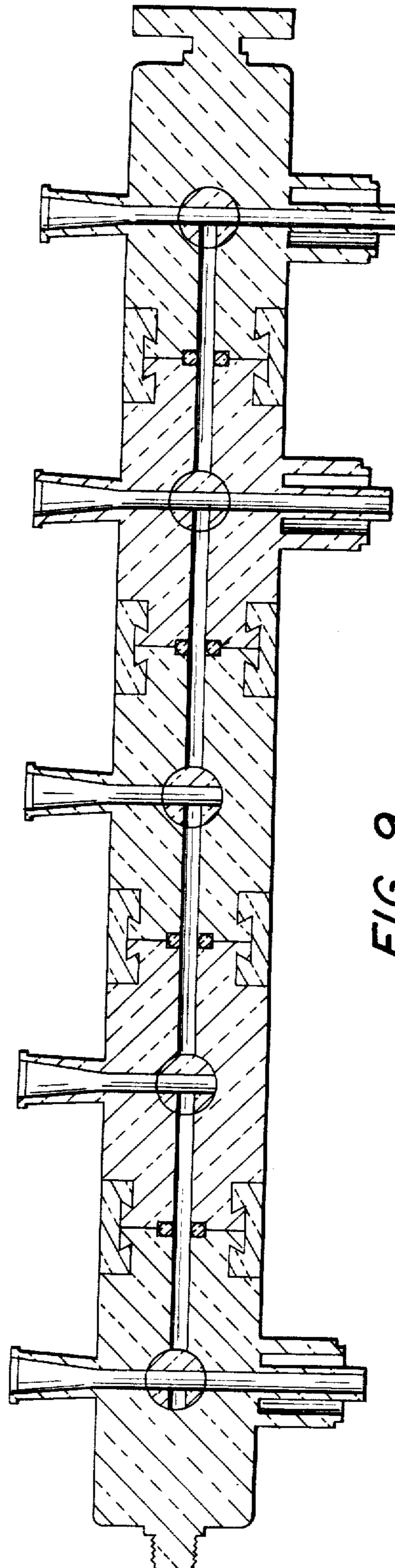
*FIG. 6*



*FIG. 7*



*FIG. 8*



*FIG. 9*

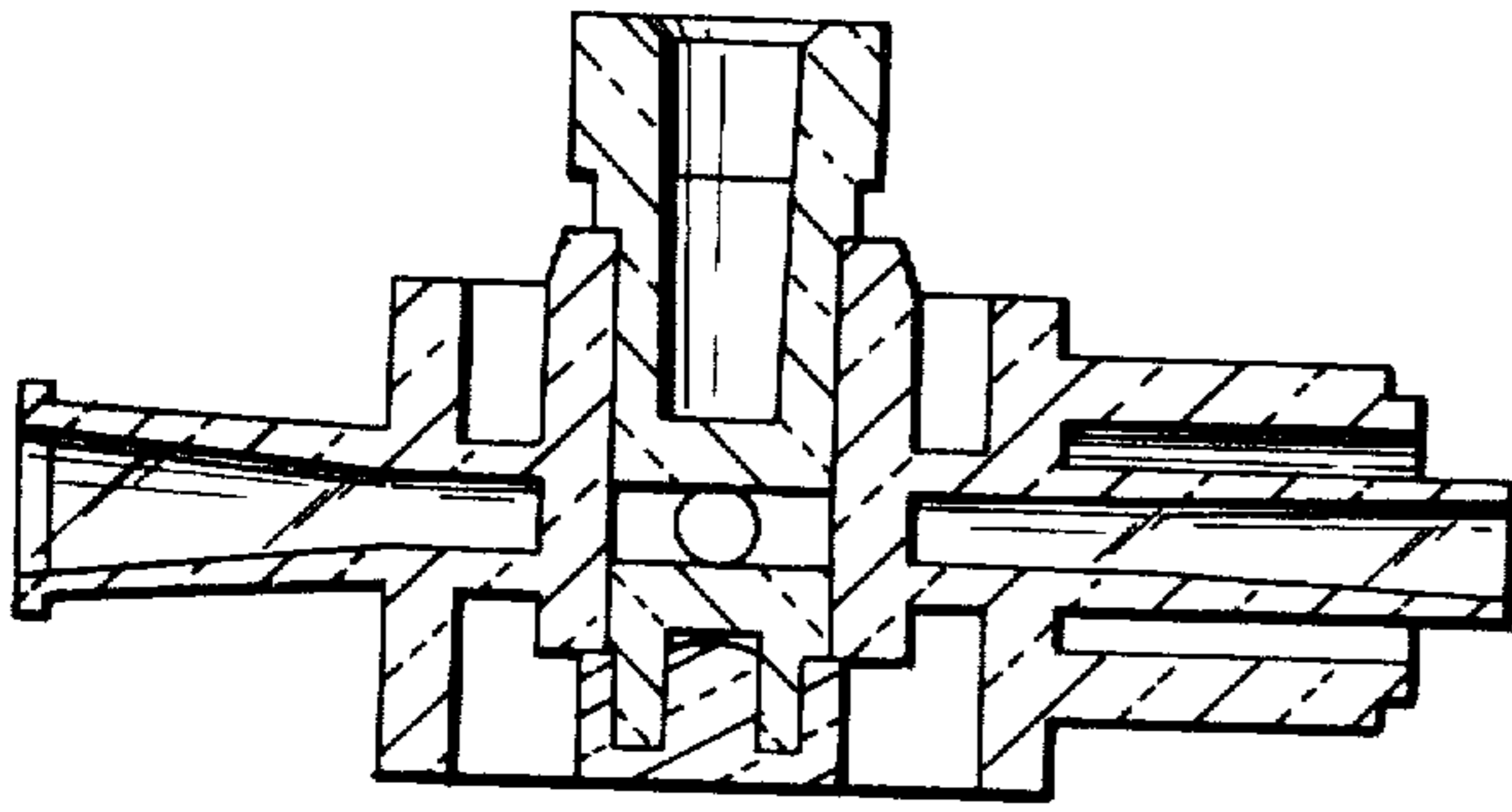


FIG. 10

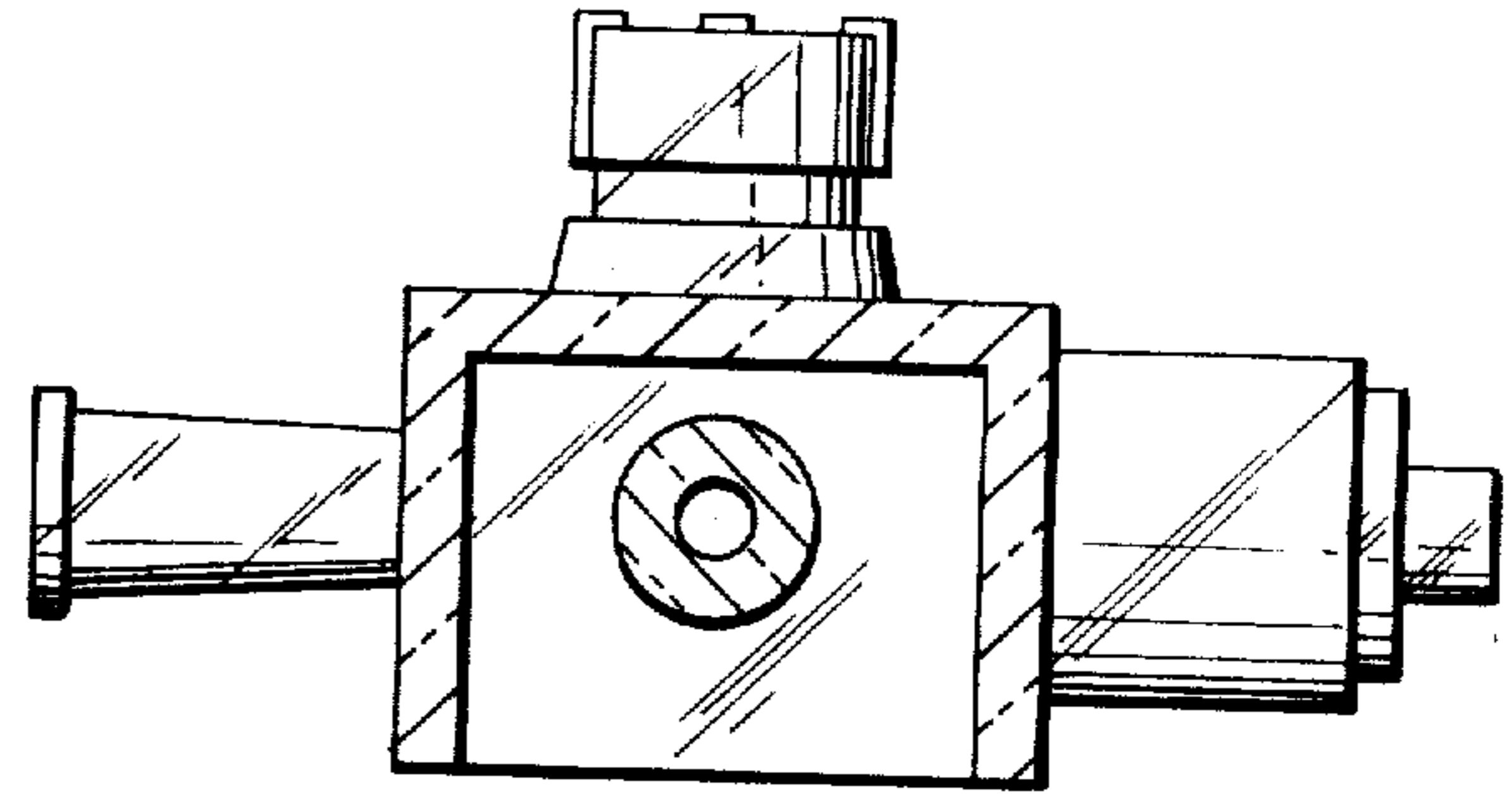


FIG. 11

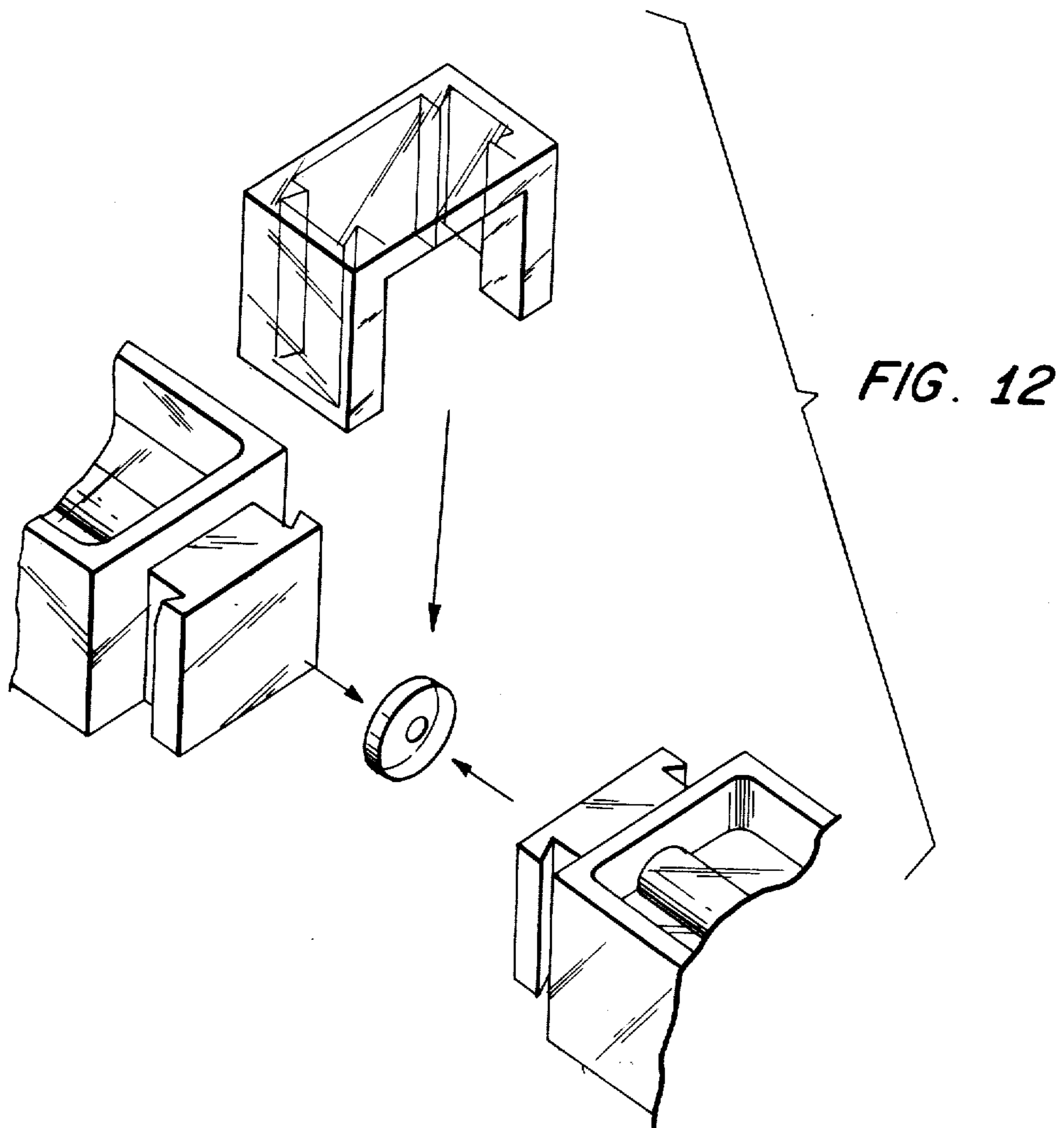


FIG. 12