

[54] **WATER SPRINKLER BASE**  
 [75] **Inventors:** Ho Chow, River Edge, N.J.; Tim M. Uyeda, South San Gabriel, Calif.  
 [73] **Assignee:** Beatrice Foods Co., Moonachie, N.J.  
 [\*\*] **Term:** 14 Years  
 [21] **Appl. No.:** 145,797  
 [22] **Filed:** May 1, 1980  
 [51] **Int. Cl.** ..... D23-01  
 [52] **U.S. Cl.** ..... D23/7  
 [58] **Field of Search** ..... D3/6-12;  
 239/67-70, 569, 570

1,645,763 10/1927 Lundberg et al. .  
 2,788,242 4/1957 Jepson .  
 2,973,149 2/1961 Kachergis ..... 239/273  
 3,036,780 5/1962 Nelson .  
 3,291,154 12/1966 Bounds .  
 3,377,027 4/1968 Mattson et al. .  
 3,815,832 6/1974 Floyd ..... 239/286  
 3,921,912 11/1975 Hayes .

*Primary Examiner*—James R. Largen  
*Attorney, Agent, or Firm*—James & Franklin

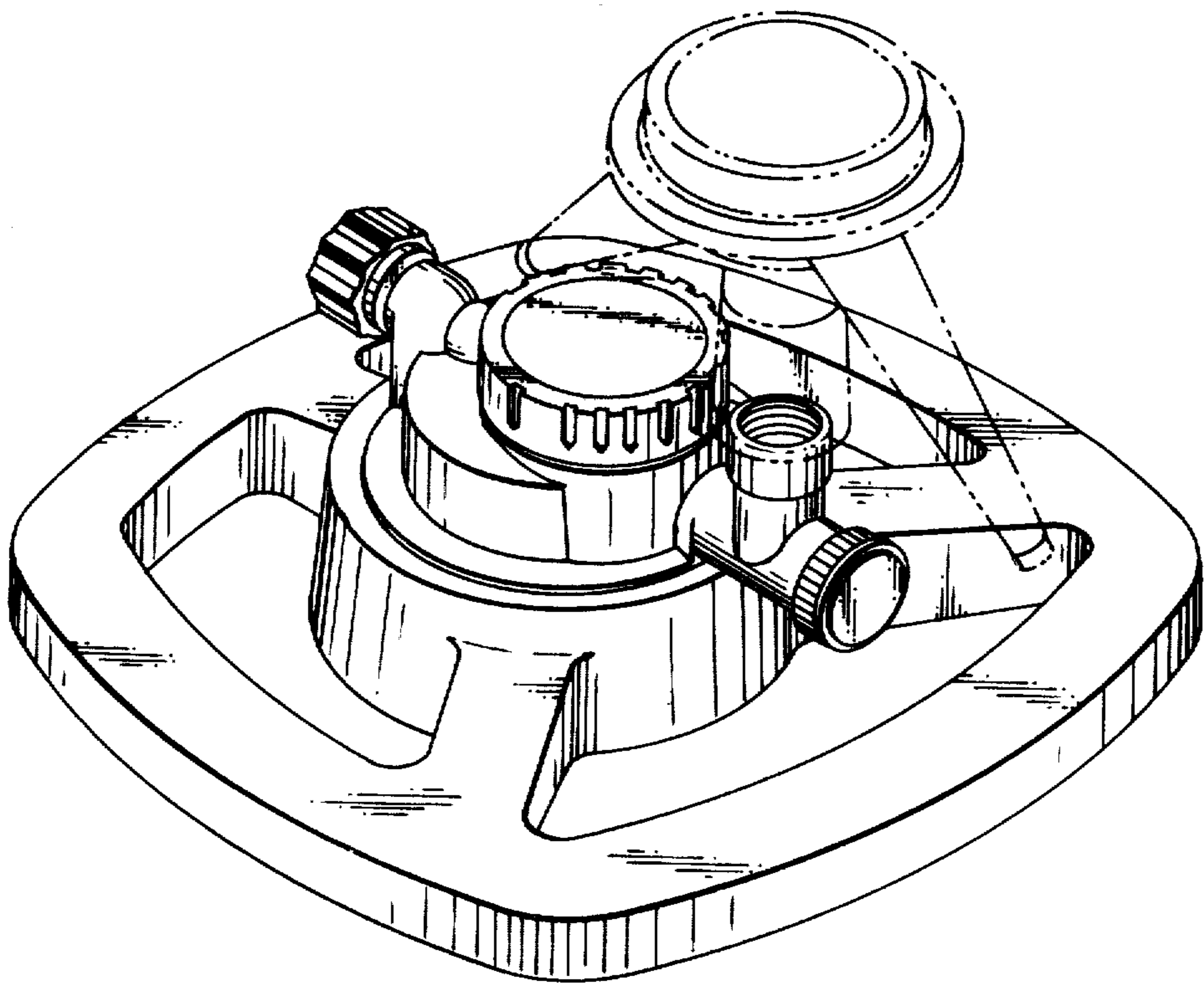
[57] **CLAIM**

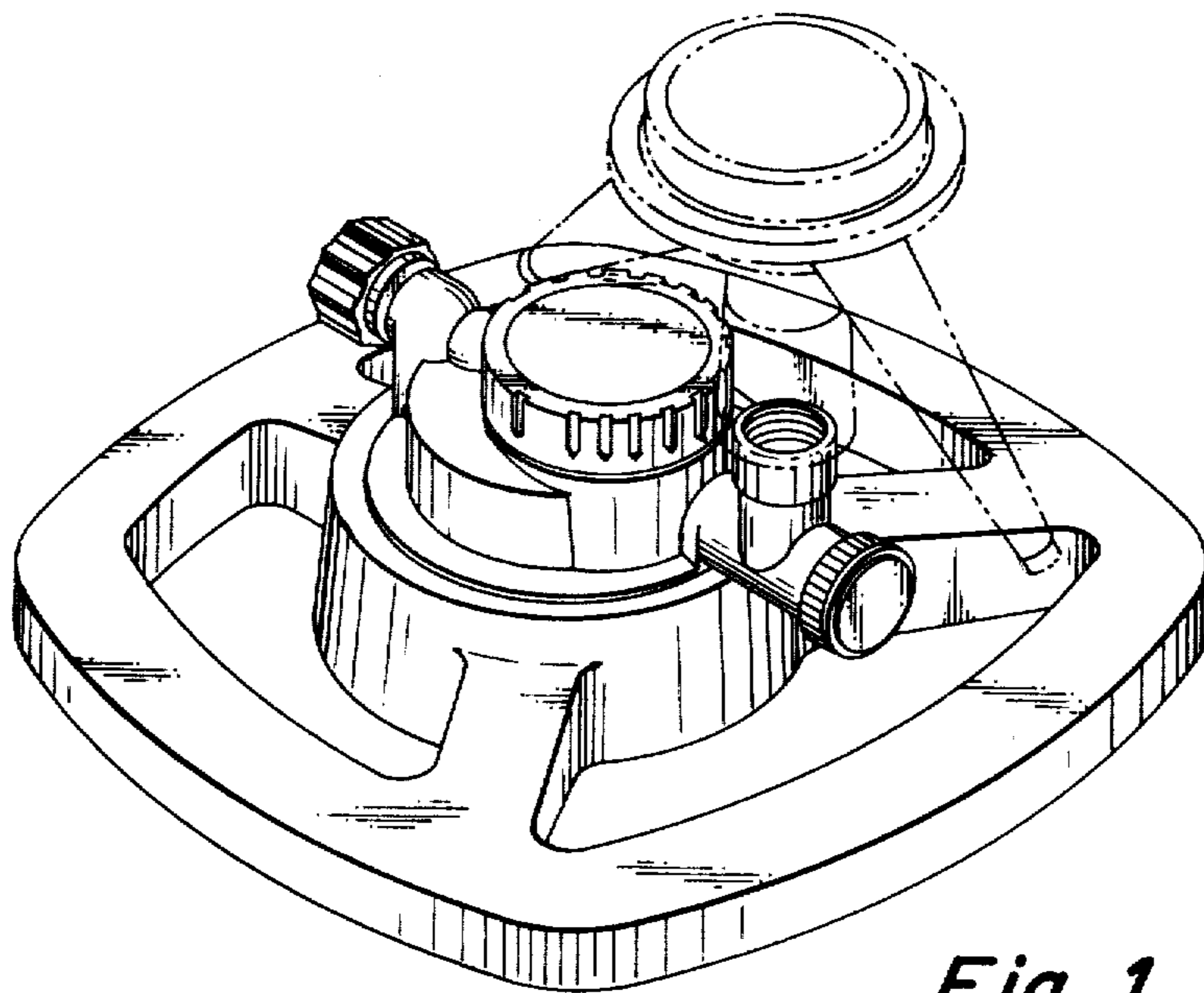
The ornamental design for a water sprinkler base, as shown and described.

**DESCRIPTION**

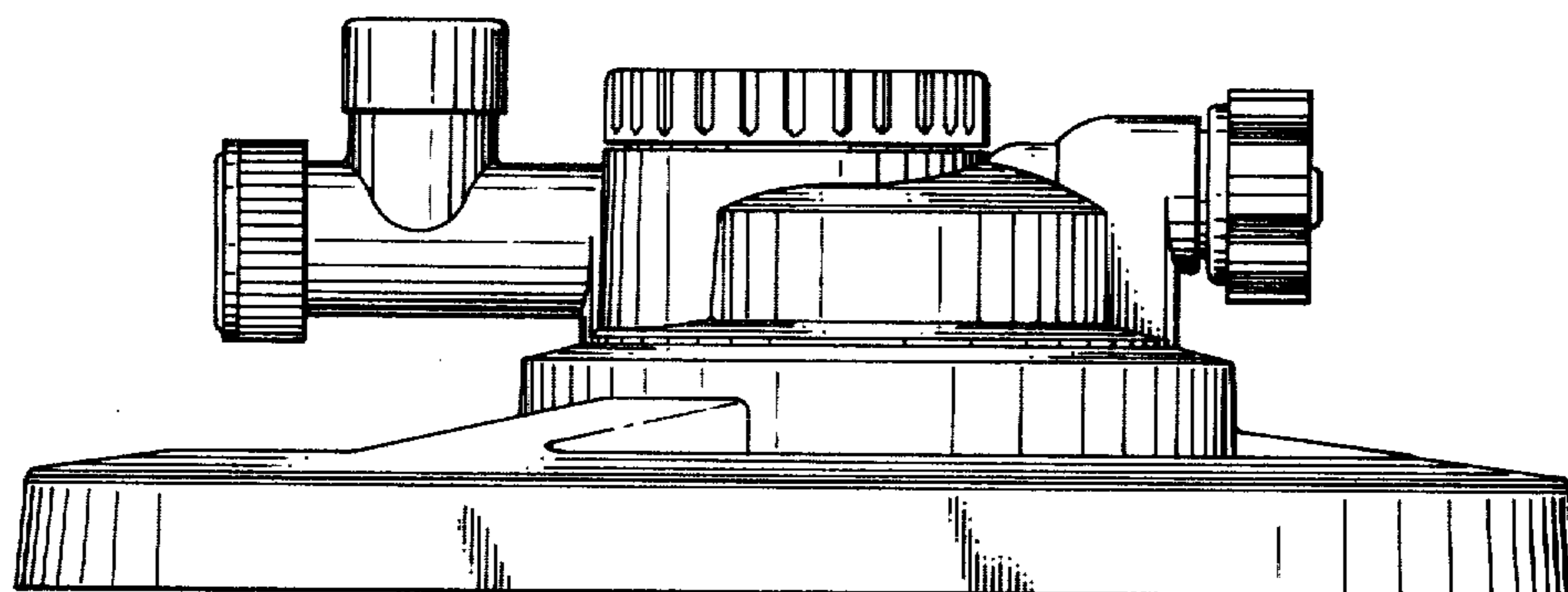
FIG. 1 is a perspective view taken from the top, front, and left side of a water sprinkler base showing our new design;  
 FIG. 2 is a right side elevational view thereof;  
 FIG. 3 is a front elevational view thereof;  
 FIG. 4 is a rear elevational view thereof;  
 FIG. 5 is a top plan view thereof; and  
 FIG. 6 is a bottom plan view thereof.  
 The broken line representation of a sprinkler head in FIG. 1 is for purposes of illustration only.

[56] **References Cited**  
**U.S. PATENT DOCUMENTS**  
 D. 142,401 9/1945 Goggins ..... D23/7  
 D. 184,662 3/1959 Chapman ..... D23/7  
 D. 211,943 8/1968 Beinert ..... D23/7  
 D. 217,664 5/1970 Best ..... D23/7  
 D. 233,835 12/1974 Reinecke ..... D23/7  
 D. 244,936 7/1977 Chow ..... D23/7  
 1,308,371 7/1919 Roach .  
 1,523,609 1/1925 Roach .

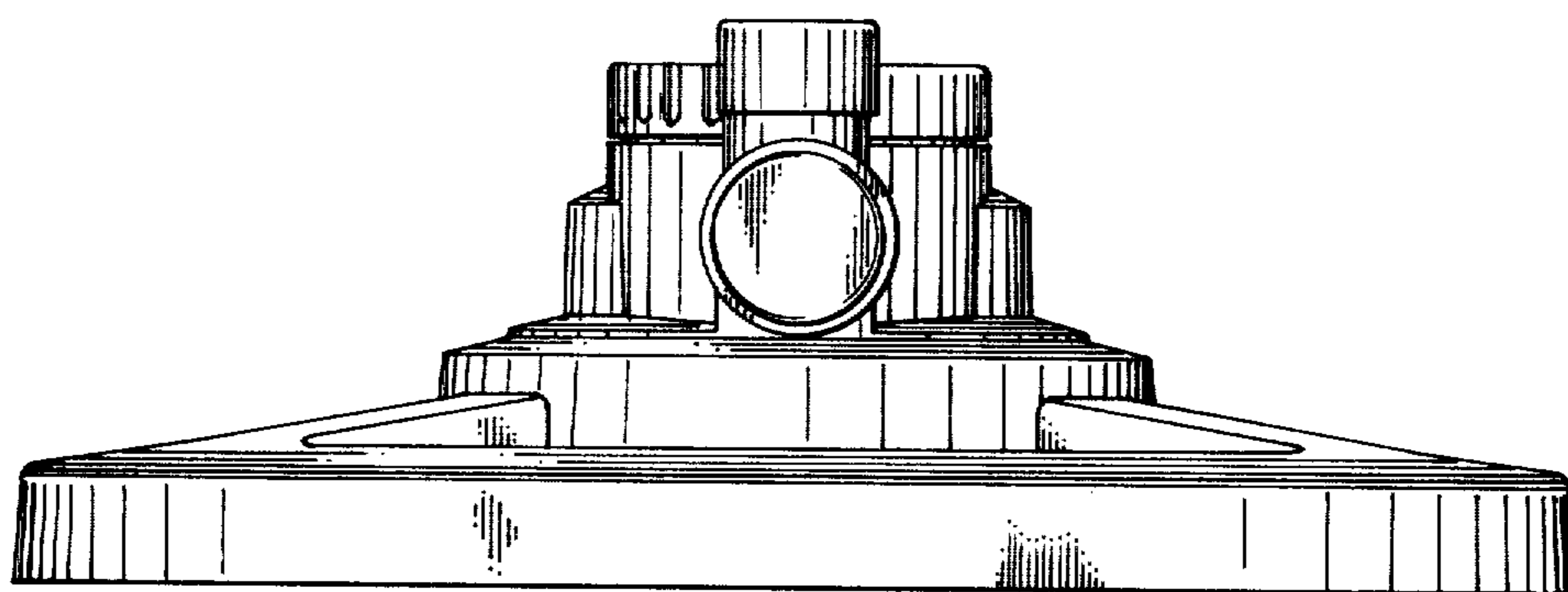




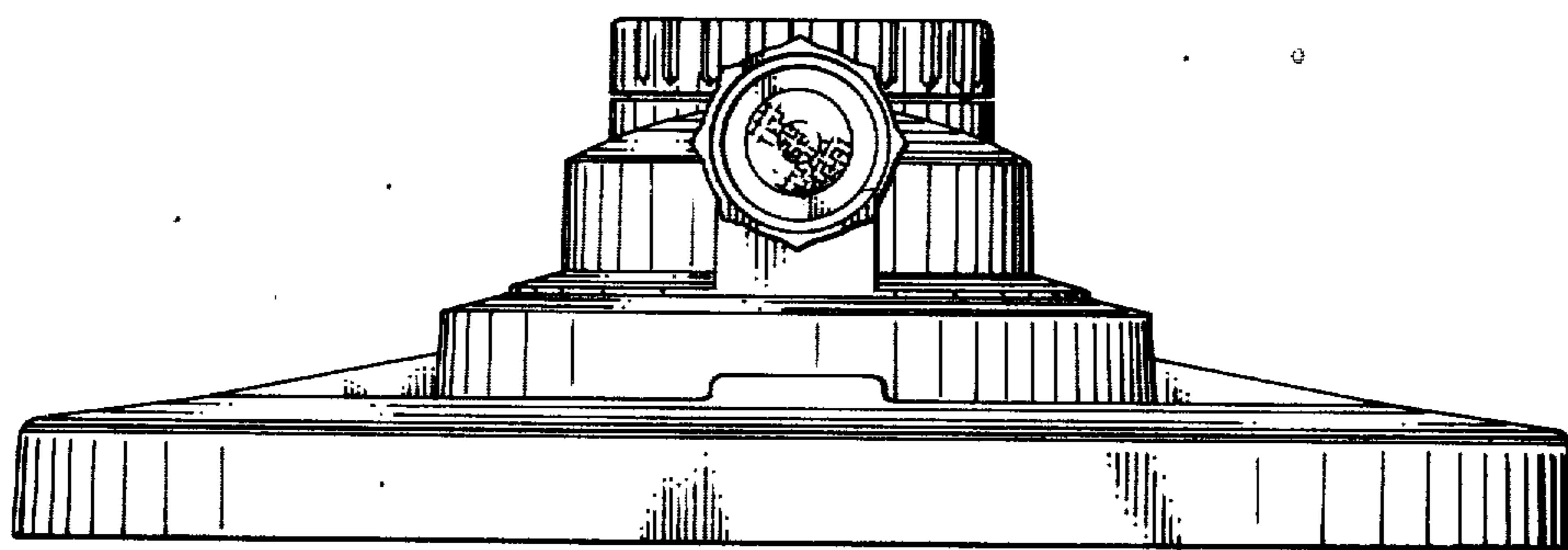
*Fig\_1*



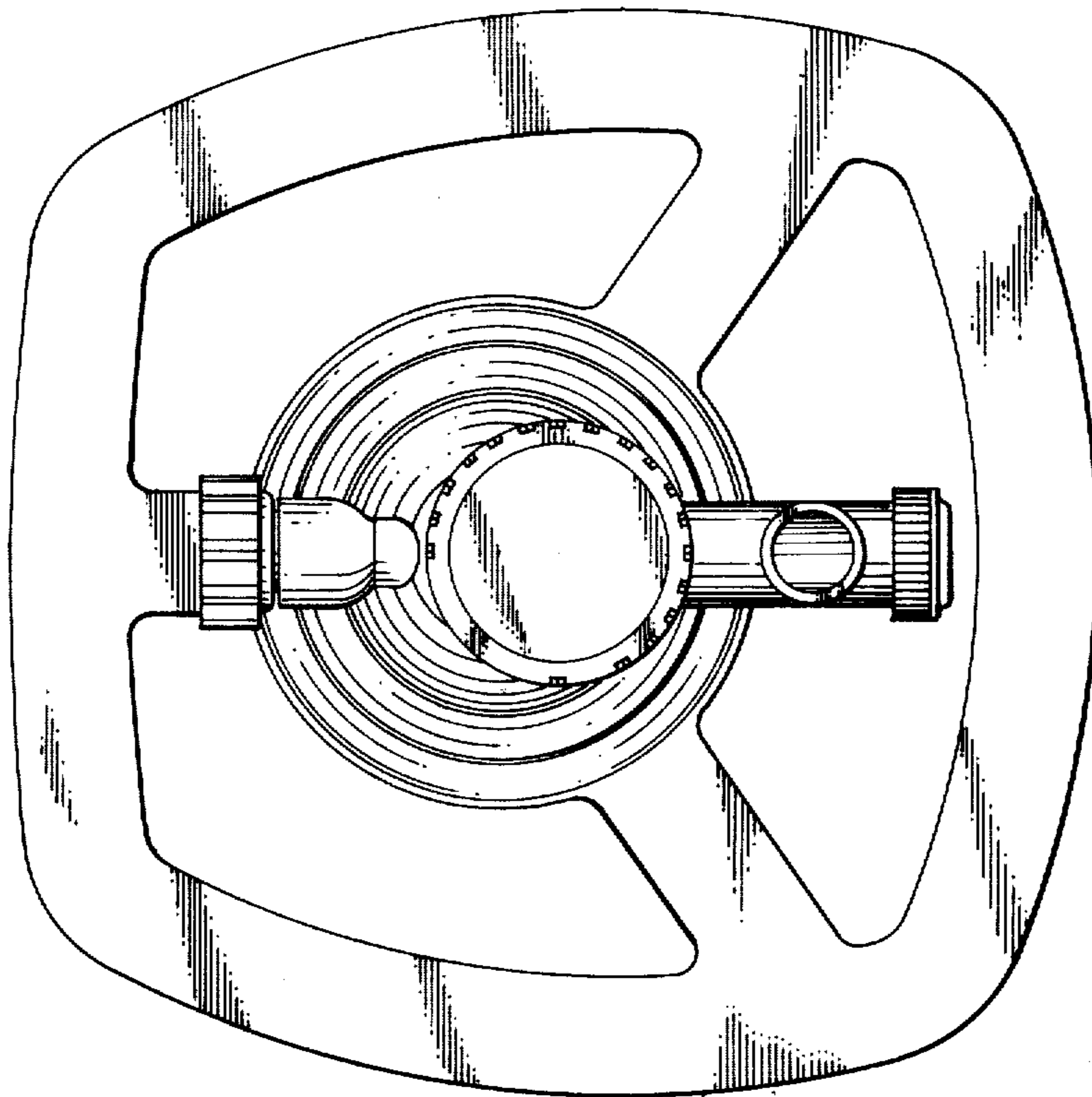
*Fig\_2*



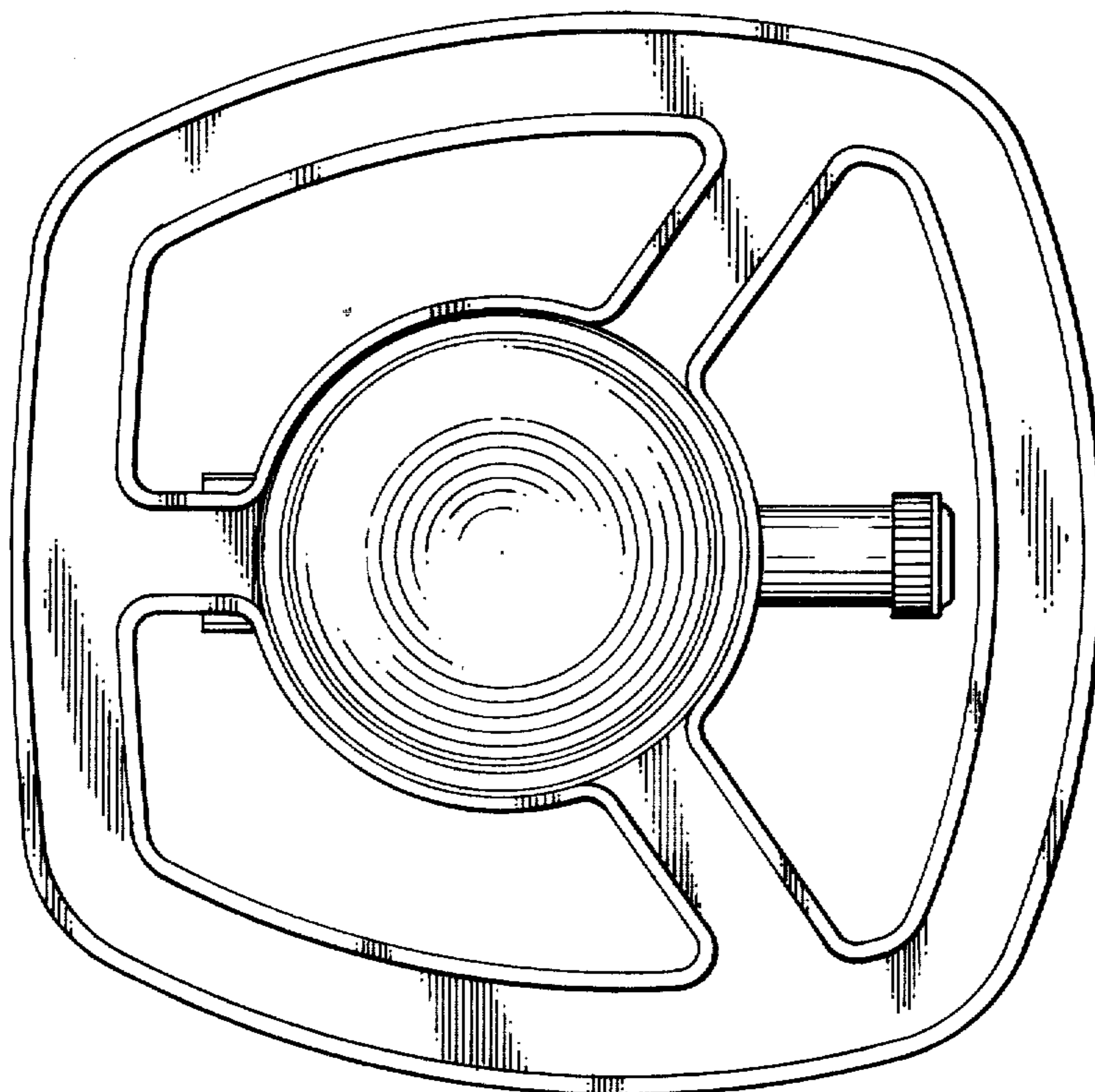
*Fig\_3*



*Fig\_4*



*Fig\_5*



*Fig\_6*