

[54] SHOWER HEAD

3,461,870 8/1969 Van Lingo ..... 239/310  
3,471,872 10/1969 Symmons ..... 4/191

[76] Inventor: Amilcar F. Yamin, Rodovia  
Presidente Dutra Km. 380 (trevo  
Bonsucesso), Guarulhos Estado de  
Sao Paulo, Brazil

[\*\*] Term: 14 Years

[21] Appl. No.: 97,113

[22] Filed: Nov. 23, 1979

[51] Int. Cl. .... D23-01

[52] U.S. Cl. .... D23/35

[58] Field of Search ..... D23/34-39;  
4/191, 192; 239/466, 587, 383

[56] References Cited

U.S. PATENT DOCUMENTS

D. 217,607	5/1970	Young	.....	D23/35
3,333,284	8/1967	Symmons	.....	4/192
3,383,051	5/1968	Fiorentino	.....	239/587
3,416,734	12/1968	Nelson	.....	239/460

OTHER PUBLICATIONS

Domestic Engineering, Sep. 1963, p. 160, "Institutional Showerhead", item.

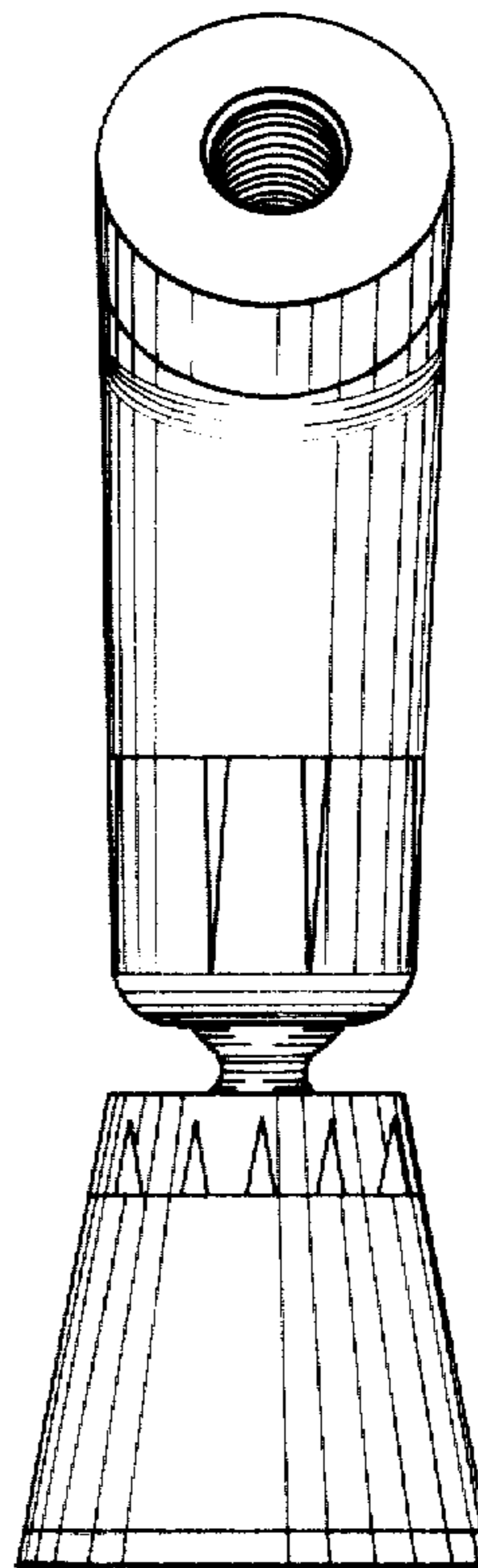
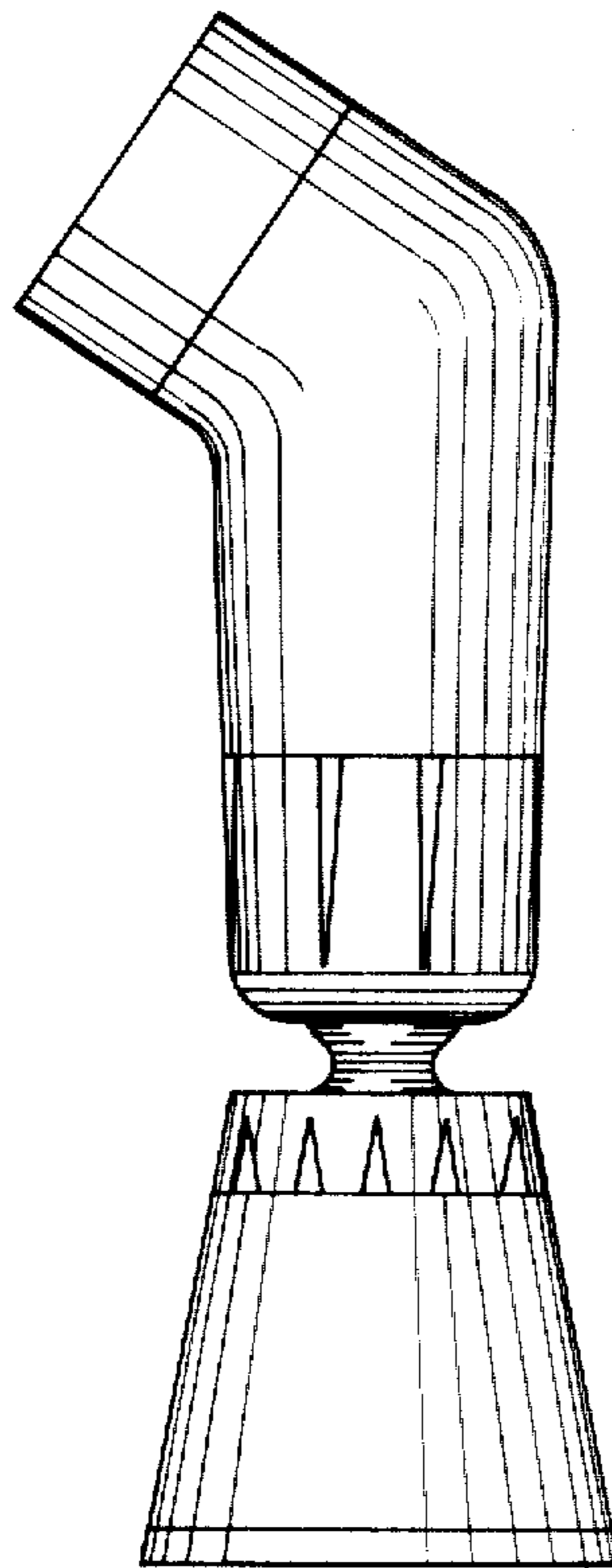
Primary Examiner—James R. Largen  
Attorney, Agent, or Firm—Blanchard, Flynn, Thiel,  
Boutell & Tanis

[57] CLAIM

The ornamental design for a shower head, as shown and described.

DESCRIPTION

FIG. 1 is a front elevational view of a shower head embodying my new design;  
FIG. 2 is a left side elevational view thereof, the right side being a mirror image of the left side shown;  
FIG. 3 is a rear elevational view thereof;  
FIG. 4 is a bottom plan view thereof; and  
FIG. 5 is a top plan view thereof.



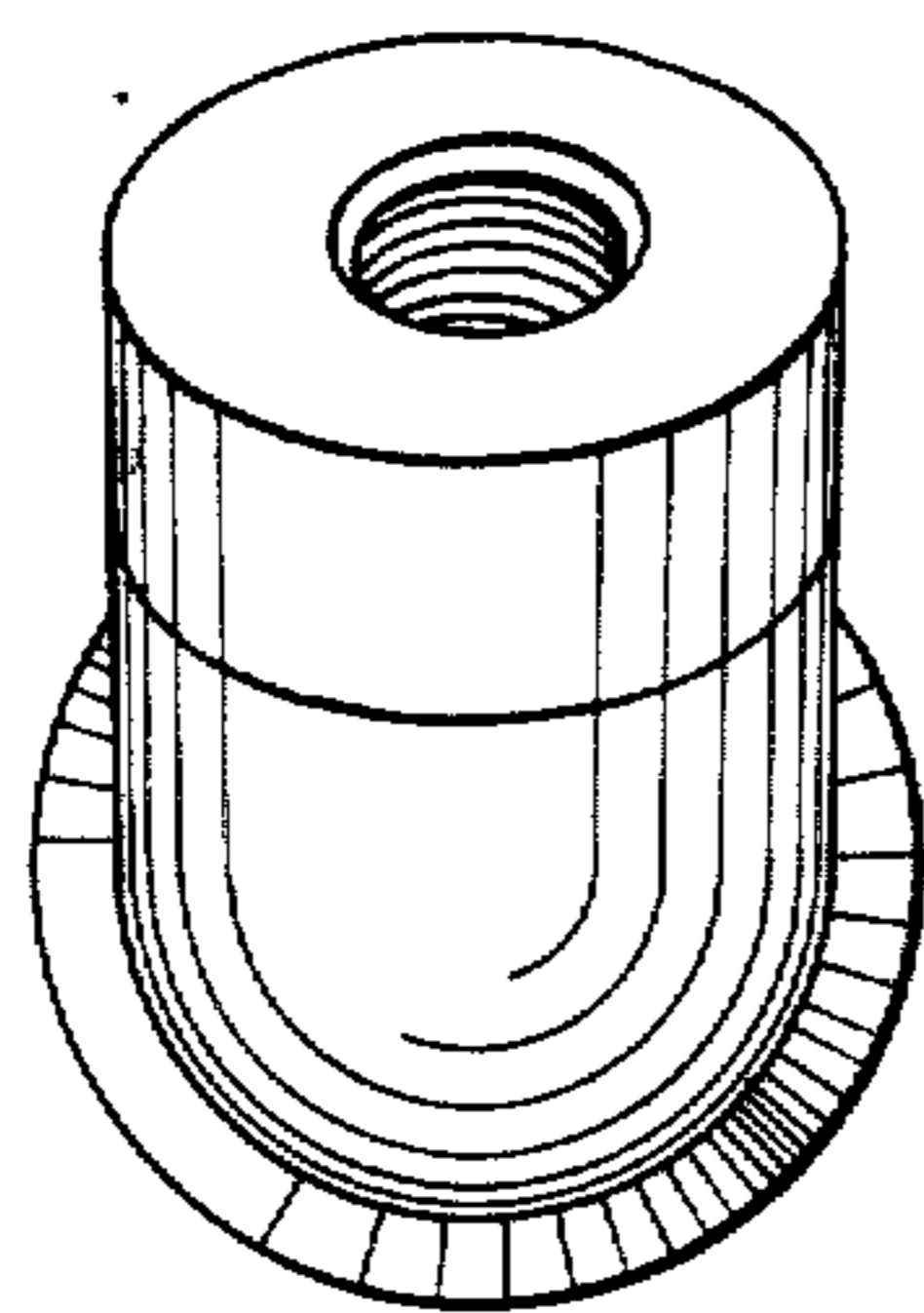
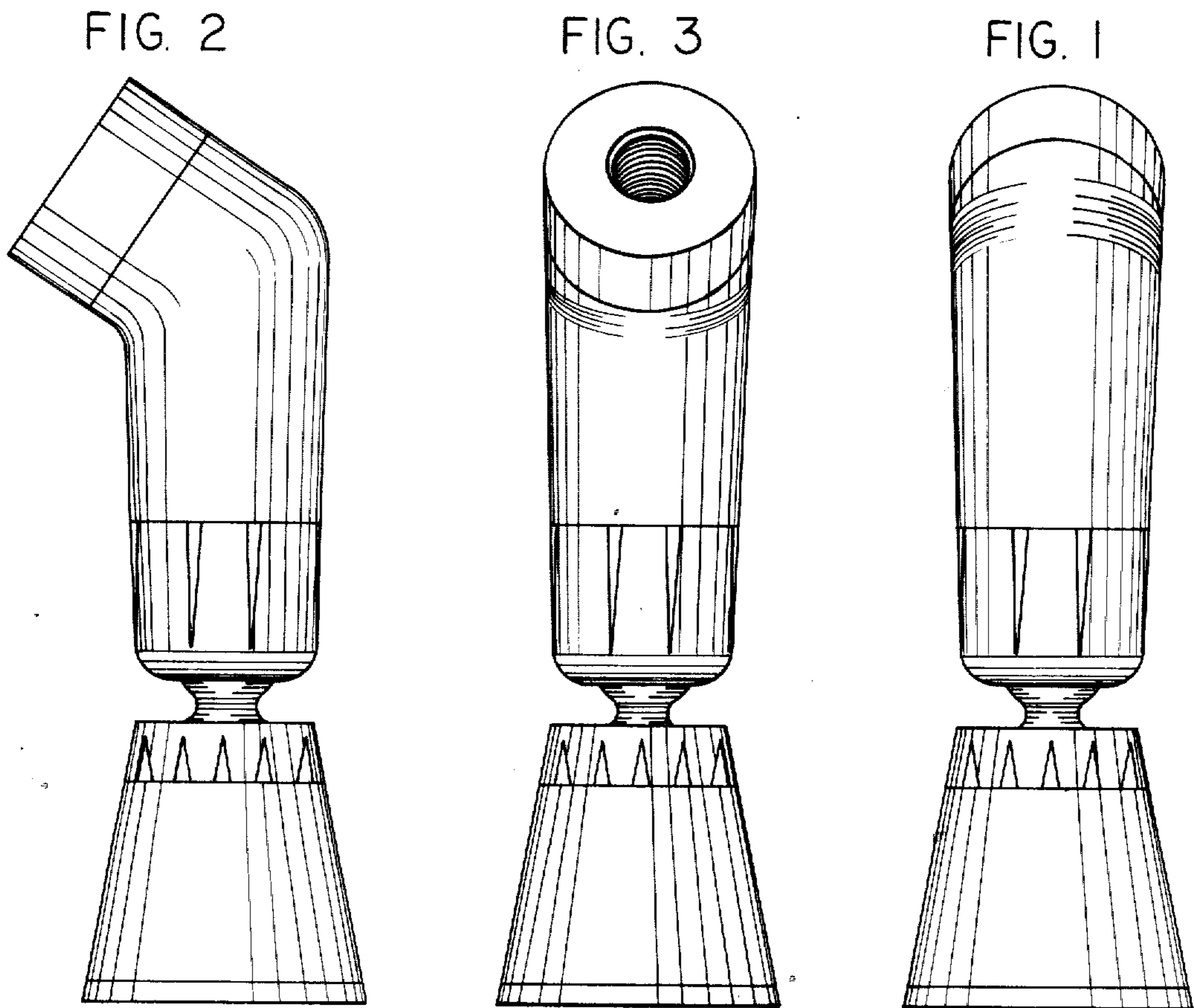


FIG. 5

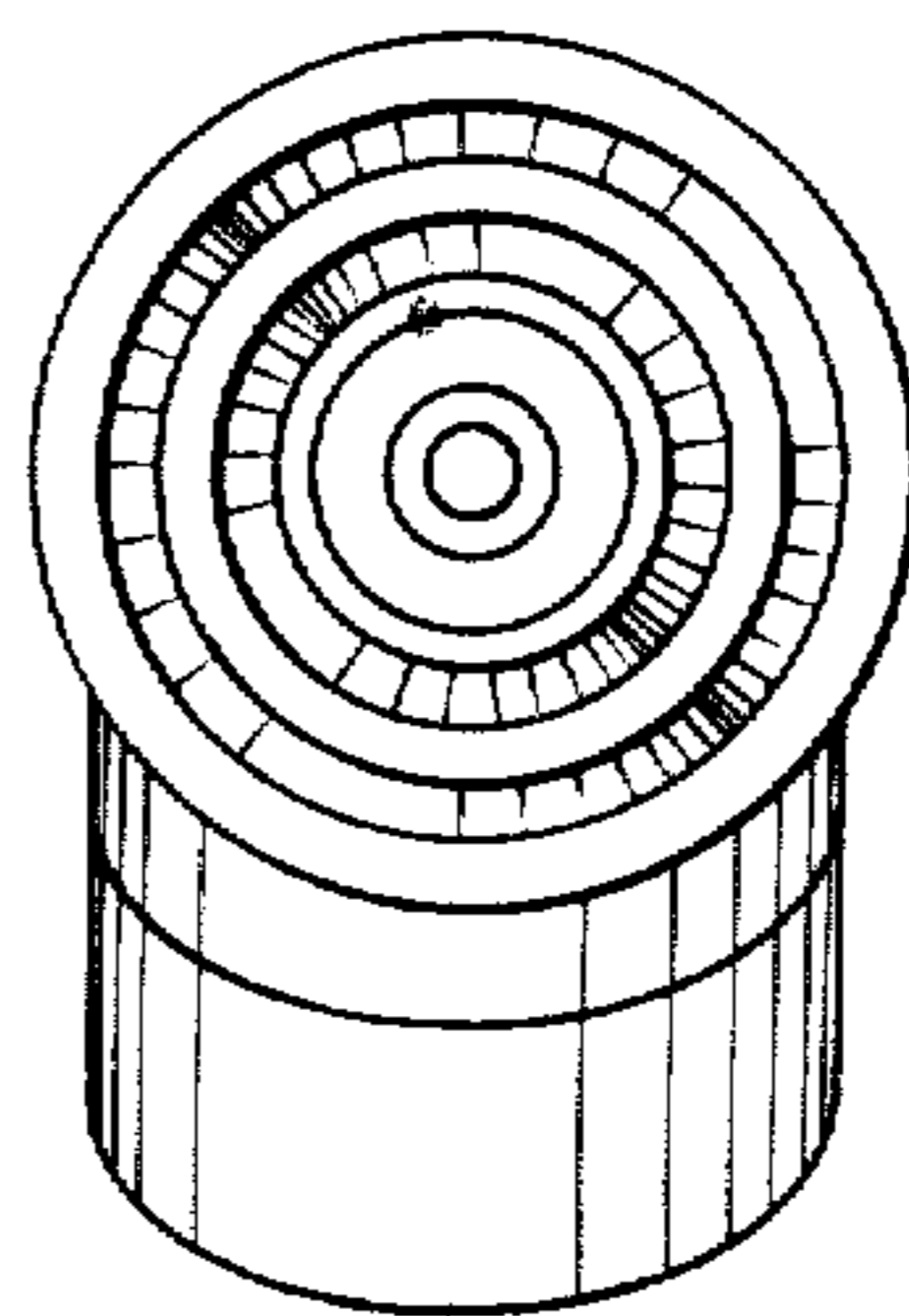


FIG. 4