

[54] **STOVE**

[76] **Inventor:** **Richard L. Dillon**, 13500 High Point Dr., Traverse City, Mich. 49684

[\*\*] **Term:** **14 Years**

[21] **Appl. No.:** **95,256**

[22] **Filed:** **Nov. 19, 1979**

[51] **Int. Cl.** ..... **D23—03**

[52] **U.S. Cl.** ..... **D23/97**

[58] **Field of Search** ..... **D23/72, 93-97, D23/105, 106, 107, 118, 119, 127; 126/120, 121, 123, 126, 130, 135, 136, 141, 58, 60-66**

[56]

**References Cited**

**U.S. PATENT DOCUMENTS**

D. 254,685 4/1980 Dillon ..... D23/97  
D. 257,280 10/1980 Sands ..... D23/97

*Primary Examiner*—Catherine E. Kemper  
*Attorney, Agent, or Firm*—Barnes, Kisselle, Raisch & Choate

[57]

**CLAIM**

The ornamental design for a stove, as shown and described.

**DESCRIPTION**

FIG. 1 is a front elevational view of a stove embodying my novel design.

FIG. 2 is a side elevational view of the same.

FIG. 3 is a top plan view of the same.

FIG. 4 is a rear elevational view of the same.

FIG. 5 is a bottom plan view of the same.

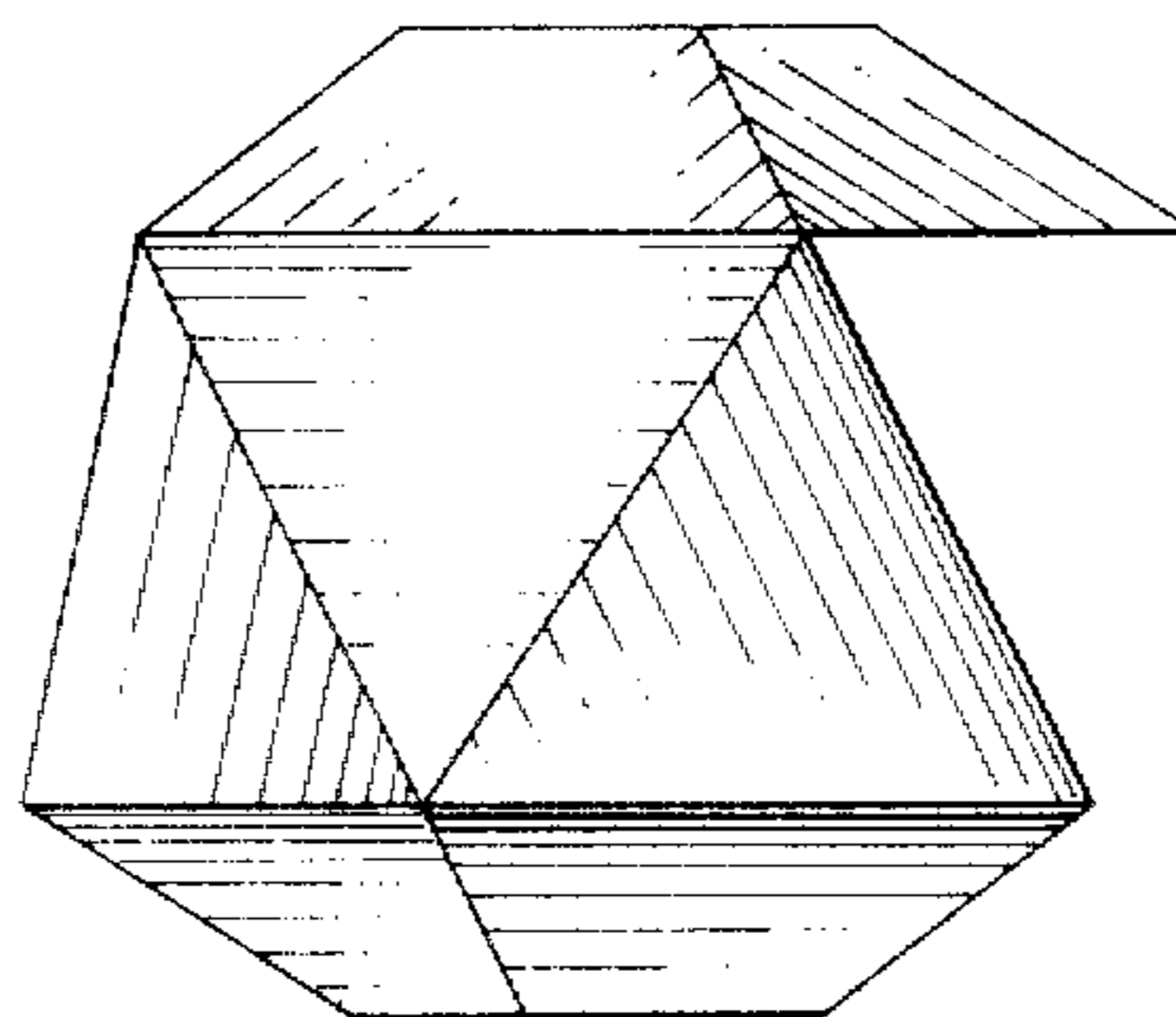
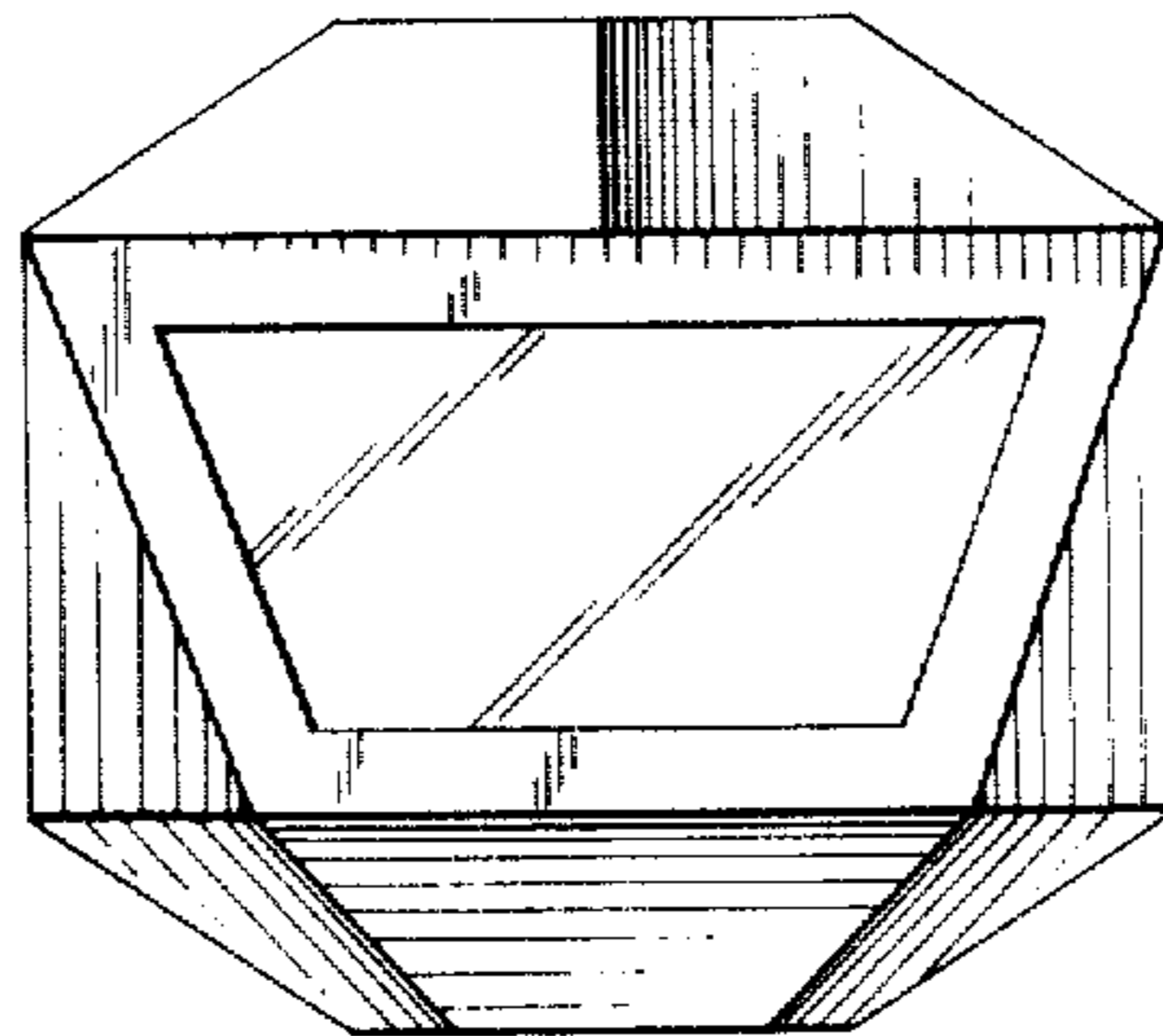


FIG. 1

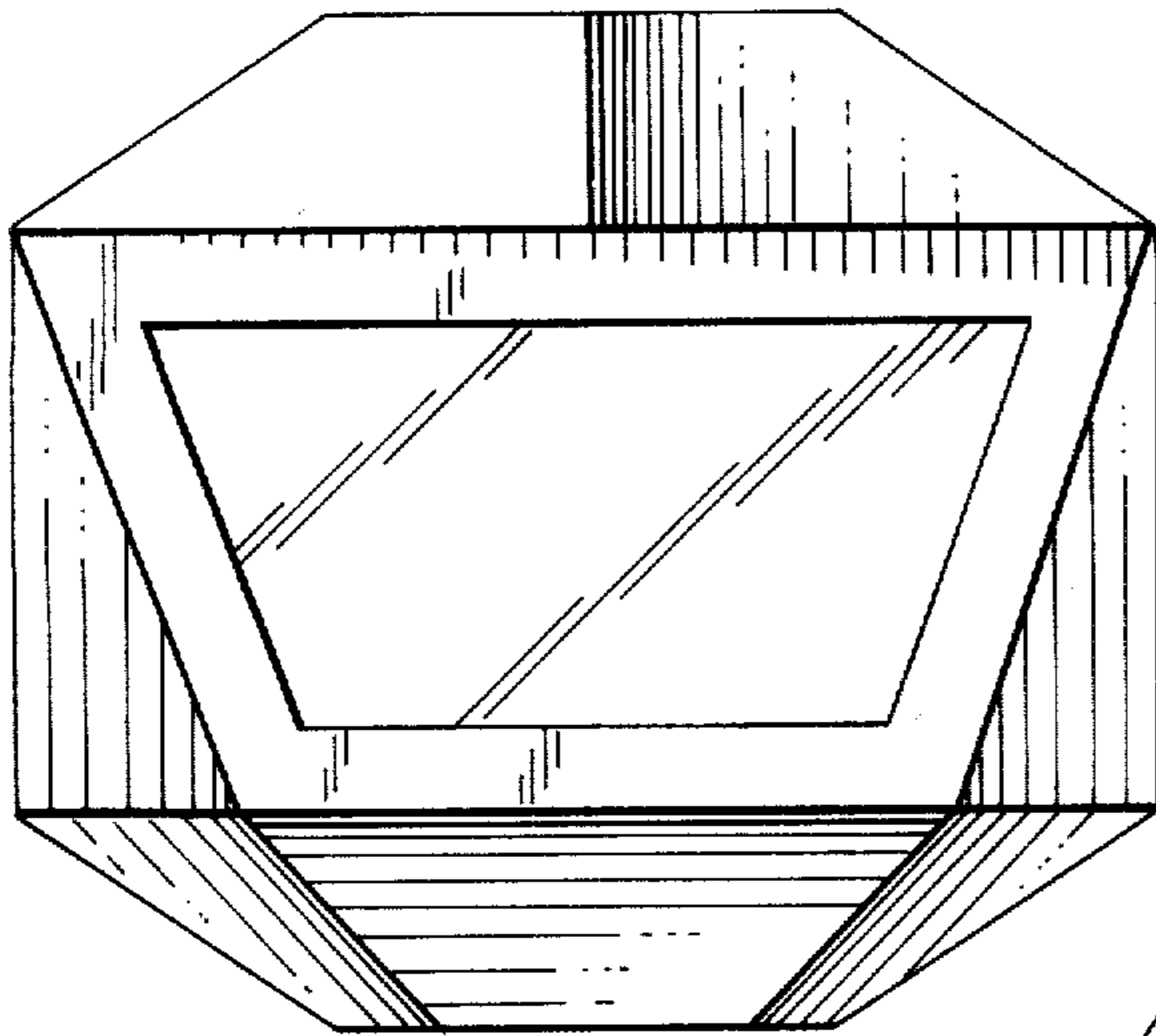


FIG. 3

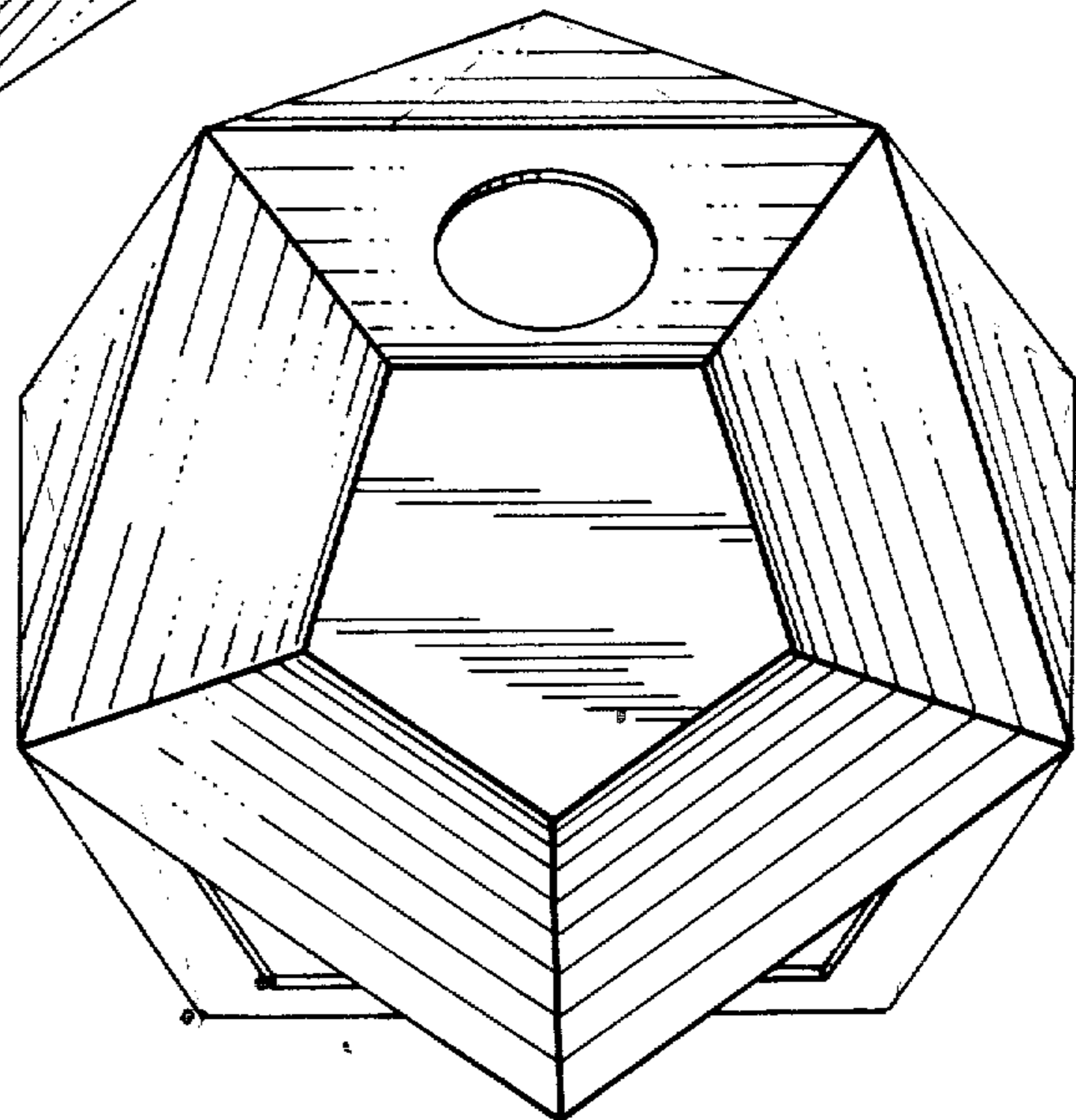


FIG. 2

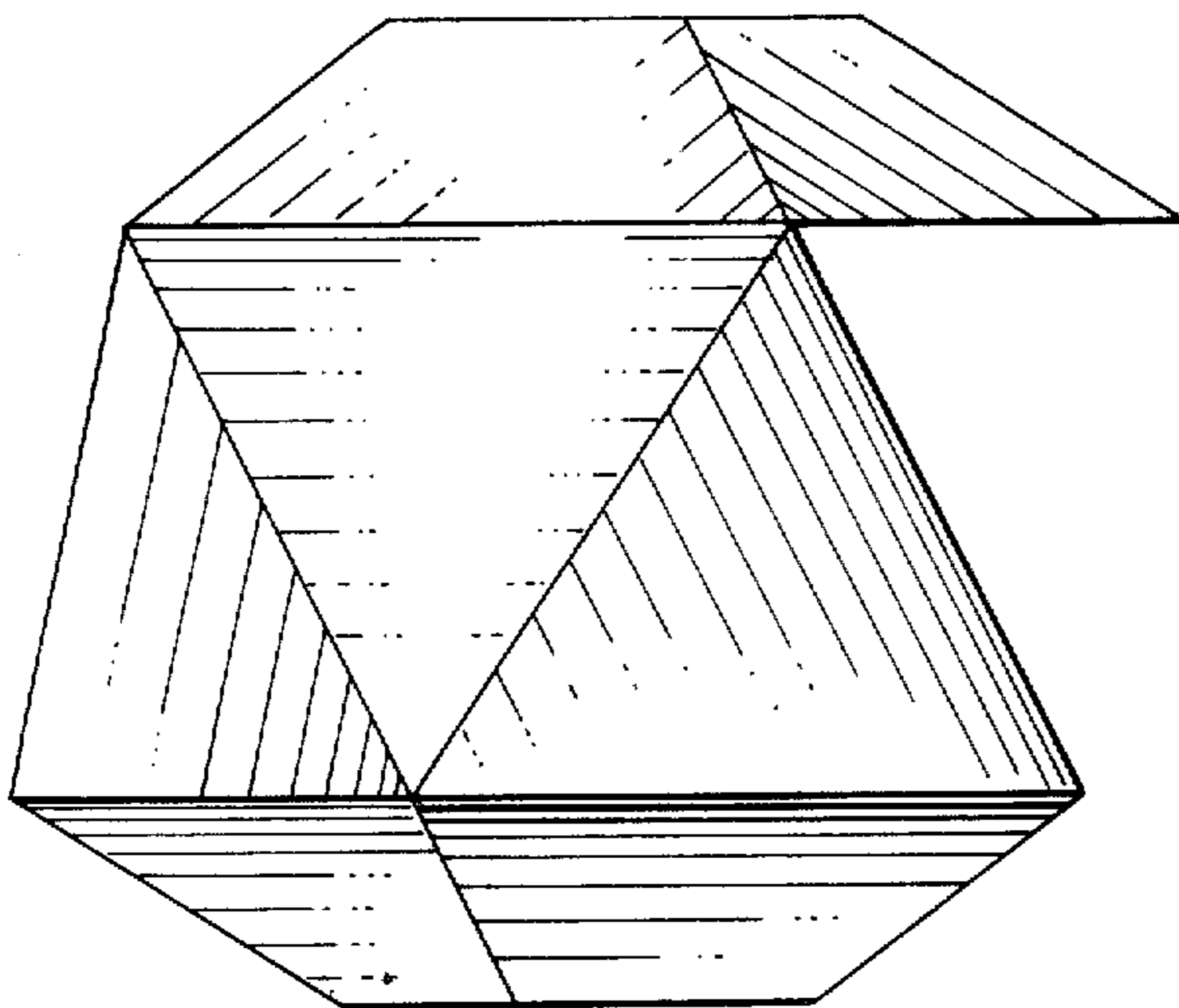


FIG. 4

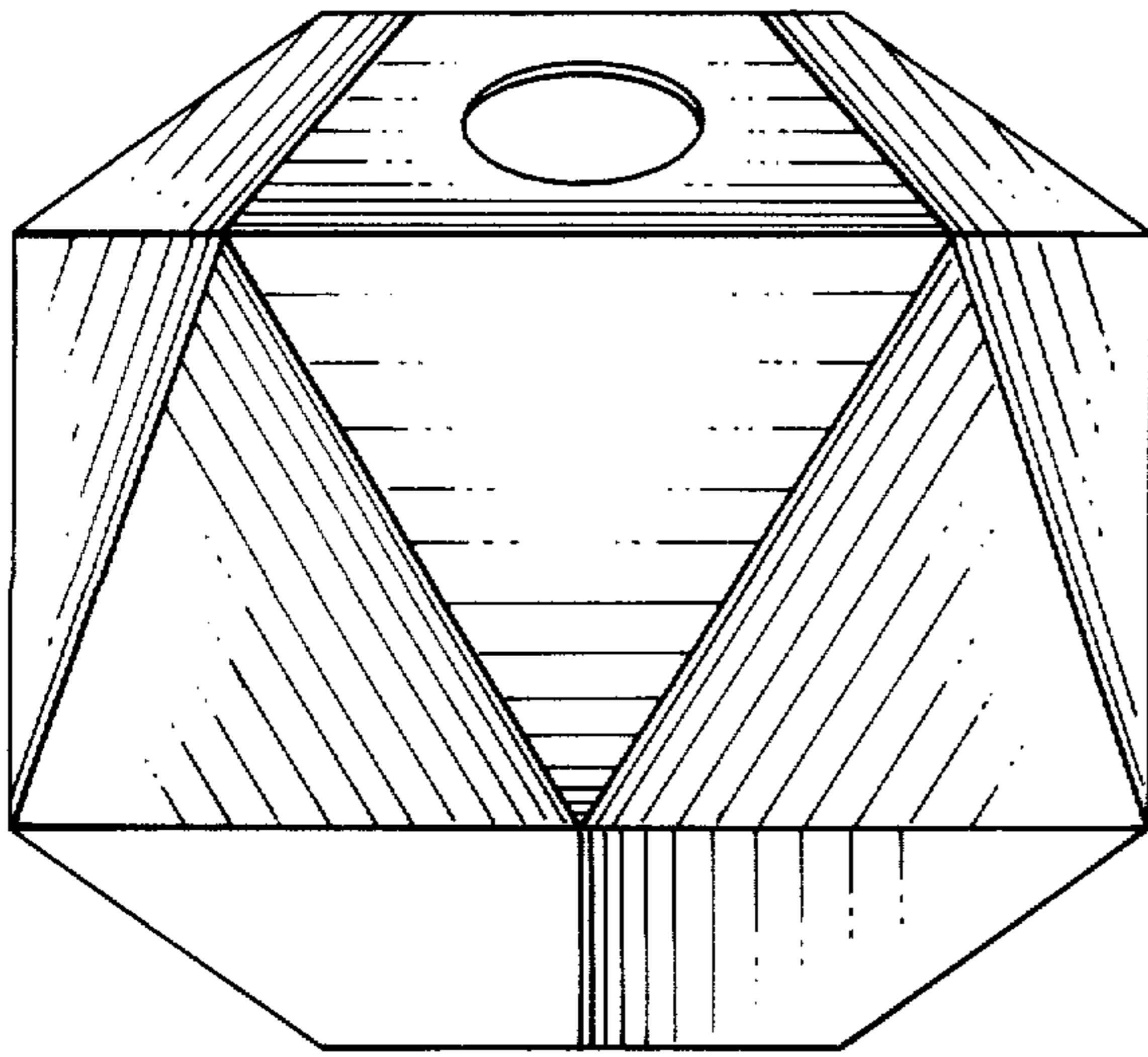


FIG. 5

