

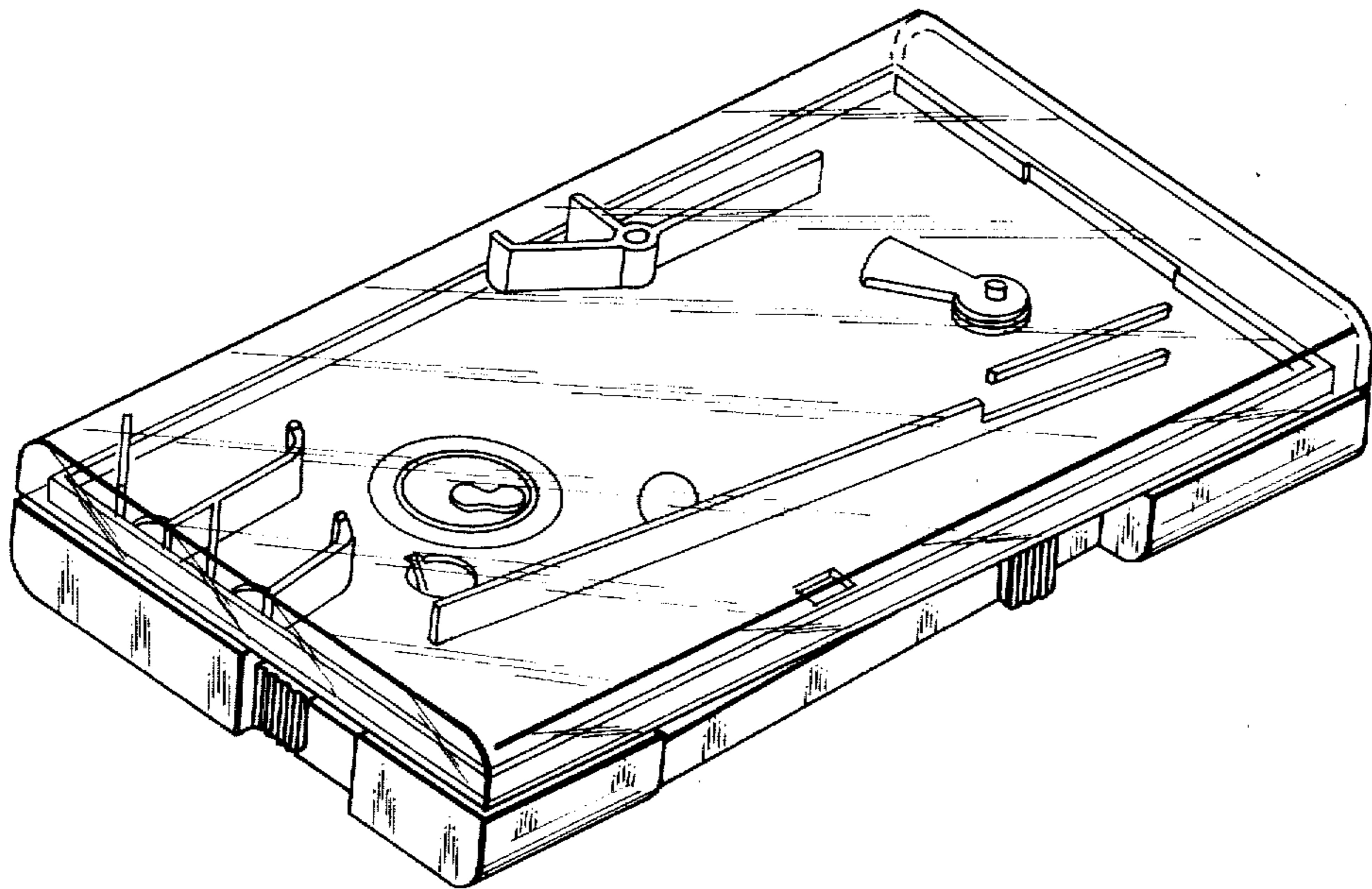
- [54] **POCKET SIZE GAME BOX HAVING ROTATING STRIKING MEMBER**
- [75] Inventor: Masaki Mayuzumi, Tokyo, Japan
- [73] Assignee: Tomy Kogyo Co., Inc., Tokyo, Japan
- [**] Term: 14 Years
- [21] Appl. No.: 116,487
- [22] Filed: Jan. 29, 1980
- [51] Int. Cl. D21-01
- [52] U.S. Cl. D21/9
- [58] Field of Search D21/7, 9, 10;
273/118-126 R, 8 R, 85 A

- [56] **References Cited**
U.S. PATENT DOCUMENTS
D. 243,780 3/1977 Yamagata D21/10
D. 243,781 3/1977 Yamagata D21/10

Primary Examiner—Melvin B. Feifer
Attorney, Agent, or Firm—K. H. Boswell; Edward D. O'Brian

[57] **CLAIM**
The ornamental design for a pocket size game box having rotating striking member, substantially as shown and described.

DESCRIPTION
FIG. 1 is an isometric view showing the top, the right hand side and the near ends of a pocket size game box having a rotating striking member showing my new design;
FIG. 2 is an end elevational view showing the opposite end of the design shown in FIG. 1;
FIG. 3 is a side elevational view showing the left hand side of the game as shown in FIG. 1; and
FIG. 4 is a bottom plan view showing the bottom of the game shown in FIG. 1.



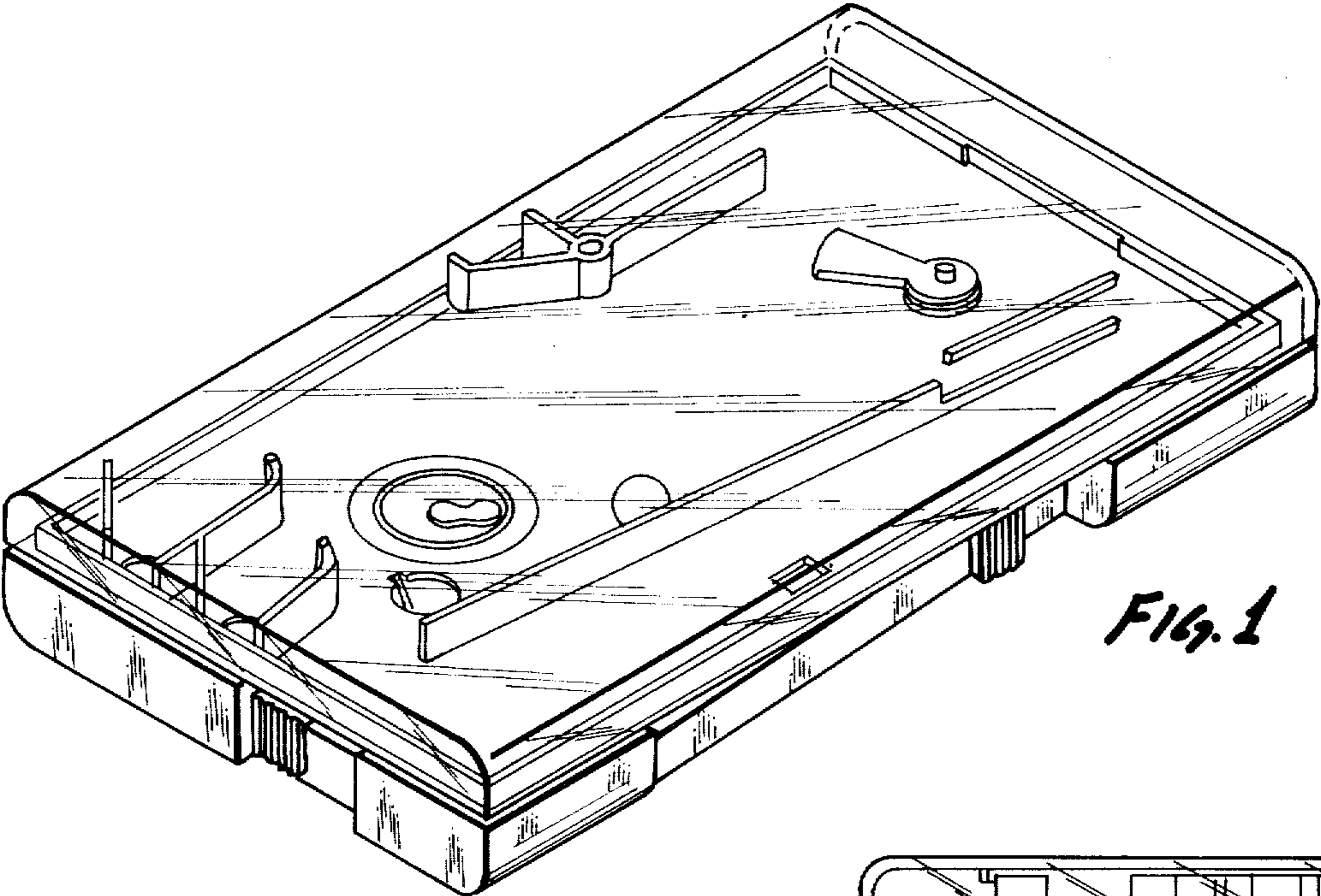


Fig. 1

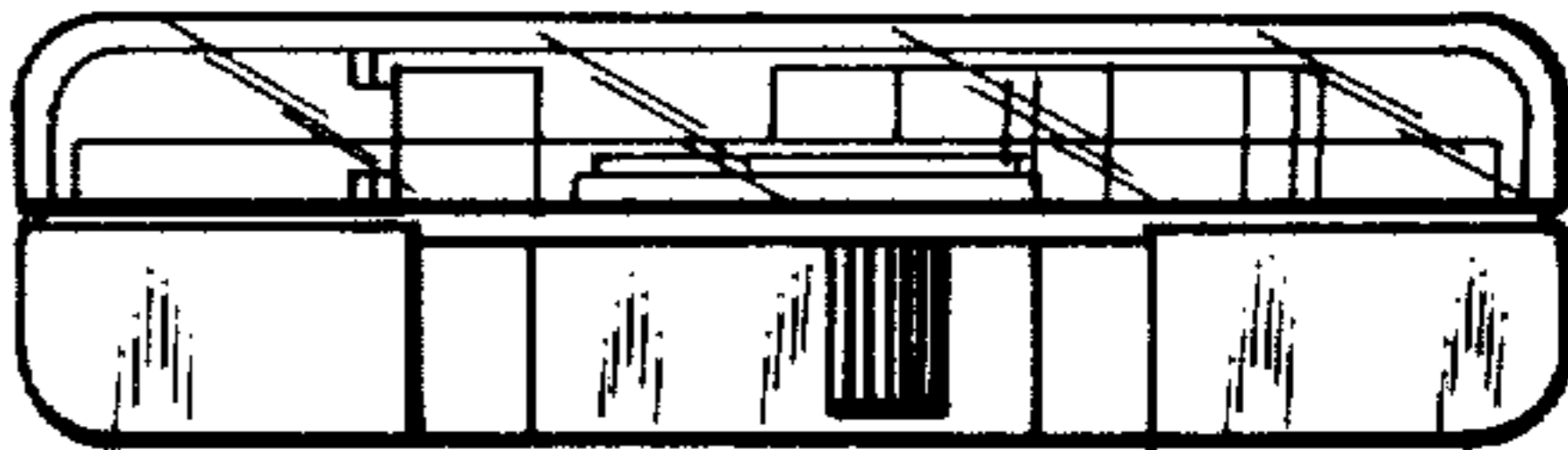


Fig. 2

Fig. 3



Fig. 4

