

[54] ELECTRONIC MISSILE GAME HOUSING

[75] Inventor: Hitoshi Itakura, Tokyo, Japan

[73] Assignee: Tomy Kogyo Co., Inc., Tokyo, Japan

[**] Term: 14 Years

[21] Appl. No.: 79,302

[22] Filed: Sep. 27, 1979

[51] Int. Cl. D21-01

[52] U.S. Cl. D21/13

[58] Field of Search D21/13; D14/43; D19/60; 273/316, 237, 1 E, DIG. 28, 138 A

[56] References Cited

U.S. PATENT DOCUMENTS

D. 245,369 8/1977 Furuoka D19/60

OTHER PUBLICATIONS

Sears Xmas Cat., 1978, p. 601, middle left.

Primary Examiner—Melvin B. Feifer
Attorney, Agent, or Firm—K. H. Boswell; Edward D. O'Brian

[57] CLAIM

The ornamental design for an electronic missile game housing, substantially as shown and described.

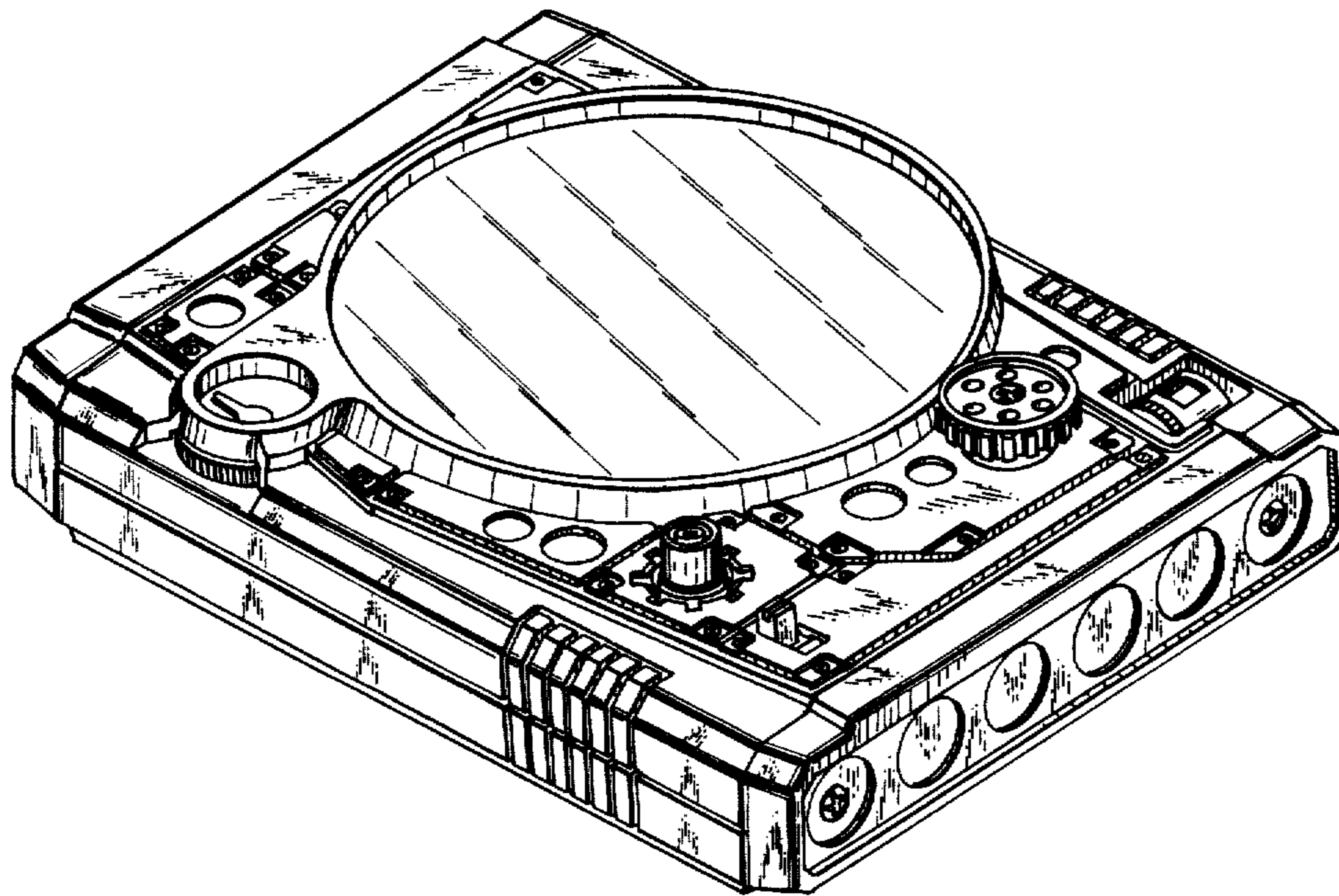
DESCRIPTION

FIG. 1 is an oblique view showing the front, the left side and the top of the electronic missile game housing showing my new design;

FIG. 2 is a rear elevational view thereof;

FIG. 3 is a side elevational view thereof illustrating the side which is not visible from FIG. 1; and

FIG. 4 is a bottom plan view thereof.



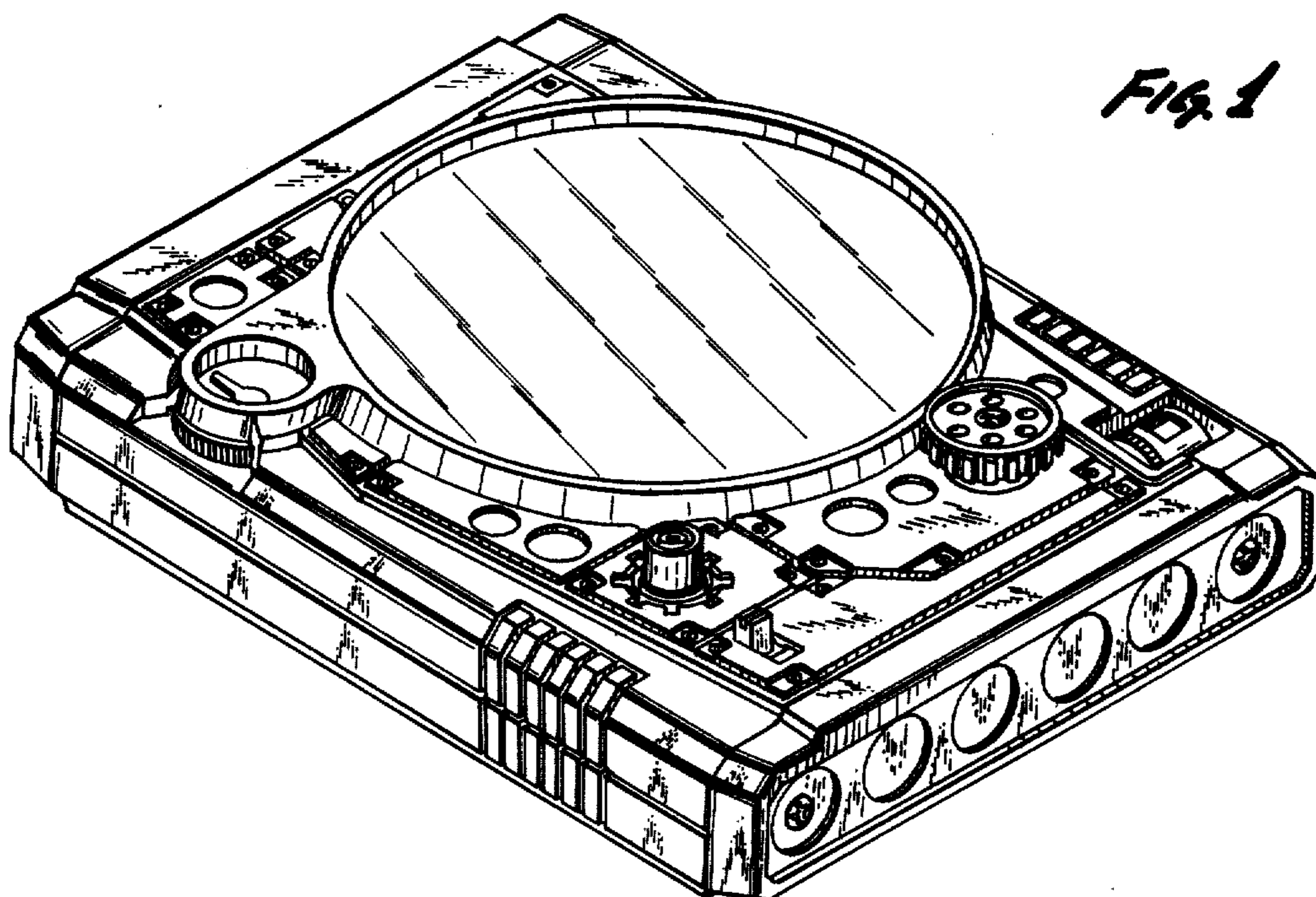


Fig. 2

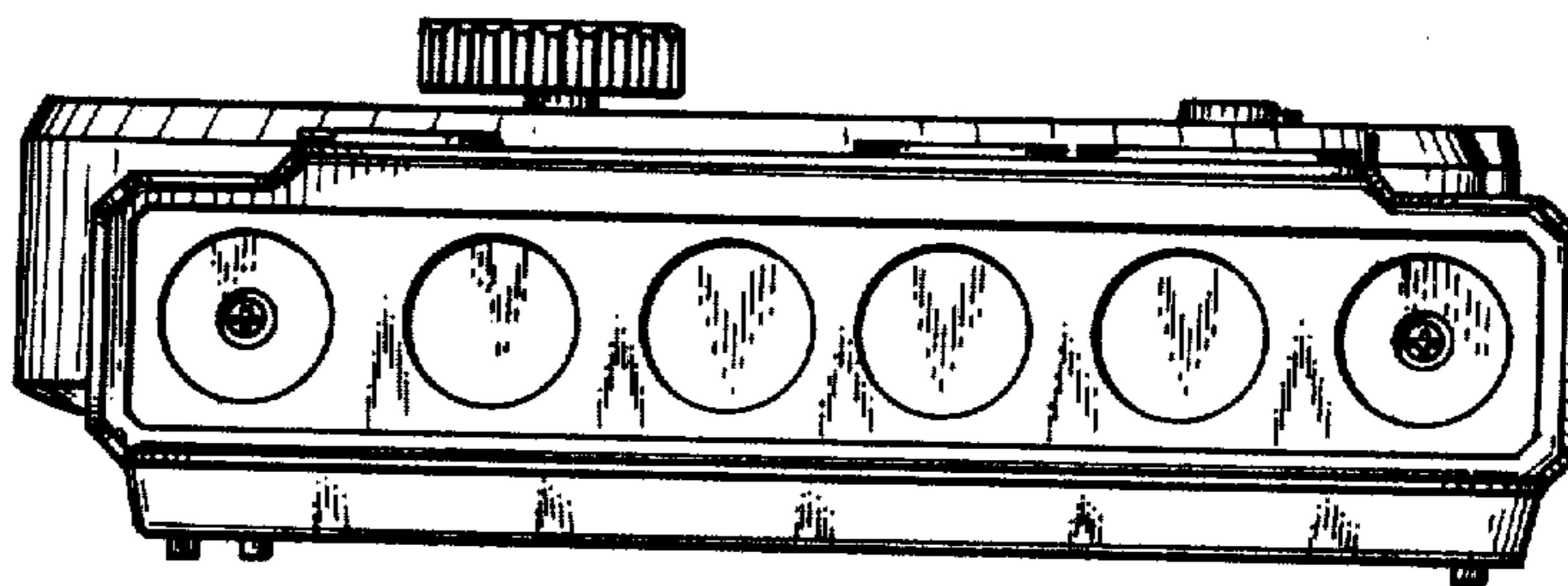


FIG. 3

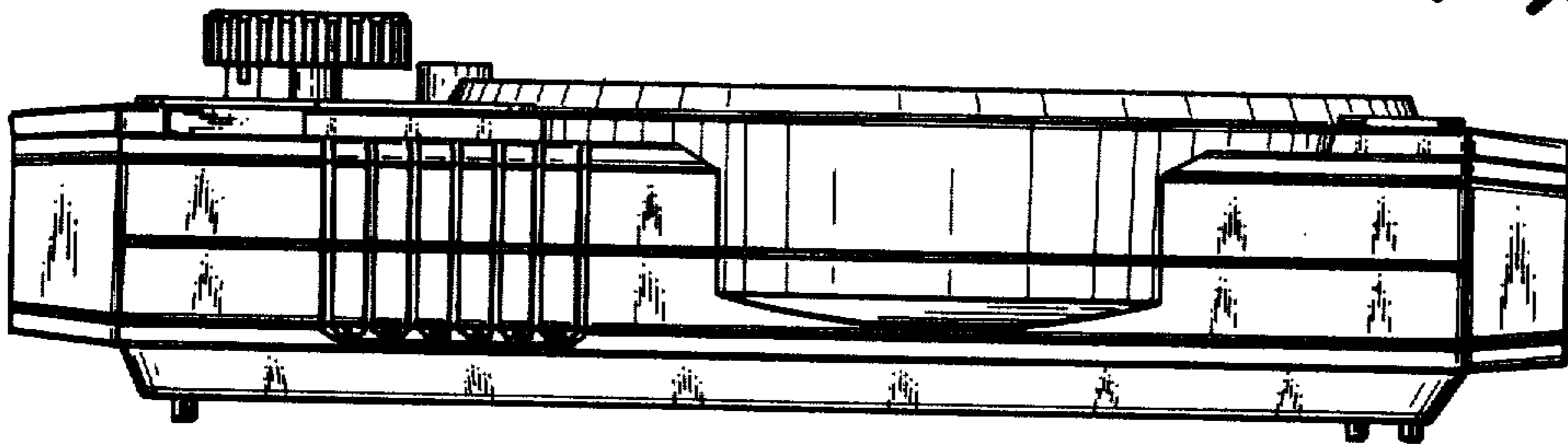


FIG. 4

