

[54] TOY SPACESHIP

D. 194,445 1/1963 Walker ..... 46/74 A

[75] Inventor: Andrew G. Probert, El Segundo, Calif.

OTHER PUBLICATIONS

[73] Assignee: Paramount Pictures Corporation, Los Angeles, Calif.

Western Aviation, 9-60, p. 7, Early Design Study shown center-right side of page. Centuri Flier 9-1979, "Star Fighter".

[\*\*] Term: 14 Years

Primary Examiner—Charles A. Rademaker  
Attorney, Agent, or Firm—Michael A. Painter

[21] Appl. No.: 36,535

[57] CLAIM

[22] Filed: May 7, 1979

The ornamental design for a toy spaceship, substantially as shown and described.

[51] Int. Cl. .... D21-01

DESCRIPTION

[52] U.S. Cl. .... D21/87

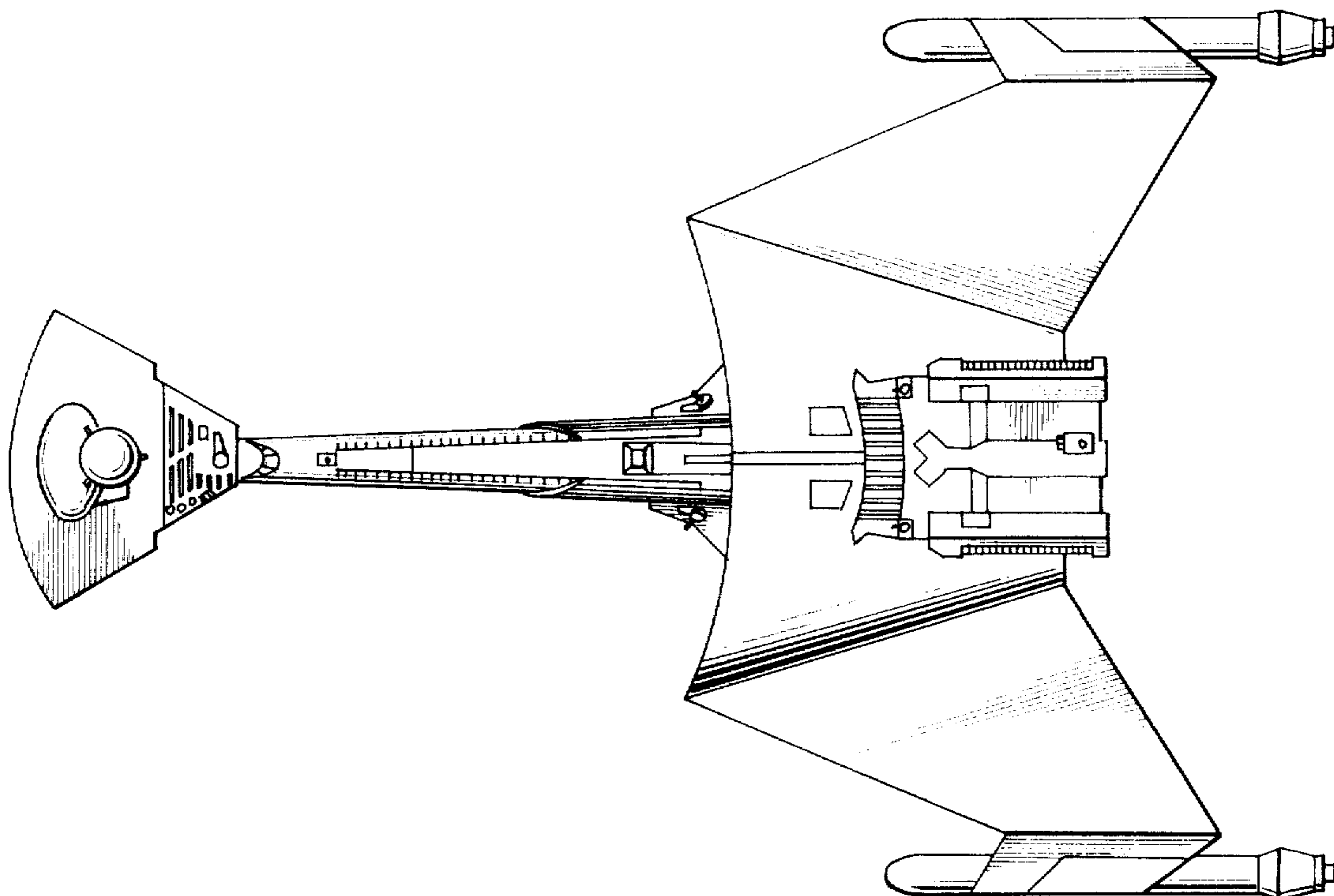
[58] Field of Search ..... D21/82, 86, 87, 88, D21/89, 90; D12/72; 46/74 R, 74 A, 74 C, 76 R, 1 H

FIG. 1 is a top plan view of a toy spaceship showing my new design;  
FIG. 2 is a side elevational view thereof, the opposite side being a mirror image;  
FIG. 3 is a bottom plan view thereof;  
FIG. 4 is a rear elevational view thereof;  
FIG. 5 is a front elevational view thereof.

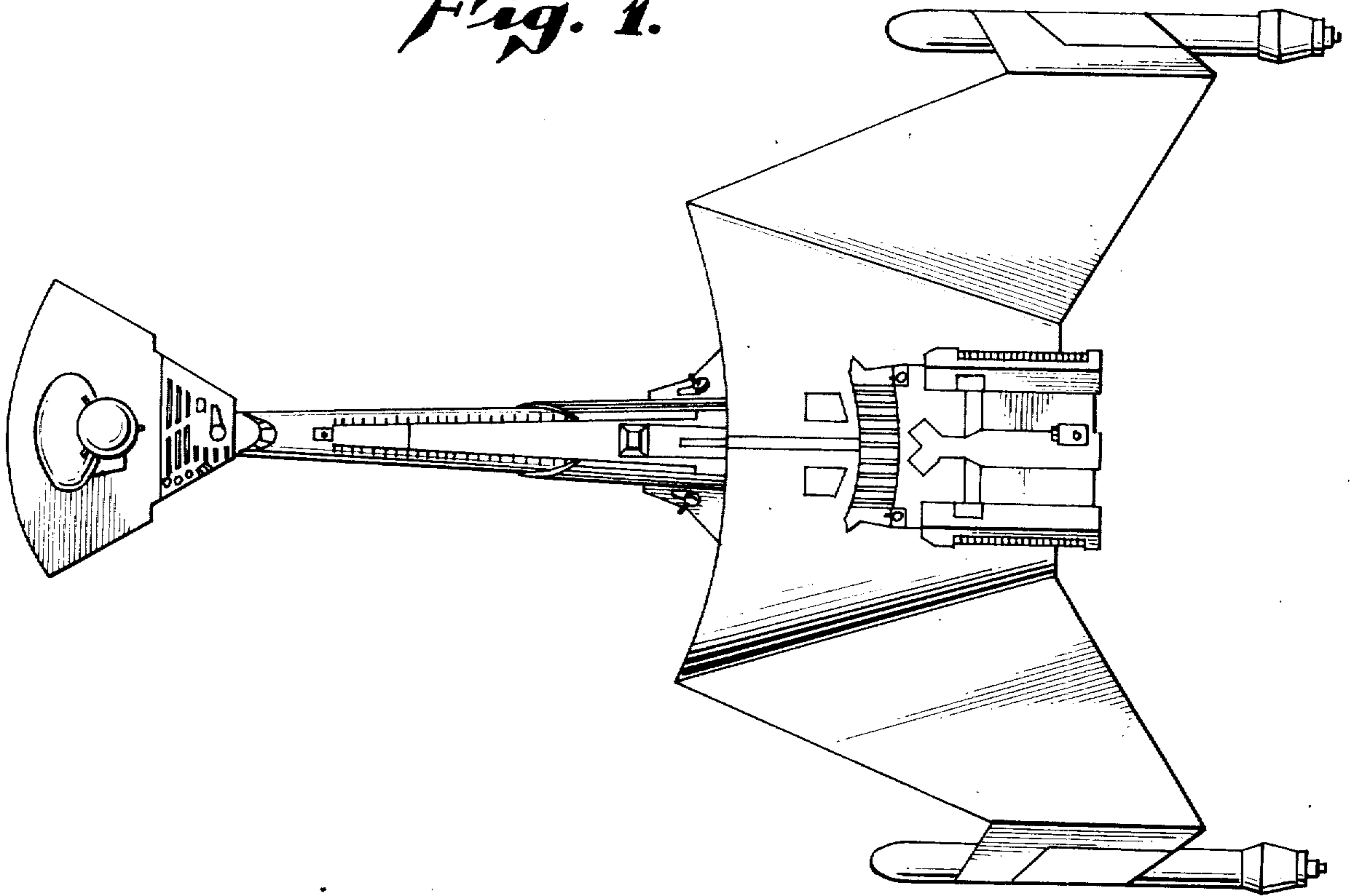
[56] References Cited

U.S. PATENT DOCUMENTS

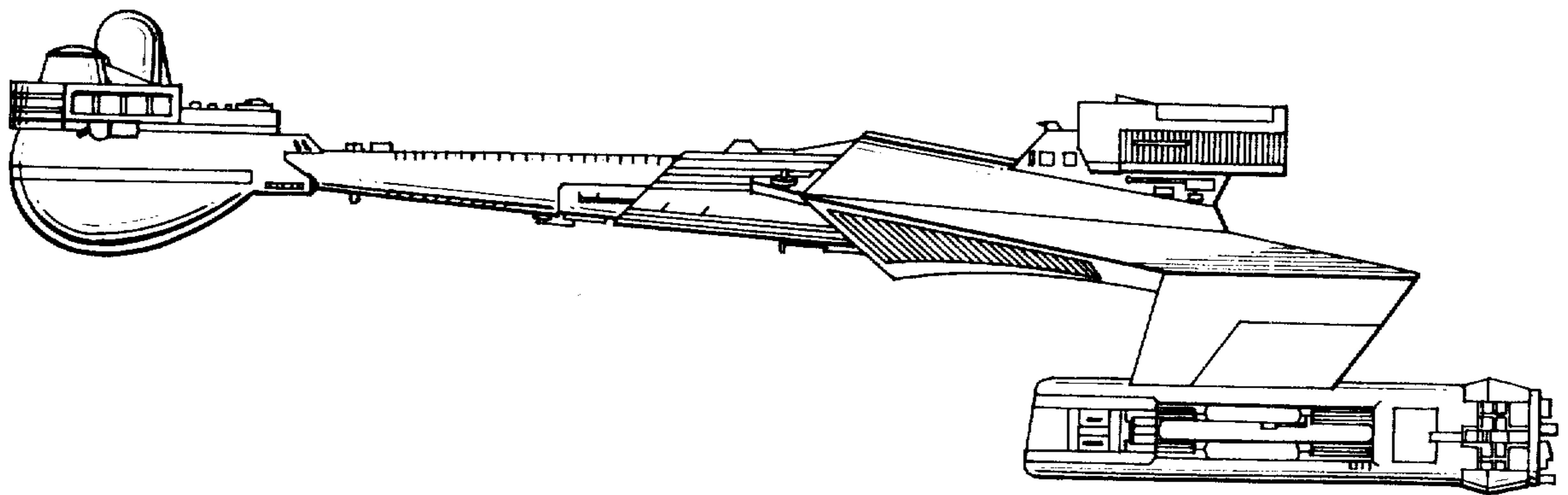
D. 170,025 7/1953 Myser ..... D21/90

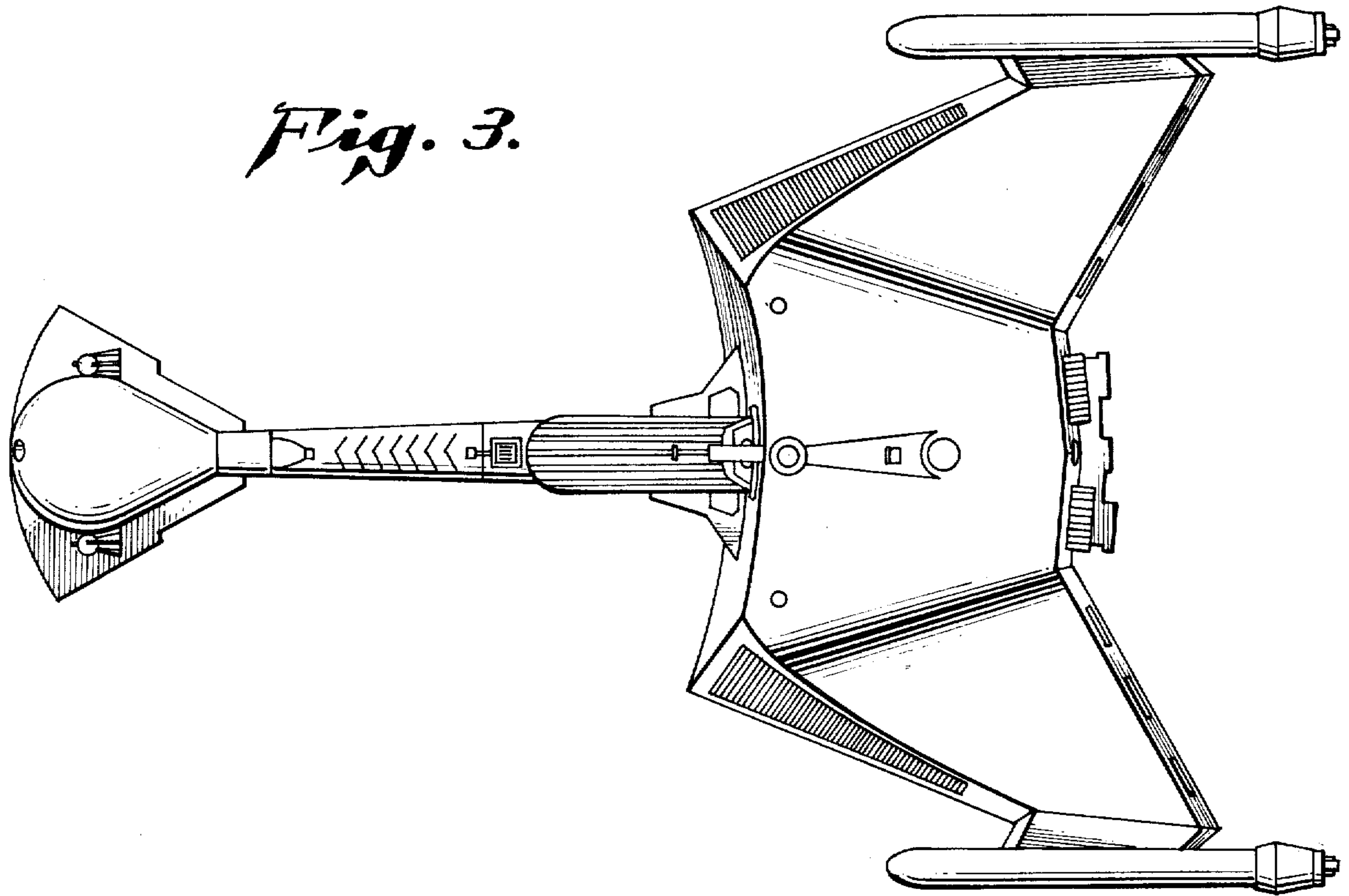


*Fig. 1.*

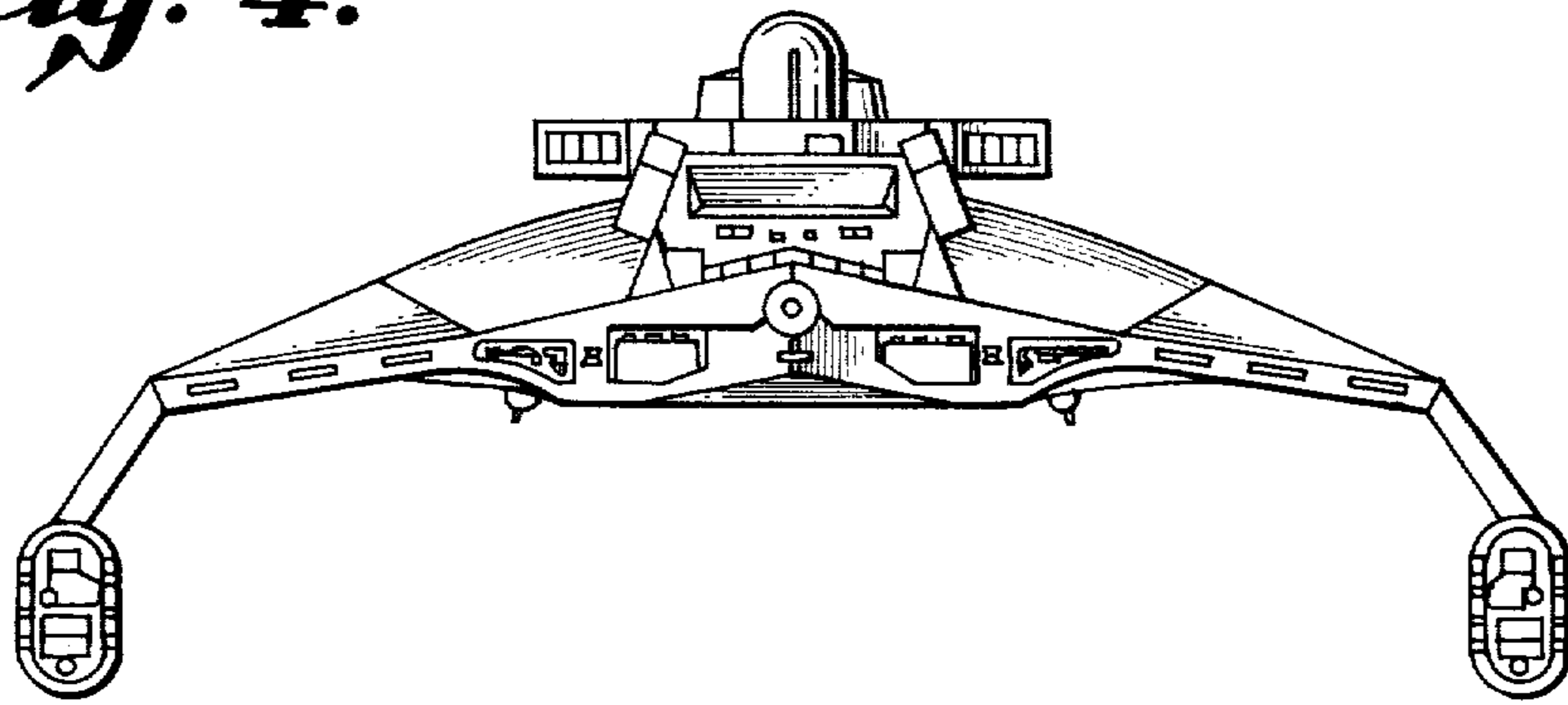


*Fig. 2.*





*Fig. 4.*



*Fig. 5.*

