

[54] CHIME TYPE MUSICAL INSTRUMENT OR THE LIKE

[76] Inventor: Brian T. Trimmer, 915 McKimmon Rd., Fayetteville, N.C. 28303

[\*\*] Term: 14 Years

[21] Appl. No.: 962,313

[22] Filed: Nov. 20, 1978

[51] Int. Cl. .... D17-04

[52] U.S. Cl. .... D17/22

[58] Field of Search ..... D17/7, 22, 23, 99; D21/64; D10/116; D11/141; 84/402-406

[56] References Cited

U.S. PATENT DOCUMENTS

D. 206,555	12/1966	Wolfanger	.....	D17/99
D. 250,455	12/1978	Mohrhauser	.....	D10/116
2,167,582	7/1939	McCord	.....	D10/116
3,229,021	1/1966	Baschet	.....	84/404 X

OTHER PUBLICATIONS

J. G. Deagan Musical Bells, Chicago, Cat. p. 4, Item #16, Organ Chimes.

*Percussion Instruments & Their History*, J. Blades, ©'74, Fig. 178, between pp. 400 & 401.

*The Music Trades*, 11/77, p. 88, "Mark Tree".

Primary Examiner—Jane E. Corrigan

Attorney, Agent, or Firm—Mills and Coats

[57] CLAIM

The ornamental design for a chime type musical instrument or the like, as shown and described.

DESCRIPTION

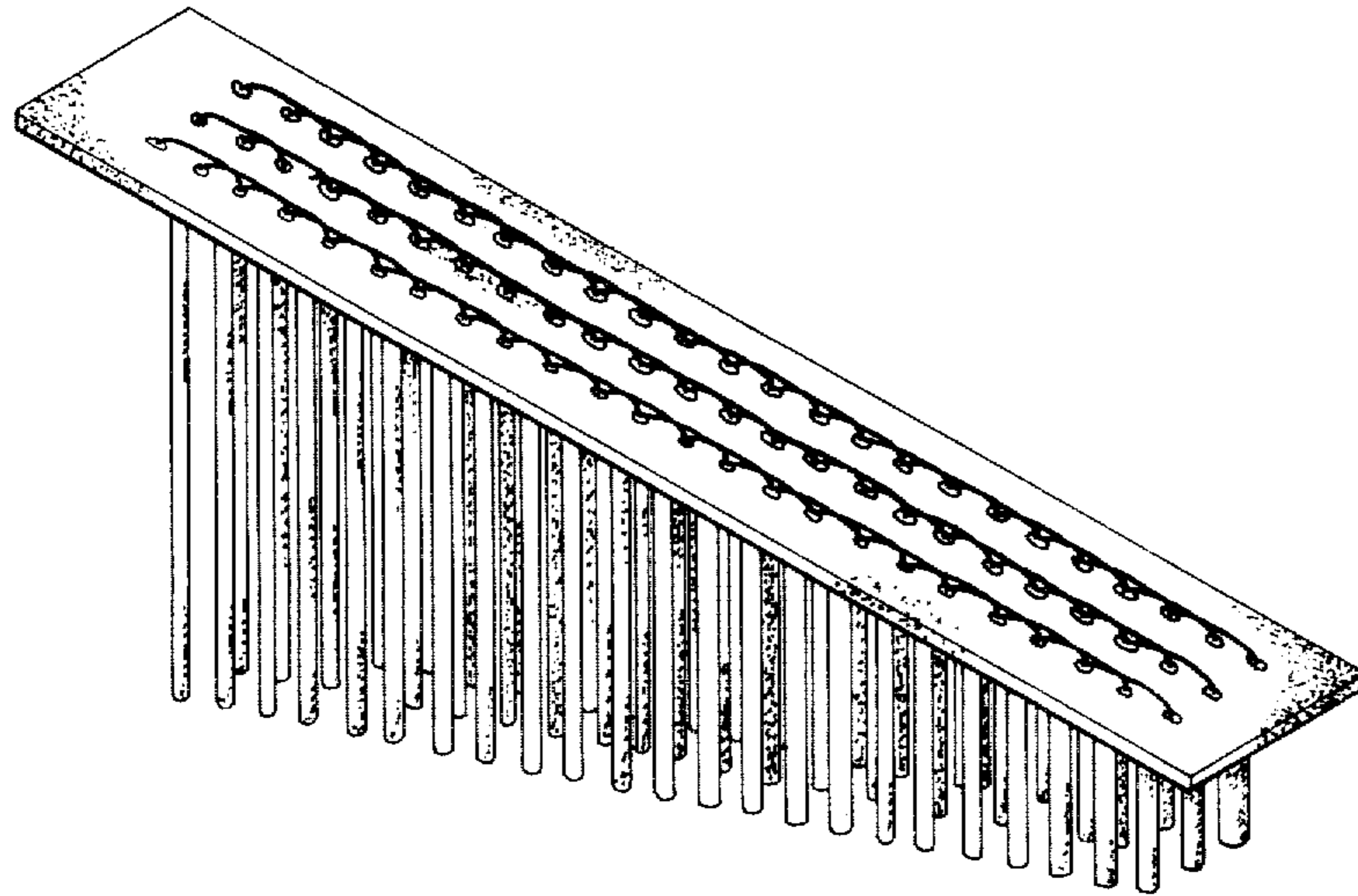
FIG. 1 is a top perspective view of a chime type musical instrument showing my new design;

FIG. 2 is a left side elevational view thereof, the right side being substantially a mirror image of the left;

FIG. 3 is a bottom plan view thereof;

FIG. 4 is a front elevational view thereof; and

FIG. 5 is a rear elevational view thereof.



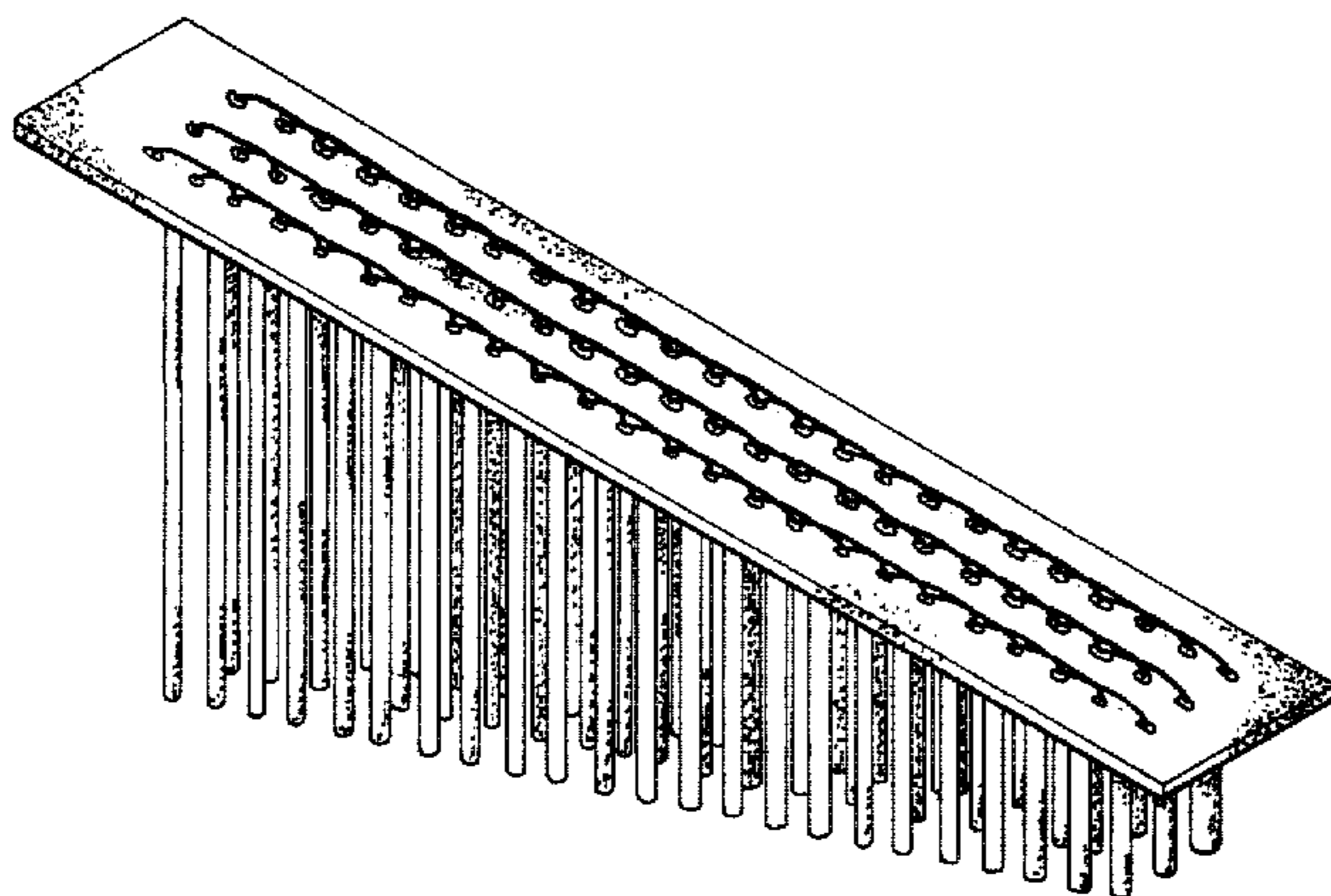


FIG. 1

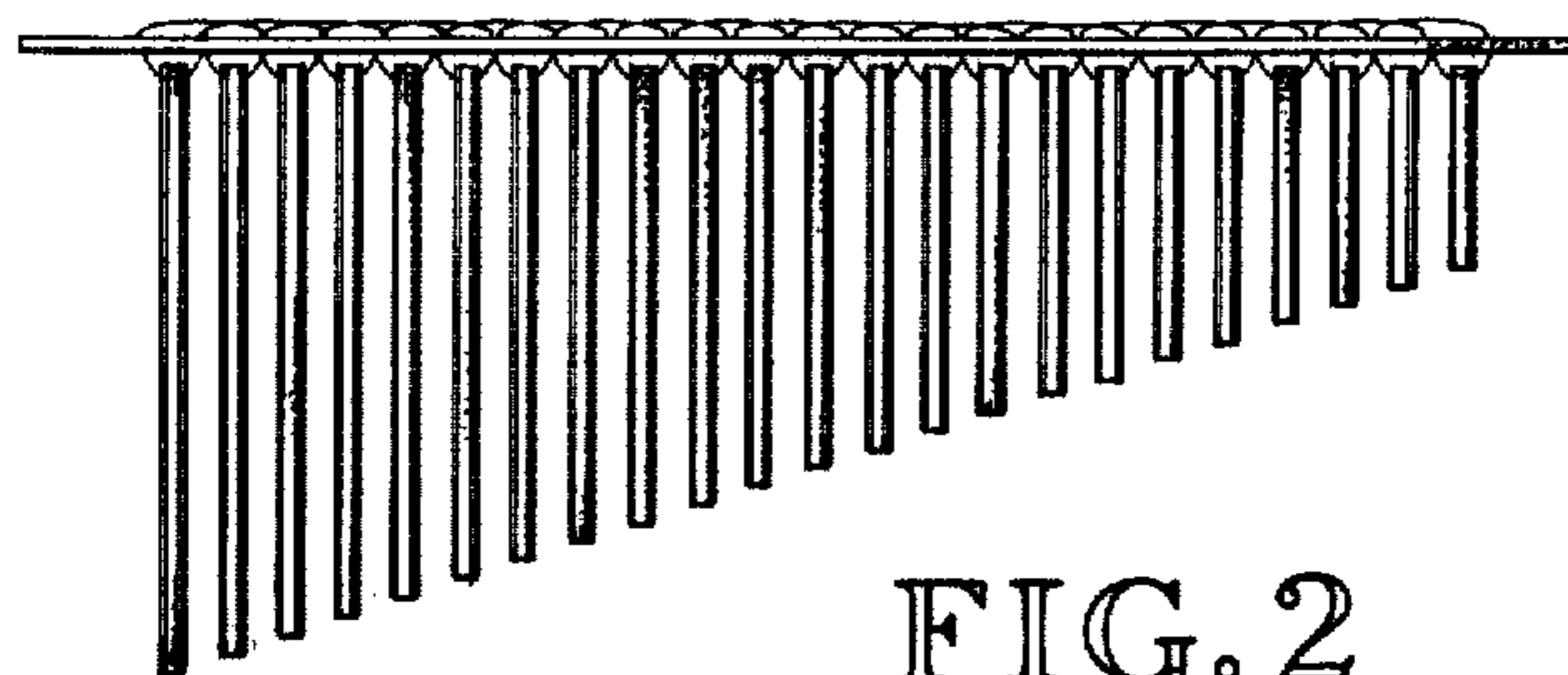


FIG. 2

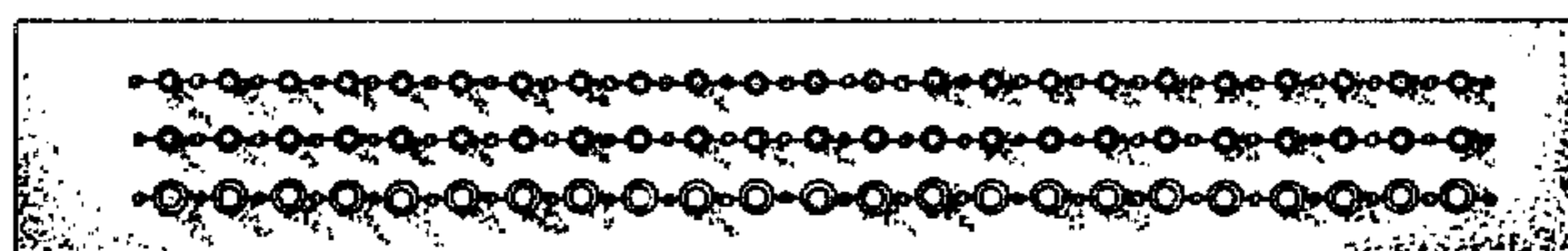


FIG. 3

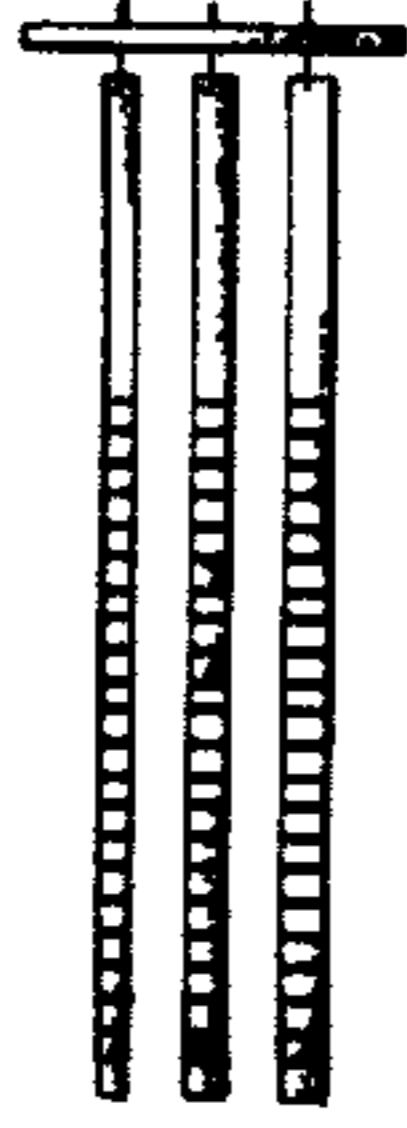


FIG. 4

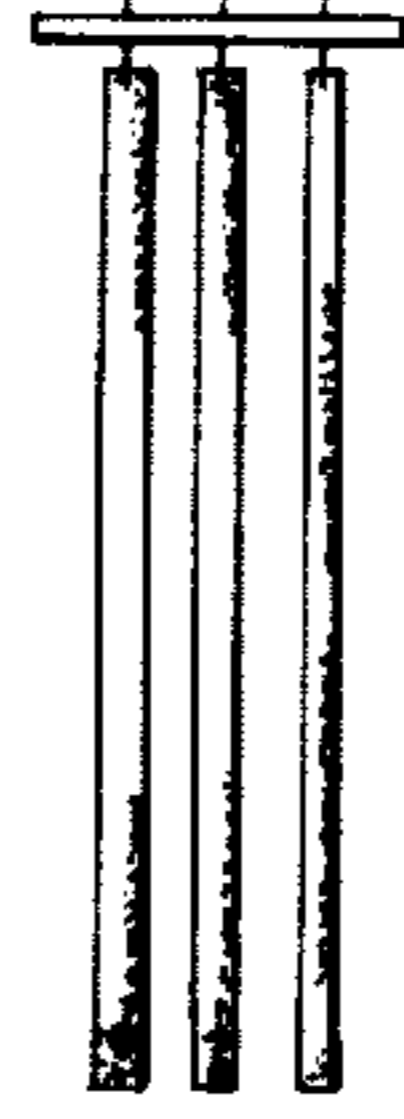


FIG. 5