

[54] PHOTOGRAPHIC CAMERA
[75] Inventors: Norbert Schlagheck; Herbert Schultes, both of Fuerstenfeldbruck; Karlheinz Rubner, Munich, all of Fed. Rep. of Germany

[73] Assignee: AGFA-Gevaert AG, Leverkusen, Fed. Rep. of Germany

[**] Term: 14 Years

[21] Appl. No.: 90,441

[22] Filed: Nov. 1, 1979

[30] Foreign Application Priority Data
May 19, 1979 [DE] Fed. Rep. of Germany G162/79

[51] Int. Cl. D16-01

[52] U.S. Cl. D16/5

[58] Field of Search D16/1-10;
354/81, 82, 187-194, 202, 288

[56] References Cited
U.S. PATENT DOCUMENTS

- D. 244,685 6/1977 Hansen et al. D16/5
- D. 254,136 2/1980 Stemme et al. D16/5
- 1,870,620 8/1932 Fuerst D16/5

4,068,248 1/1978 Pizzuti et al. 354/187

Primary Examiner—Peter M. Caun
Attorney, Agent, or Firm—Michael J. Striker

[57] CLAIM

The ornamental design for a photographic camera, substantially as shown and described.

DESCRIPTION

FIG. 1 is a front perspective front view of a photographic camera embodying our novel design, when fully unfolded,

FIG. 2 is a front view thereof,

FIG. 3 is a rear view thereof,

FIG. 4 is a top-plan view thereof,

FIG. 5 is a bottom-plan view thereof,

FIG. 6 is a right-side view thereof,

FIG. 7 is a left-side view thereof,

FIG. 8 is a front perspective front view of the photographic camera embodying our novel design, when fully folded,

FIG. 9 is a front view thereof,

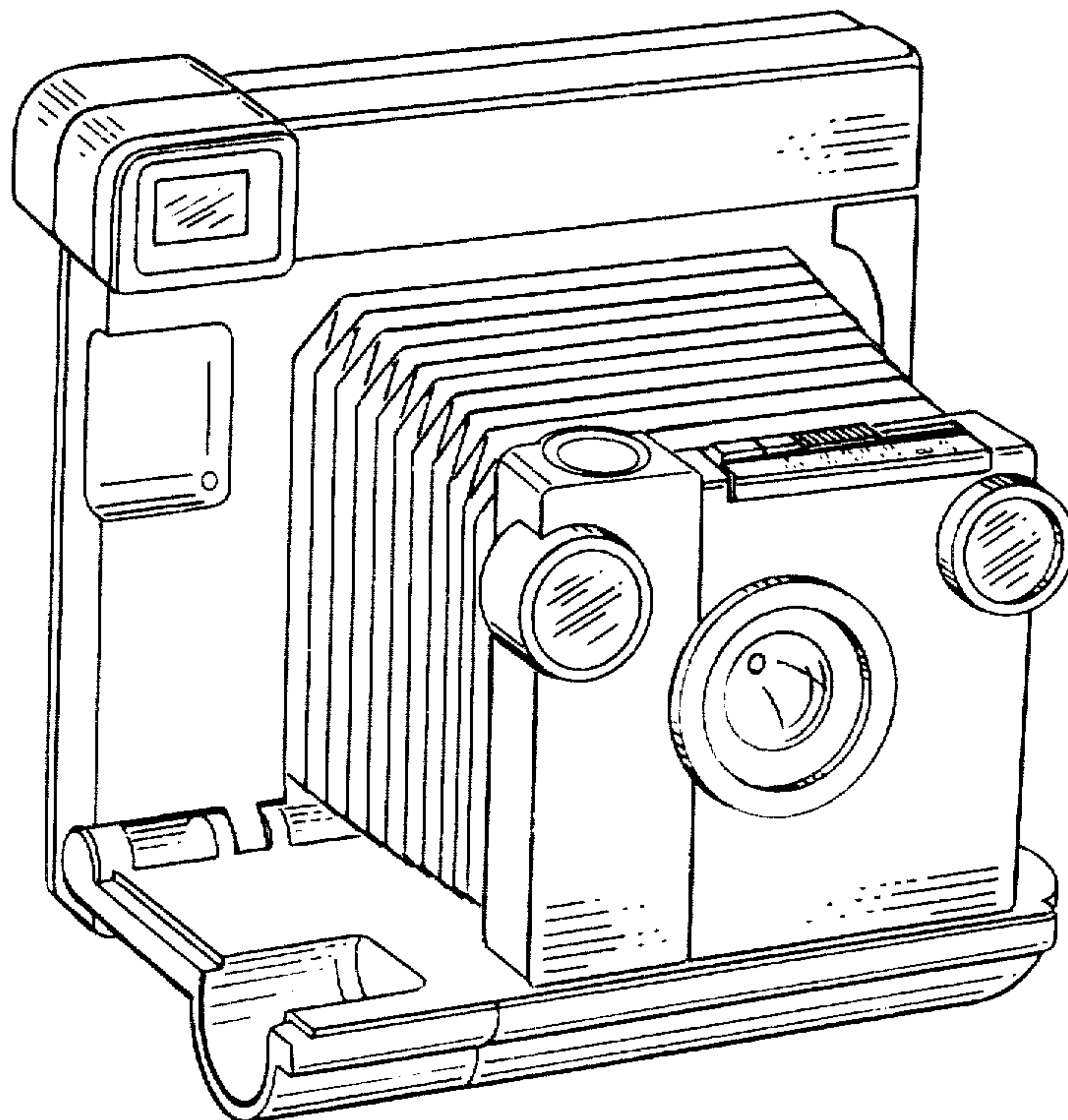
FIG. 10 is a rear view thereof,

FIG. 11 is a top-plan view thereof,

FIG. 12 is a bottom-plan view thereof,

FIG. 13 is a right-side view thereof,

FIG. 14 is a left-side view thereof.



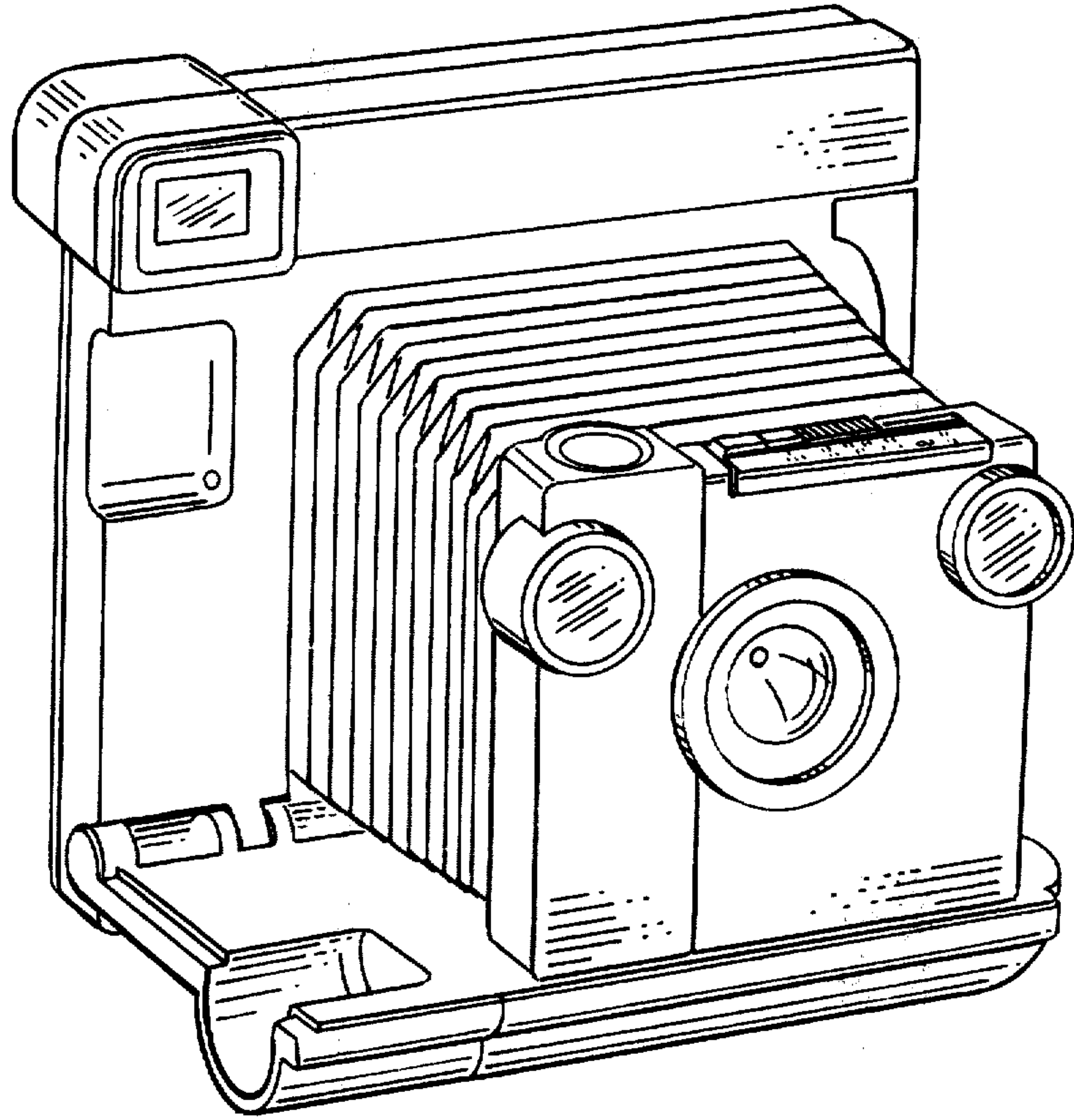


Fig.1

Fig. 6

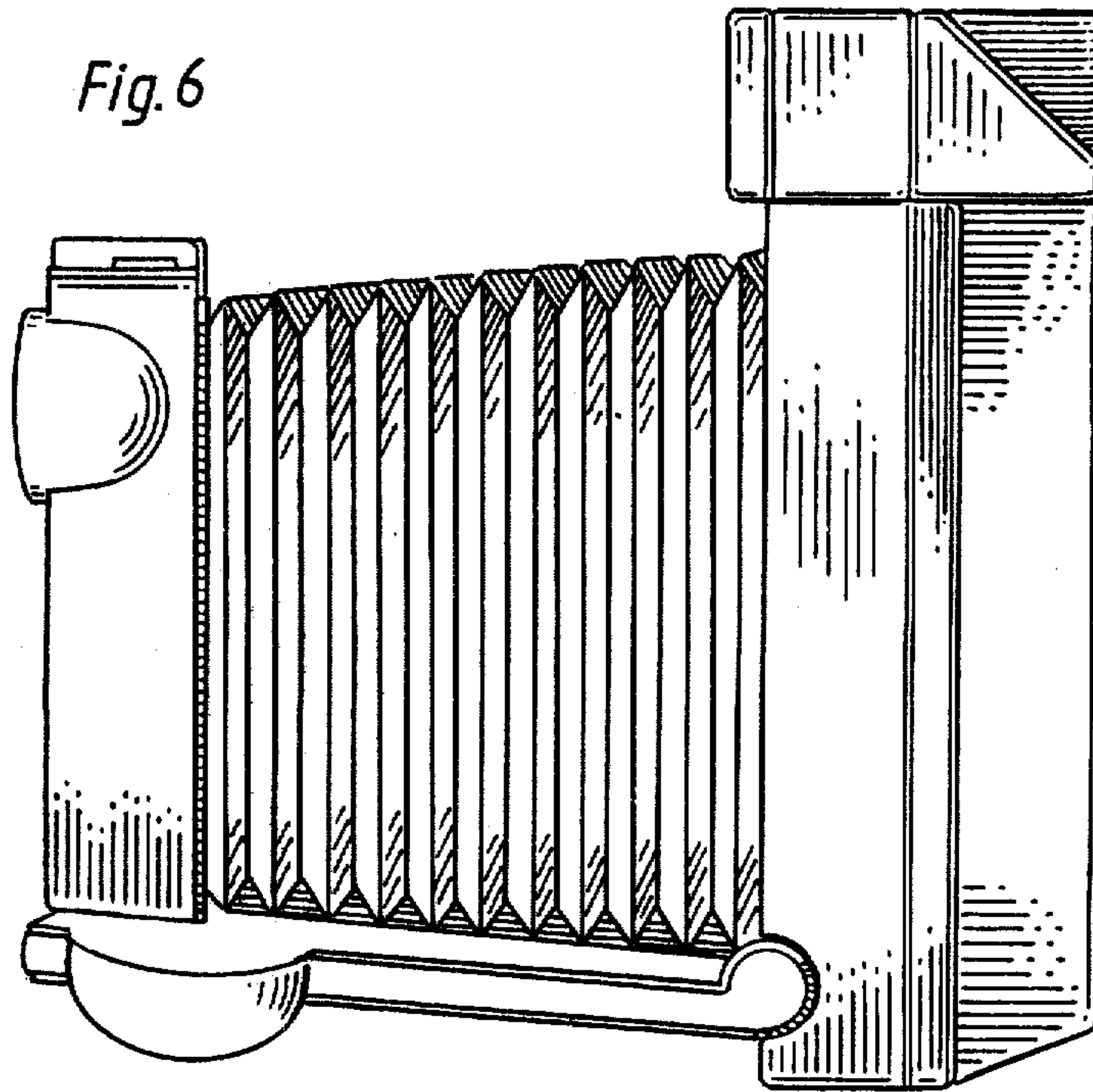
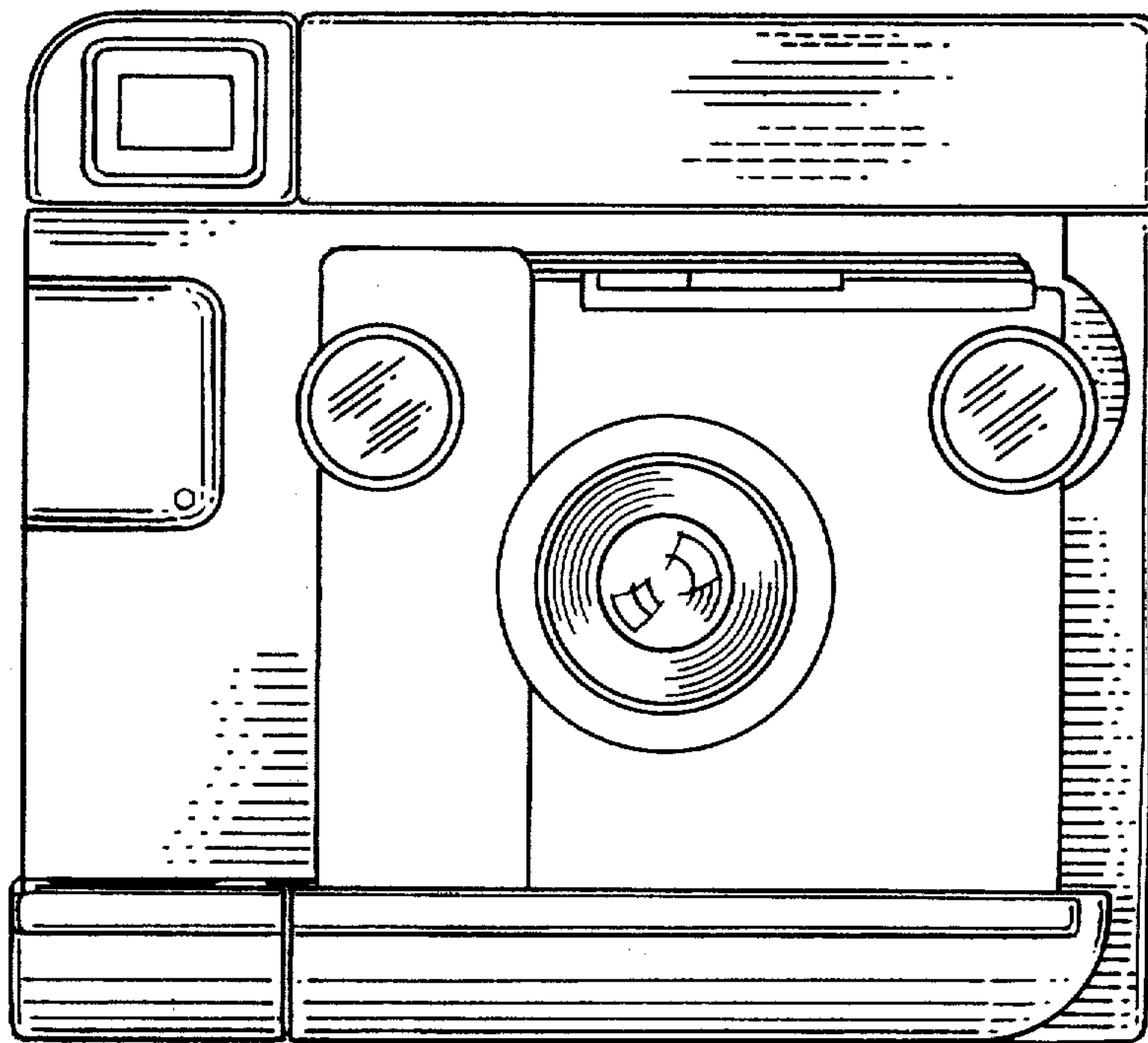


Fig. 2



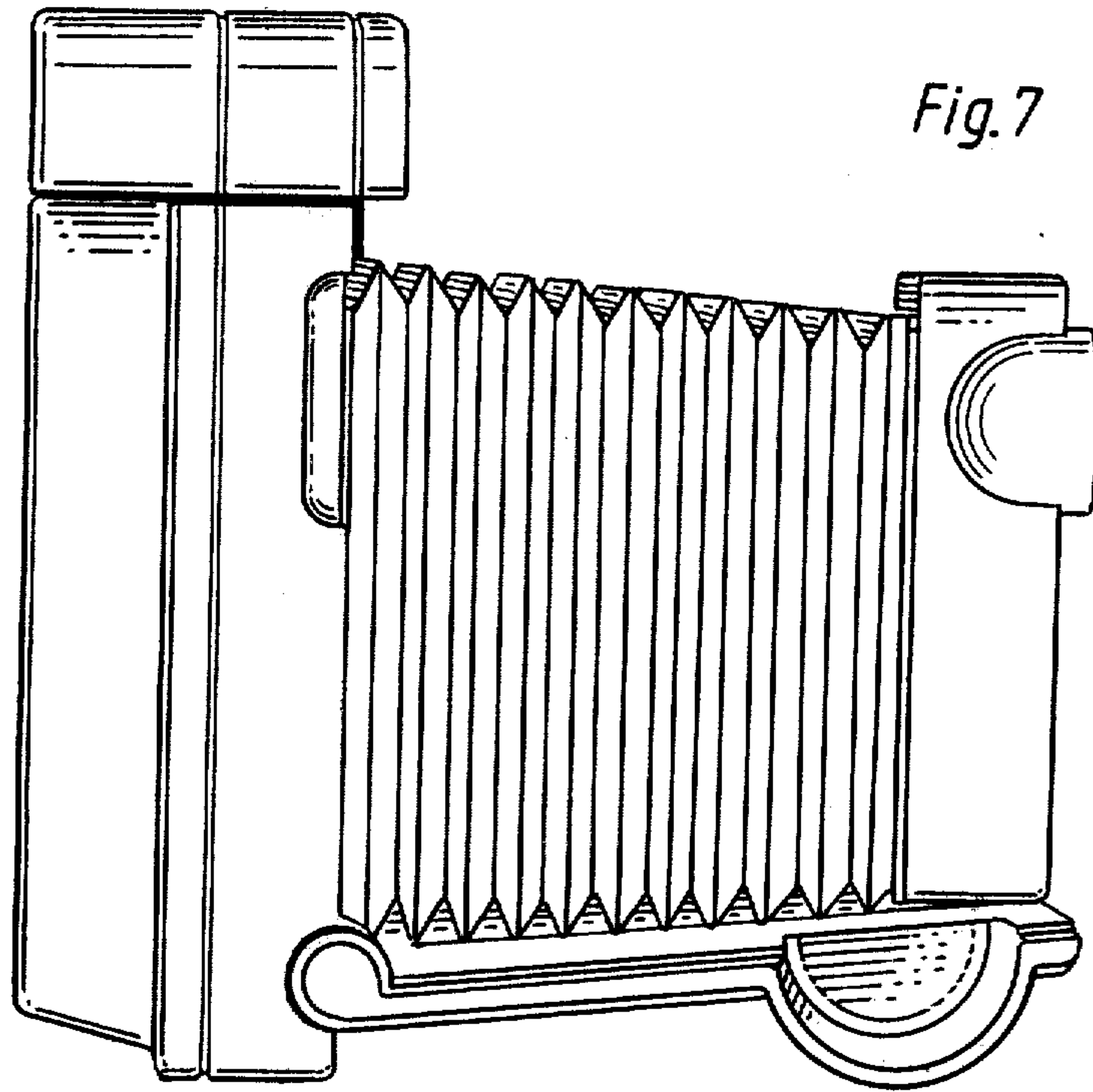


Fig. 7

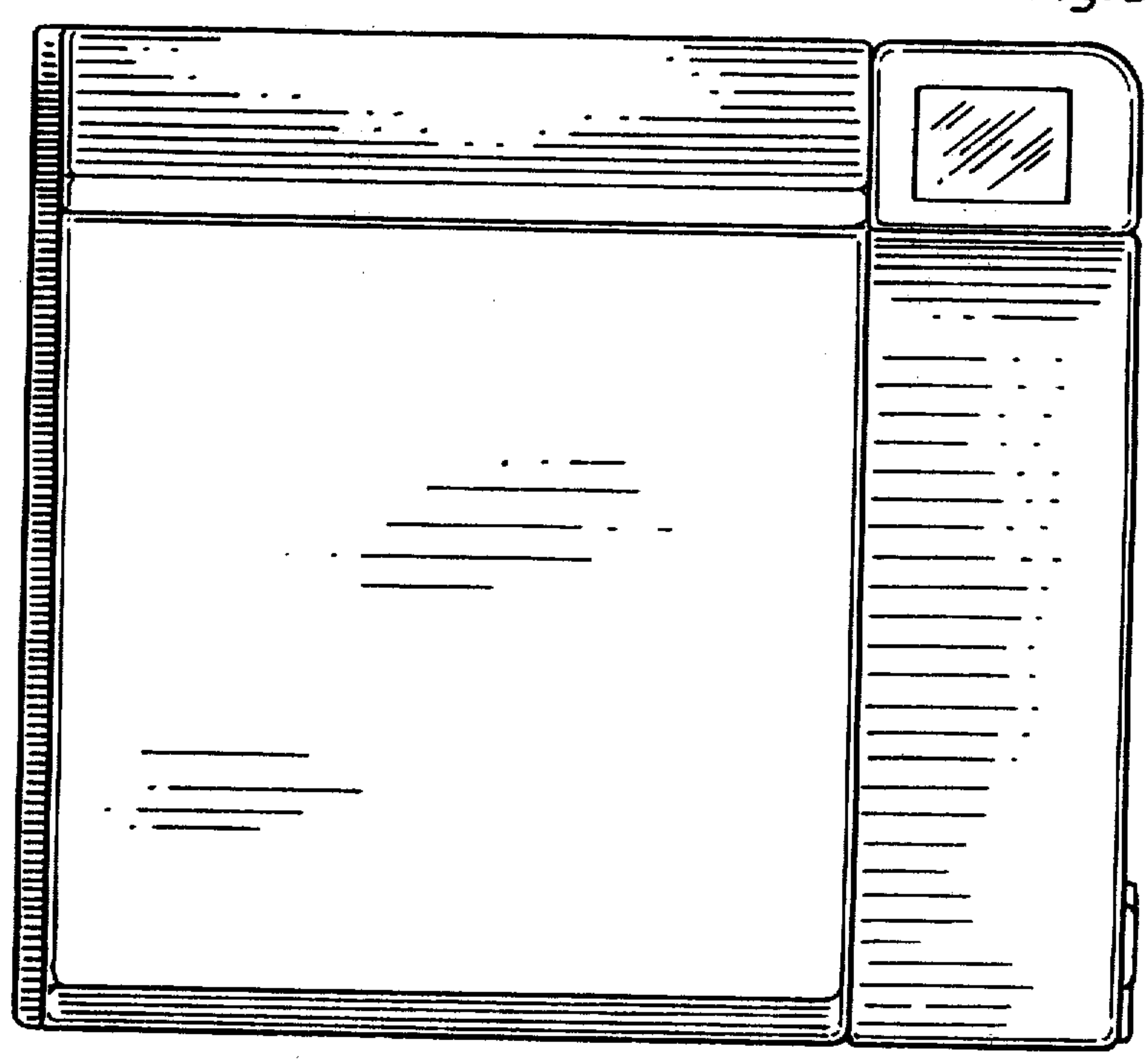


Fig. 3

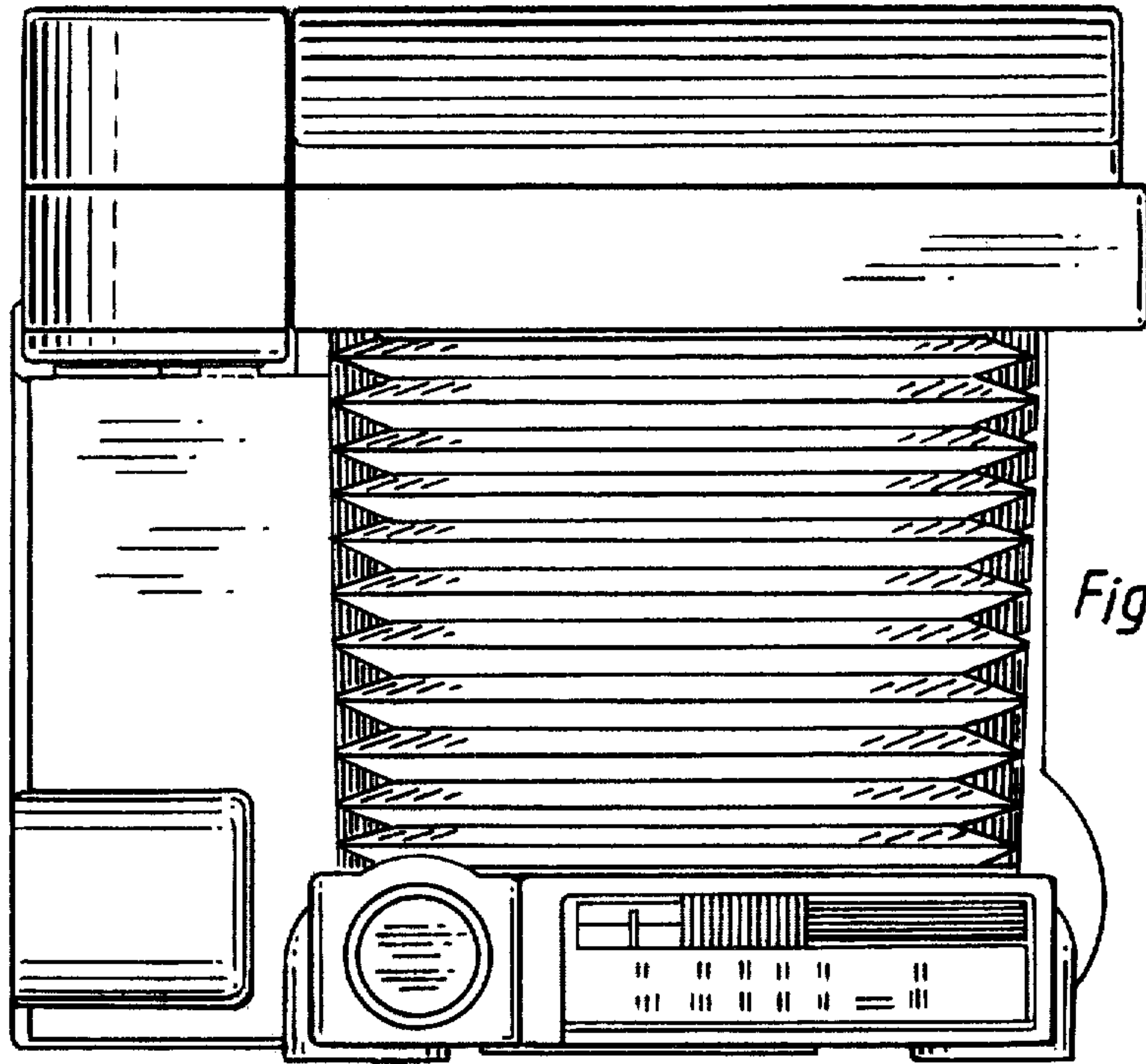


Fig. 4

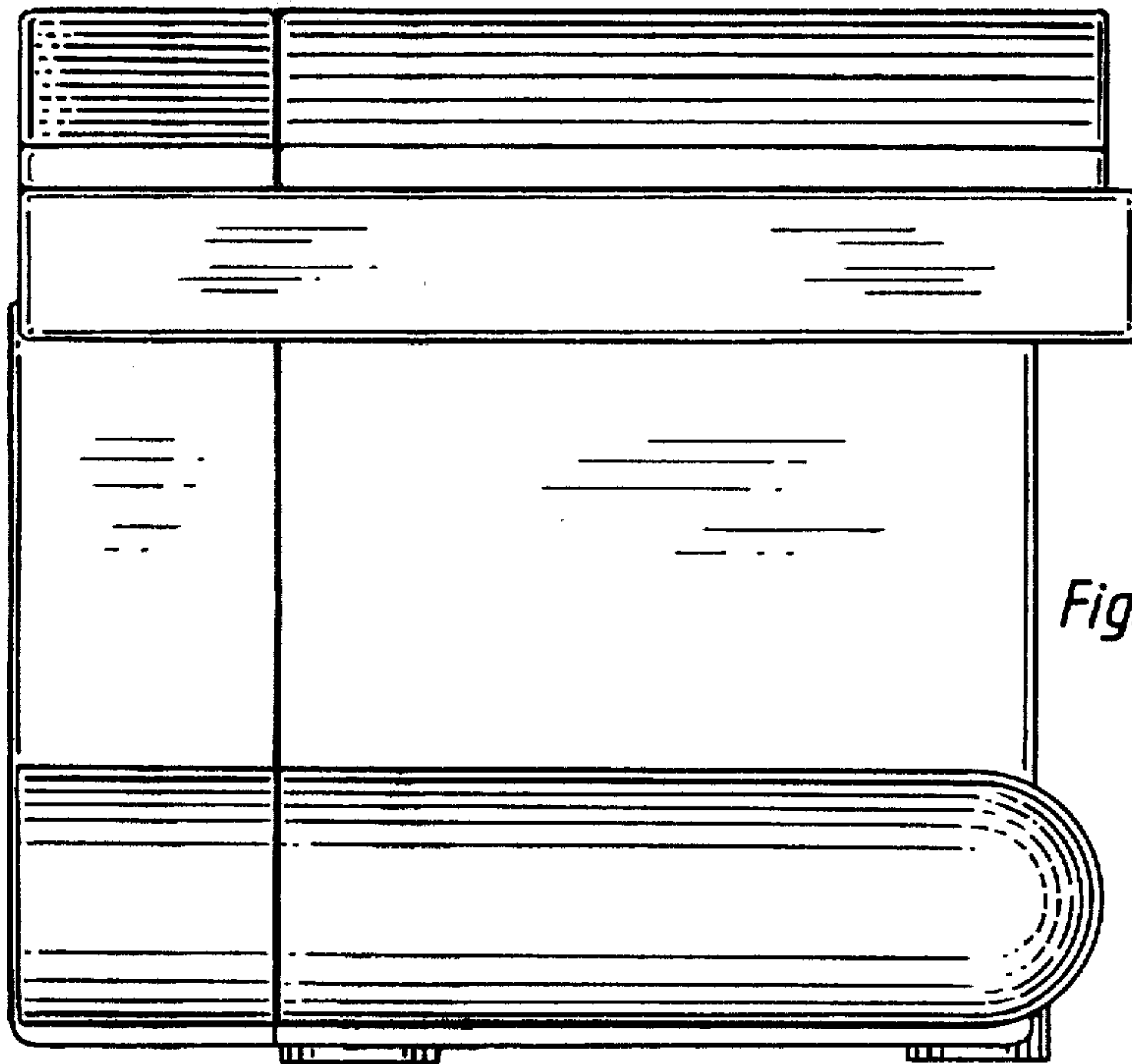


Fig. 5

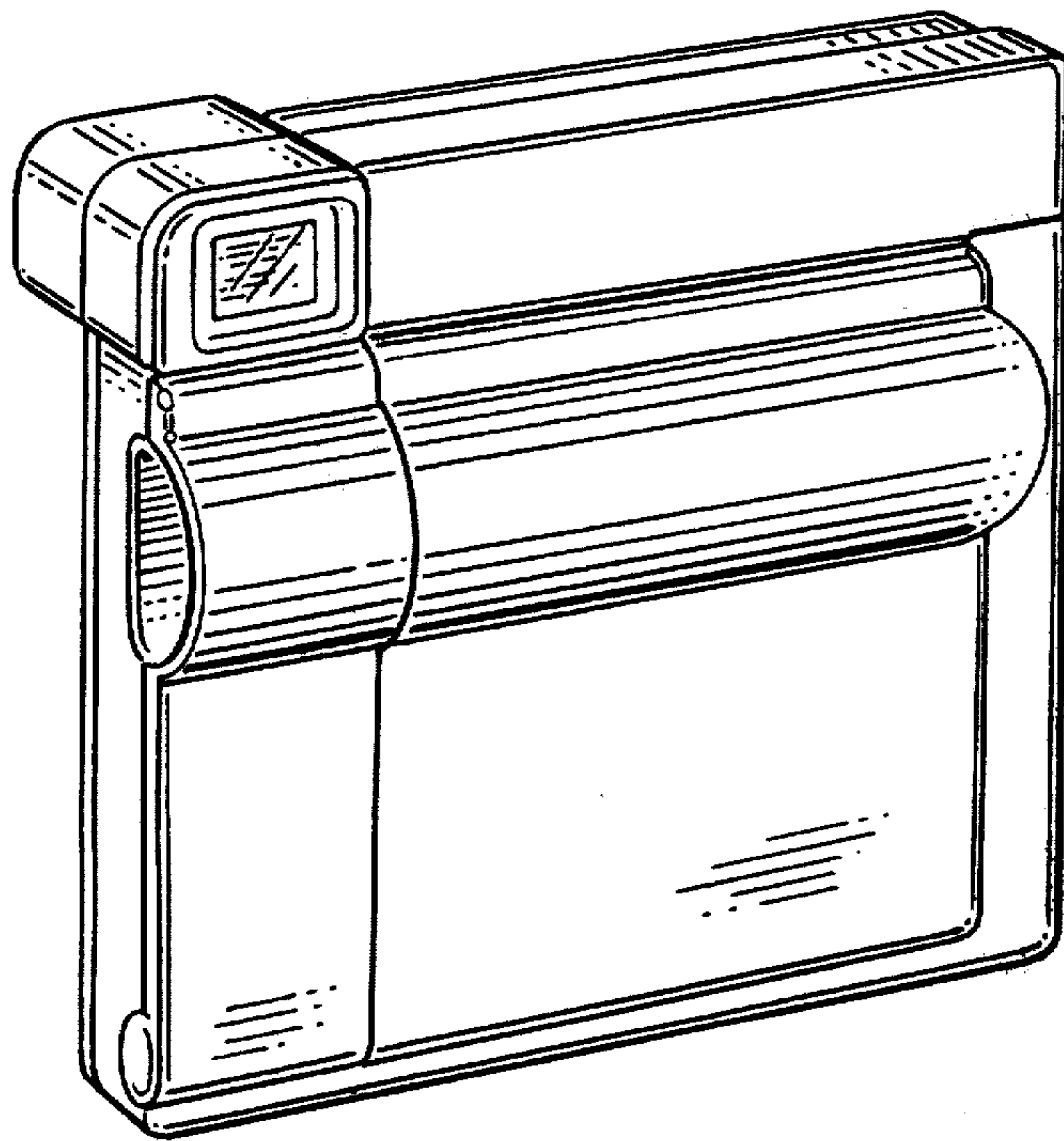


Fig. 8

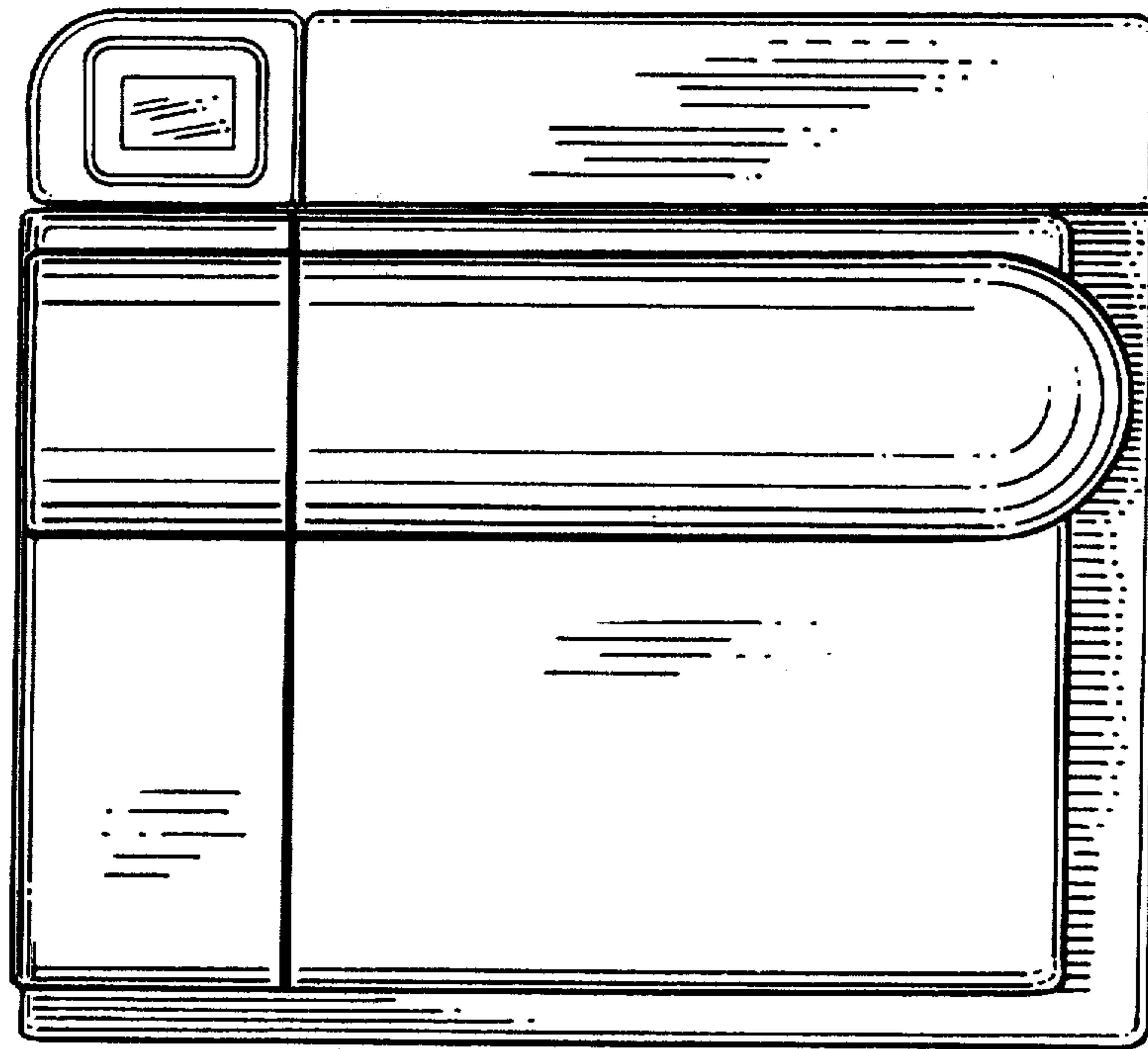


Fig. 9

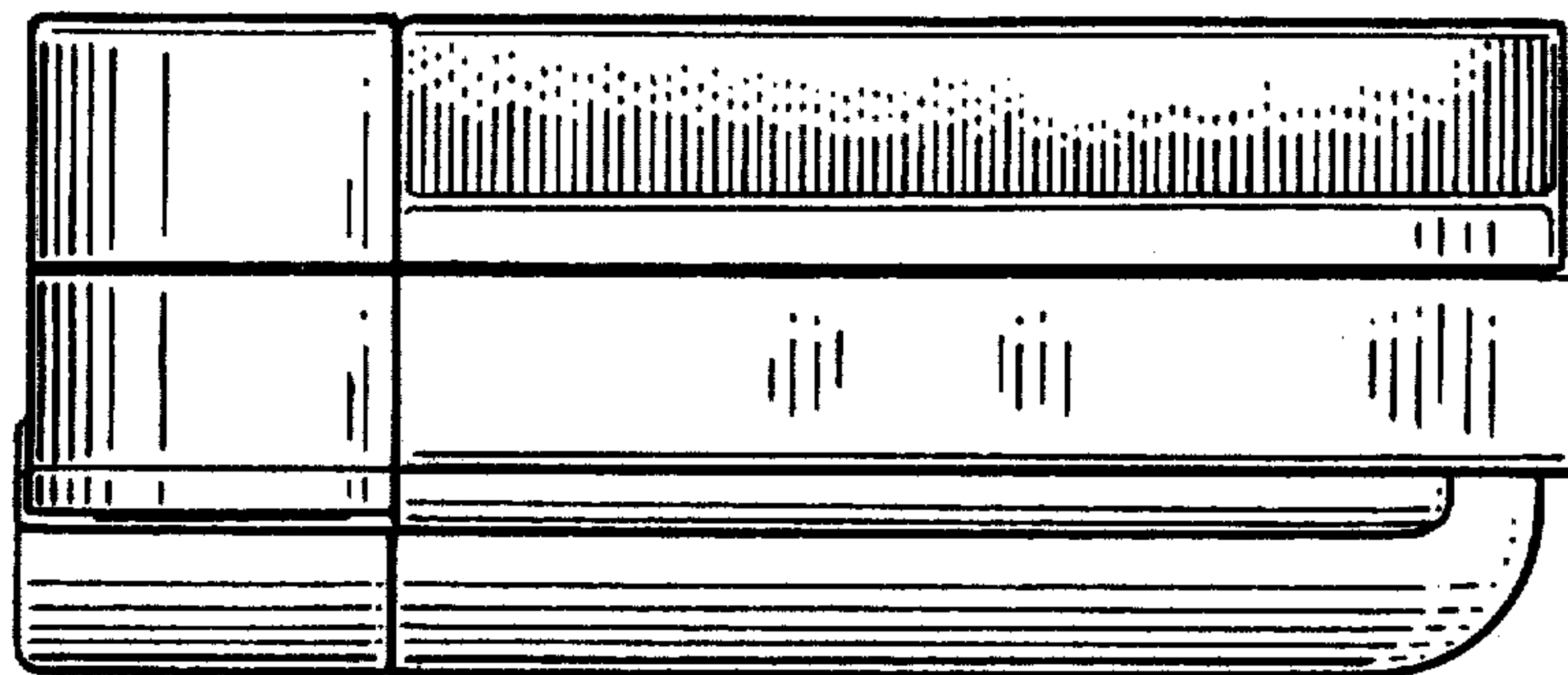


Fig. 11

Fig. 10

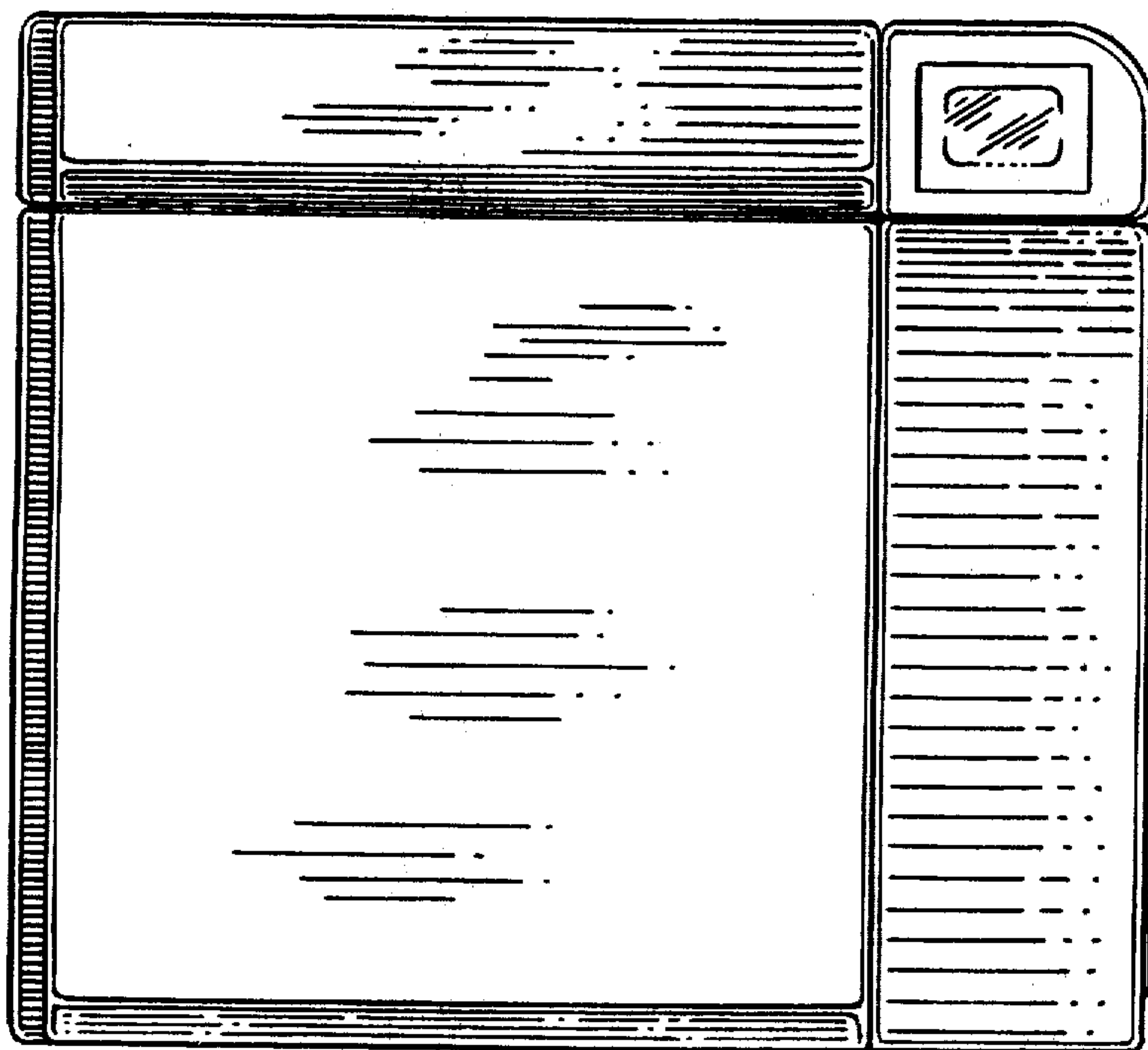
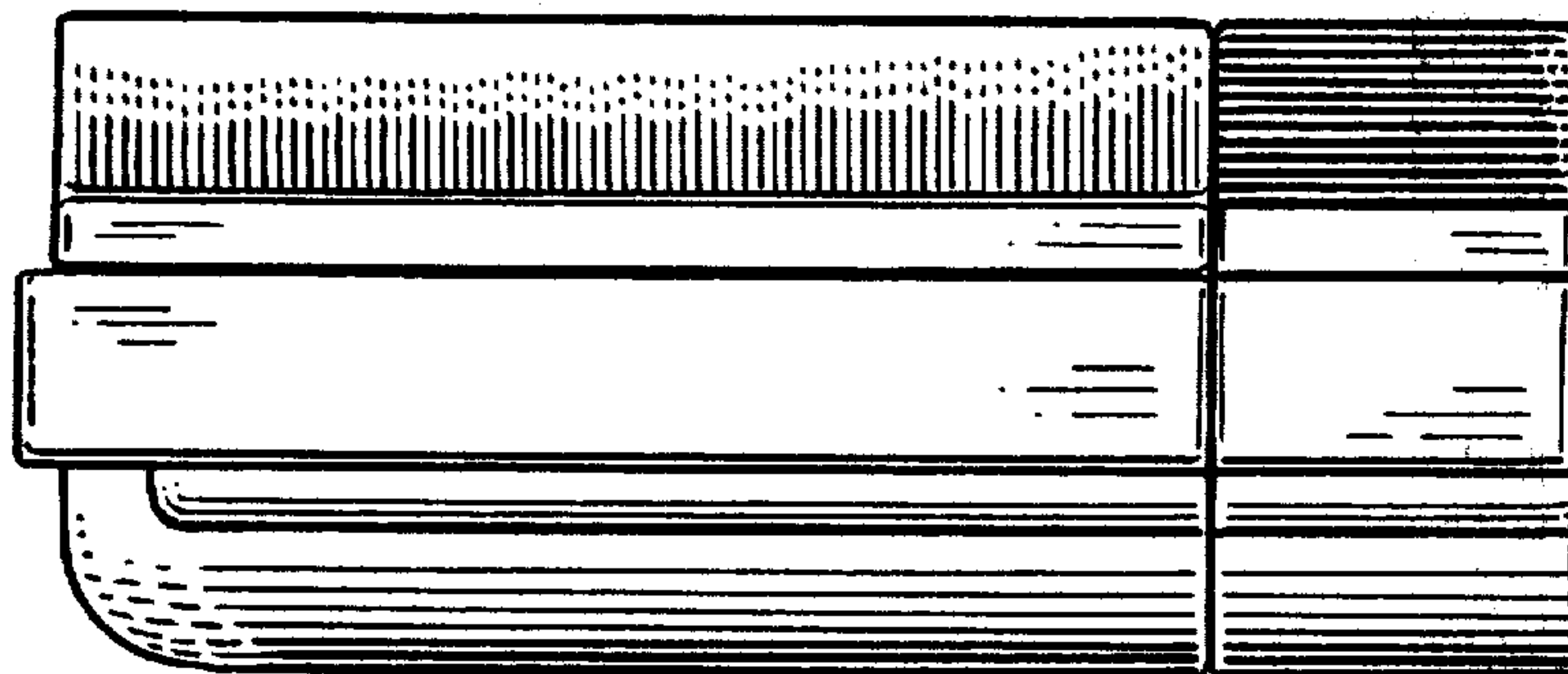


Fig. 12



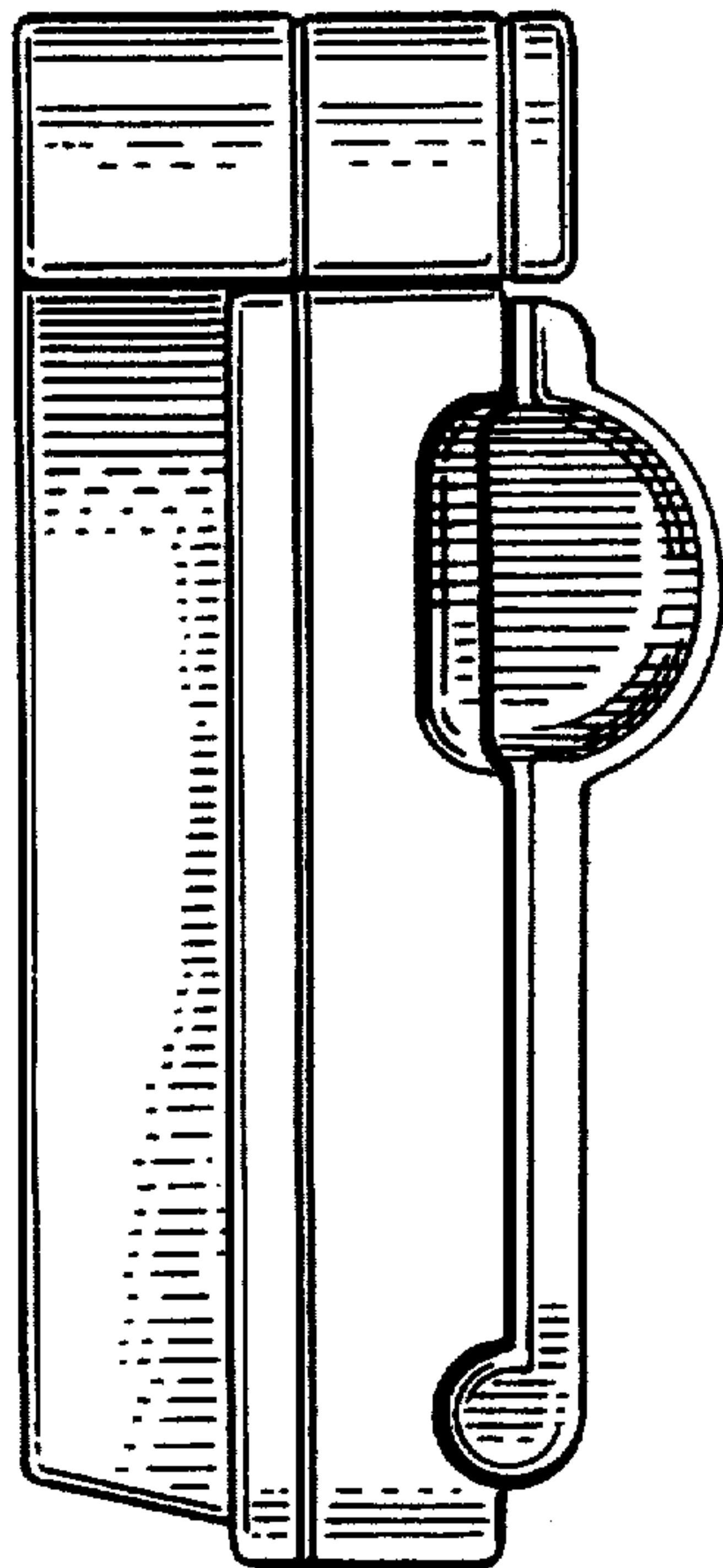


Fig. 14

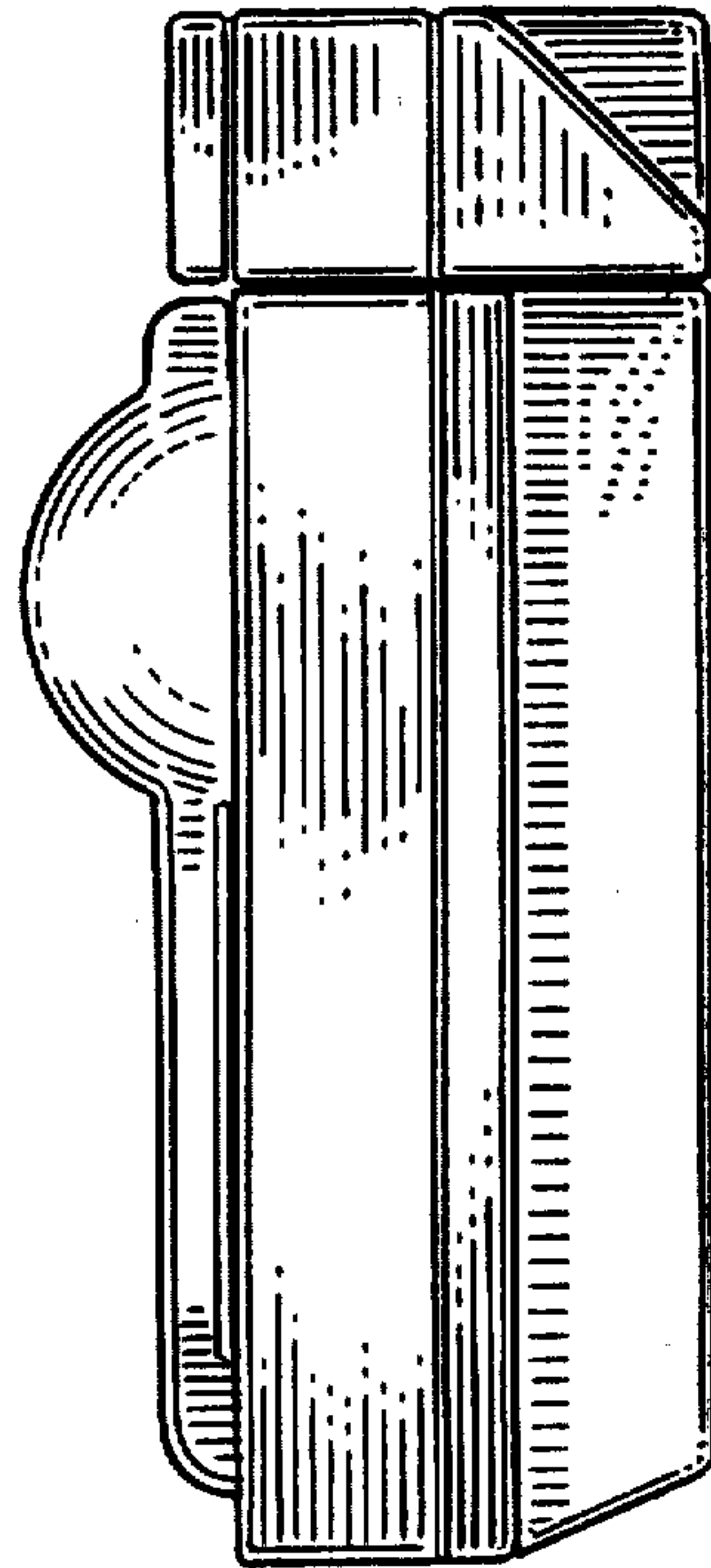


Fig. 13