

[54] **PISTON PUMP**
 [75] **Inventor: Ramon Pareja, Edina, Minn.**
 [73] **Assignee: Lear Siegler, Inc., Santa Monica, Calif.**
 [**] **Term: 14 Years**
 [21] **Appl. No.: 106,450**
 [22] **Filed: Dec. 26, 1979**
 [51] **Int. Cl. D15-02**
 [52] **U.S. Cl. D15/7**
 [58] **Field of Search D15/7-9; 417/534, 536, 539**

3,413,929 12/1968 Cook et al. 417/273
 3,431,865 3/1969 Cook et al. 417/571
 3,744,936 7/1973 Sadler 417/536
 3,871,793 3/1975 Olson, Jr. 417/534
 4,242,062 12/1980 Pareja 417/536

Primary Examiner—James R. Largen
Attorney, Agent, or Firm—Orrin M. Haugen; Thomas J. Nikolai

[57] **CLAIM**

The ornamental design for a piston pump, substantially as shown and described.

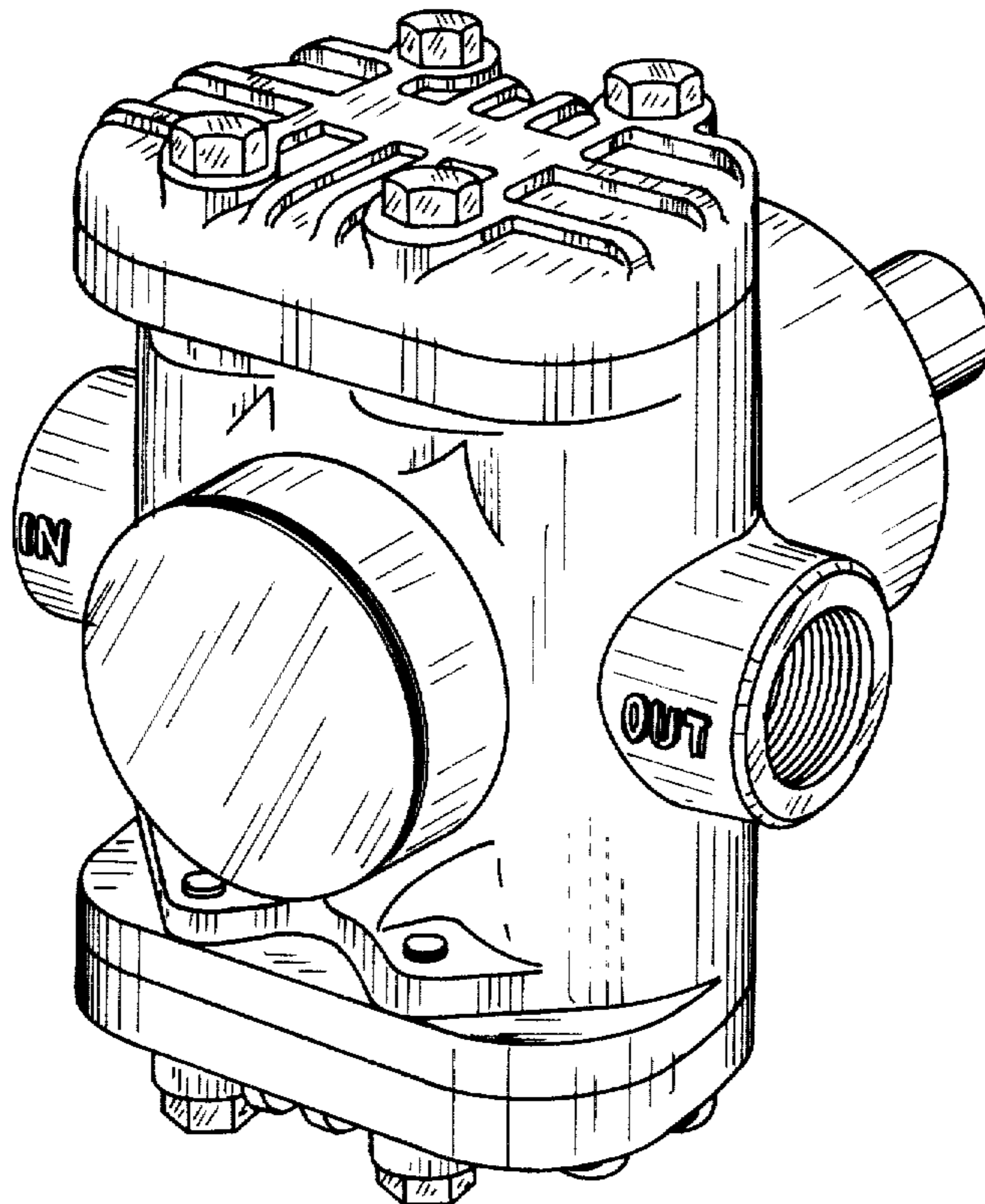
DESCRIPTION

FIG. 1 is a front perspective view of a piston pump showing my new design;
 FIG. 2 is a top plan view thereof, the bottom being a mirror image of the top shown;
 FIG. 3 is a rear elevational view thereof;
 FIG. 4 is a front elevational view thereof; and
 FIG. 5 is an elevational view taken from one side thereof, the opposite side being a mirror image of the side shown.

[56] **References Cited**

U.S. PATENT DOCUMENTS

D. 233,260 10/1974 Sadler et al. D15/7
 D. 233,800 11/1974 Sadler et al. D15/7
 D. 243,796 3/1977 Pareja D15/7
 D. 245,779 9/1977 Nobata D15/9
 3,238,890 3/1966 Sadler et al. 417/536



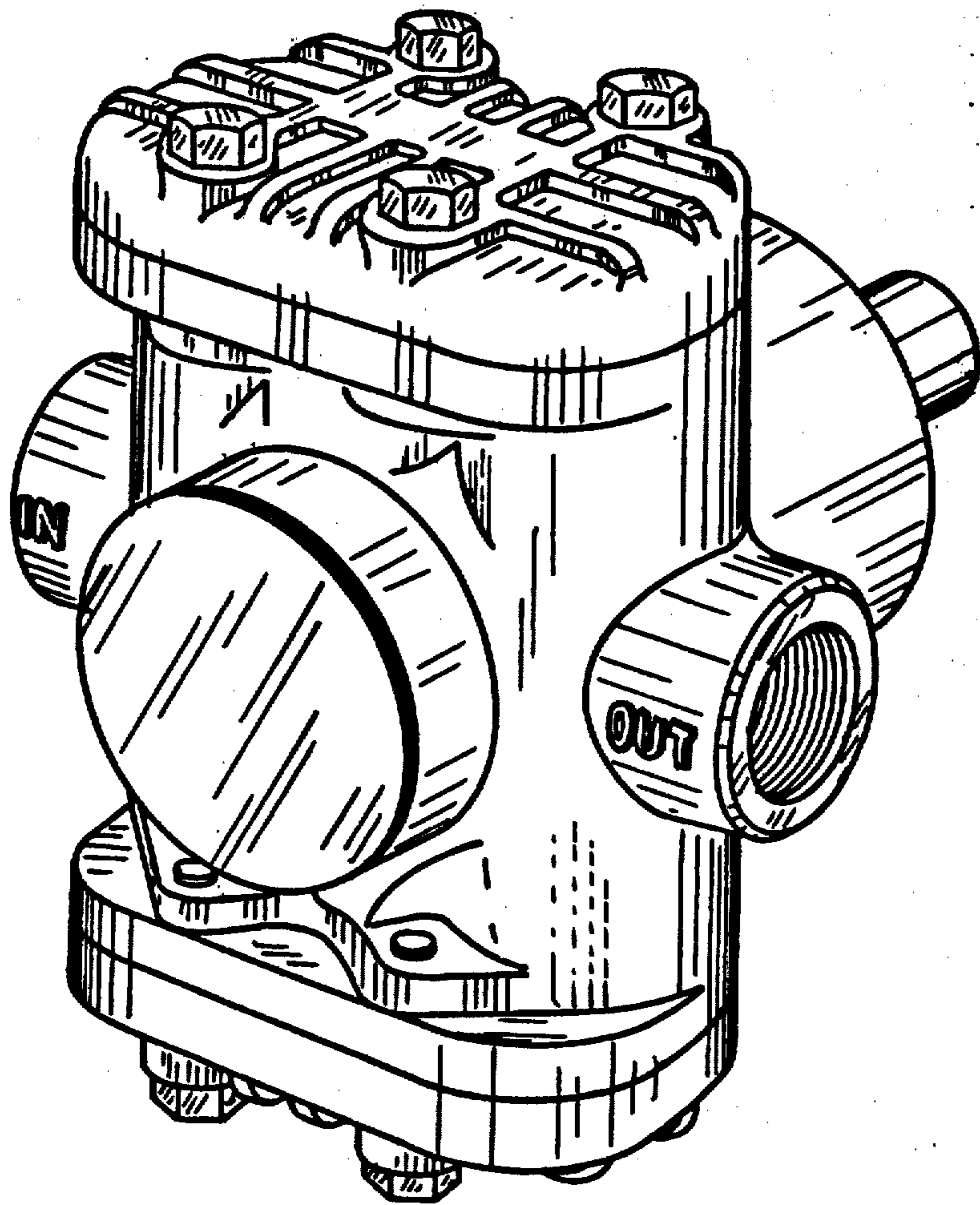


FIG. 1

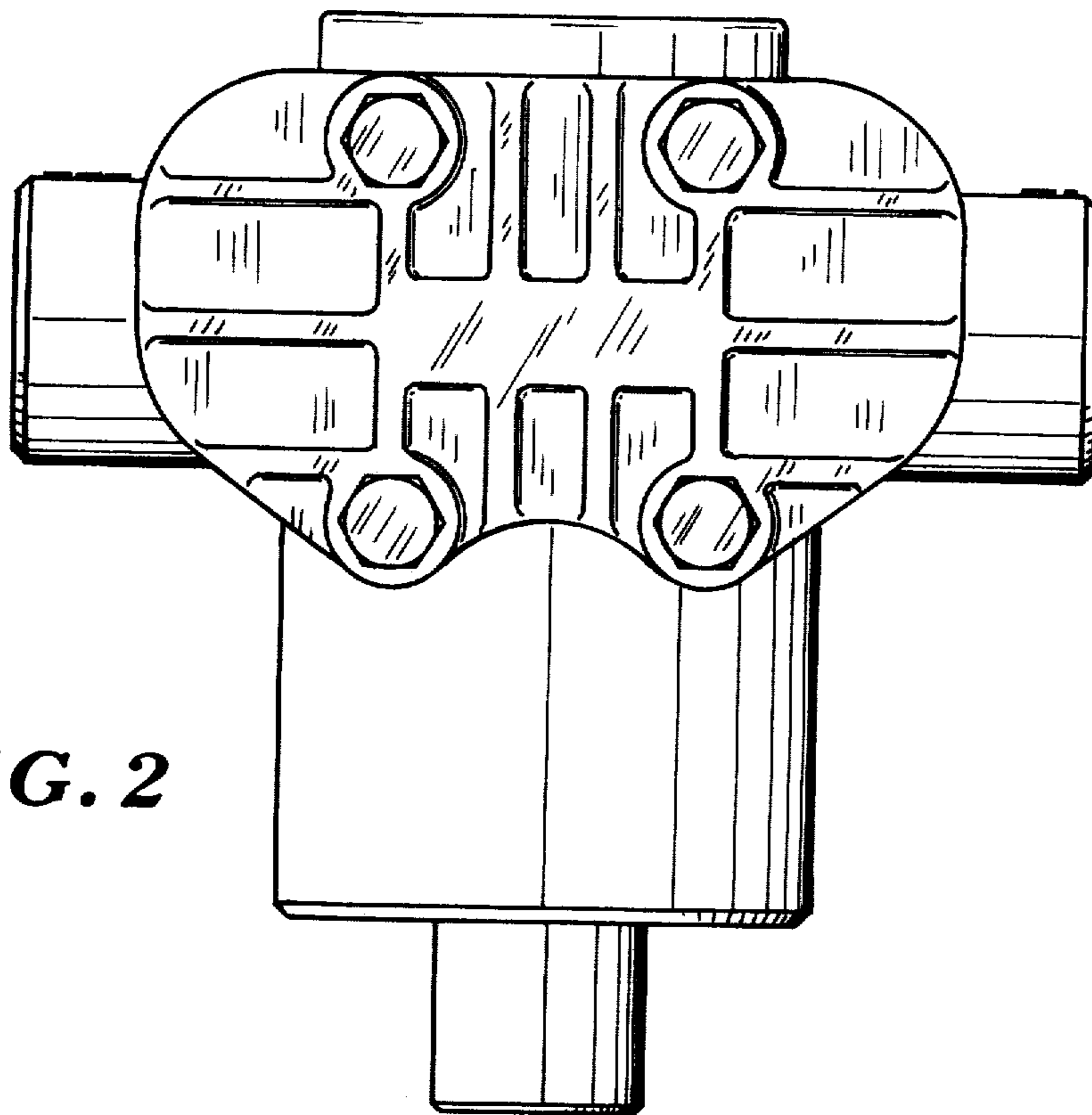


FIG. 2

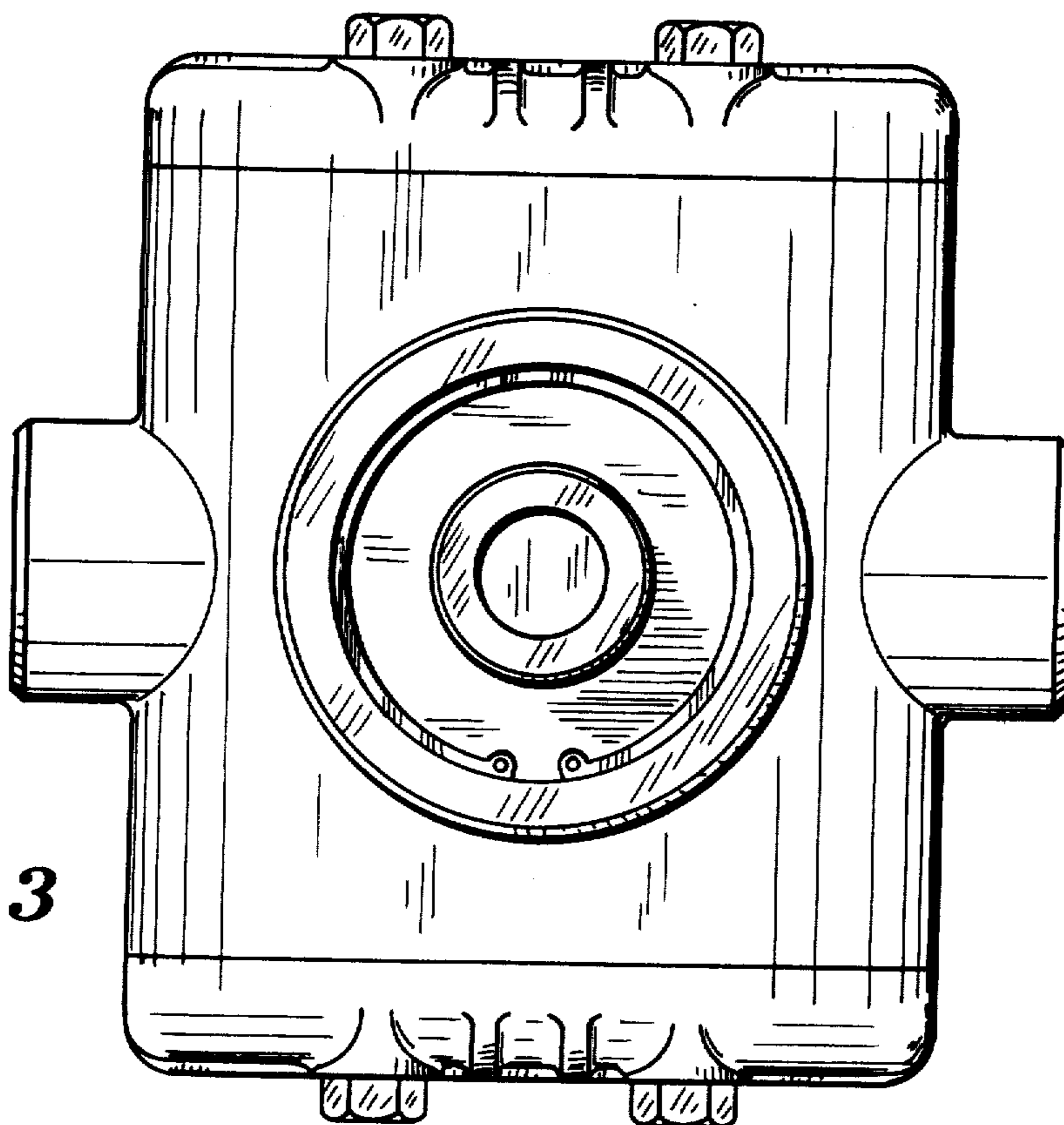


FIG. 3

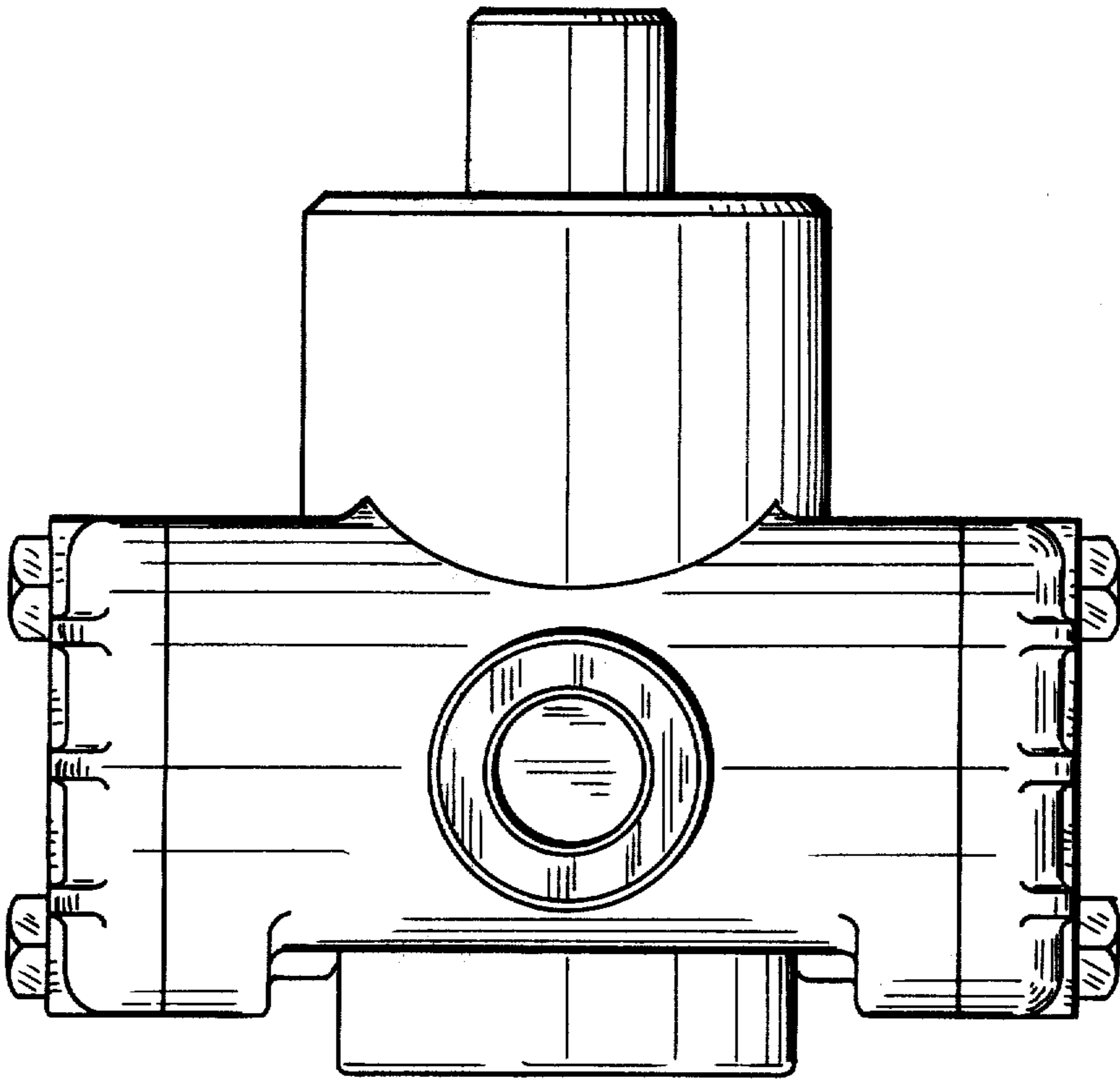


FIG. 5

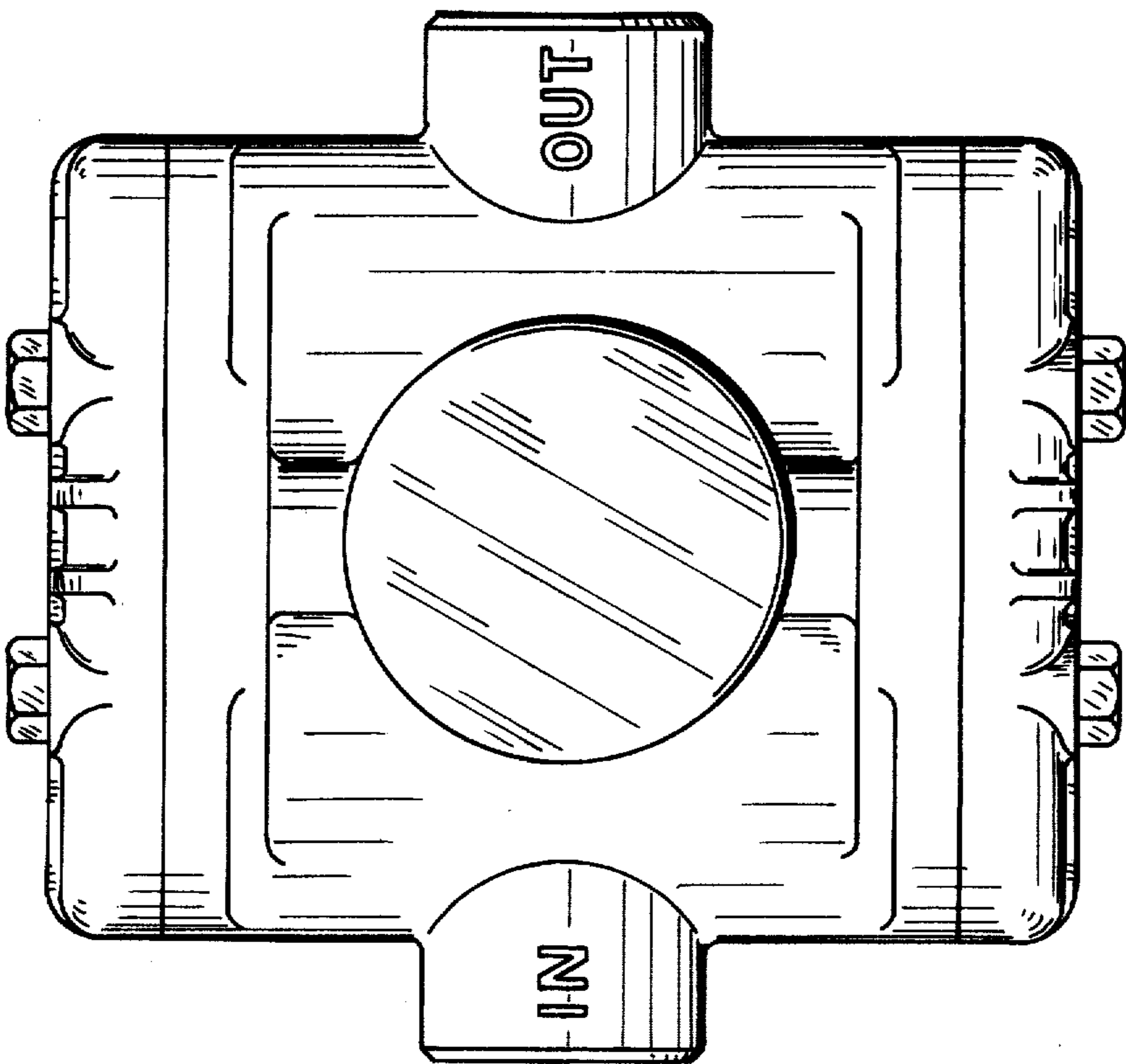


FIG. 4