

[54] SUPPLY TANK FOR USE WITH A CARPET CLEANING MACHINE

[58] Field of Search ..... D15/52, 53, 54, 55, D15/61, 62; 15/320, 323, 325, 326, 327 R, 327 D, 327 E, 339, 353

[75] Inventor: Fred E. Pearman, Jr., Anderson, S.C.

[56] References Cited

[73] Assignee: The Singer Company, Stamford, Conn.

U.S. PATENT DOCUMENTS

D. 243,574 3/1977 Bartlett ..... D15/54

[\*\*] Term: 14 Years

Primary Examiner—Catherine E. Kemper  
Attorney, Agent, or Firm—Elliot A. Lackenbach; Robert E. Smith; Edward L. Bell

[21] Appl. No.: 101,958

[57] CLAIM

[22] Filed: Dec. 10, 1979

The ornamental design for a supply tank for use with a carpet cleaning machine, substantially as shown.

Related U.S. Application Data

DESCRIPTION

[62] Division of Ser. No. 870,954, Jan. 19, 1978, Pat. No. Des. 258,064.

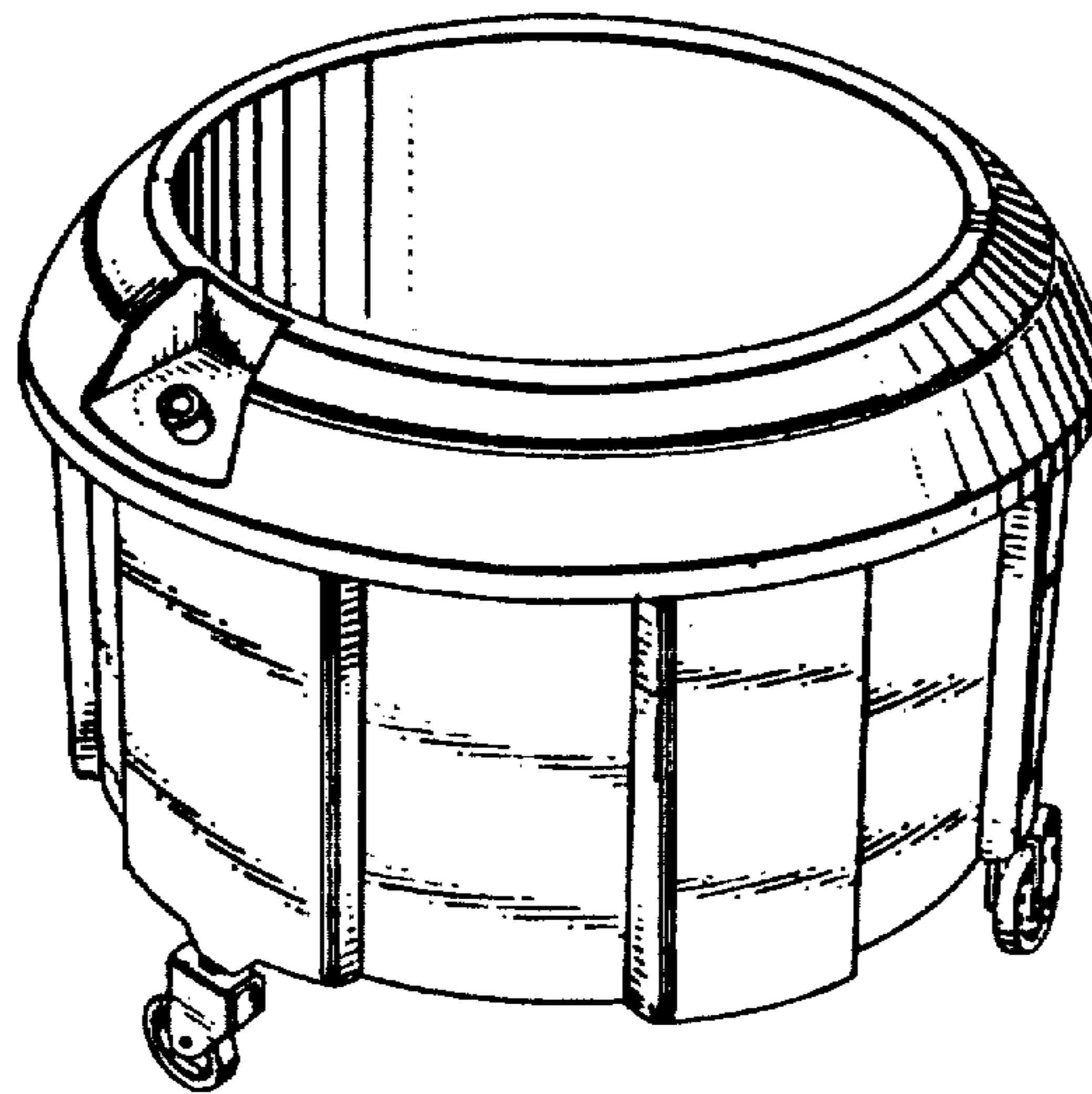
FIG. 1 is a front perspective view of a supply tank for use with a carpet cleaning machine embodying my new design;

[51] Int. Cl. .... D15-05

FIG. 2 is a rear perspective view thereof; and

[52] U.S. Cl. .... D32/23

FIG. 3 is a top plan view thereof.



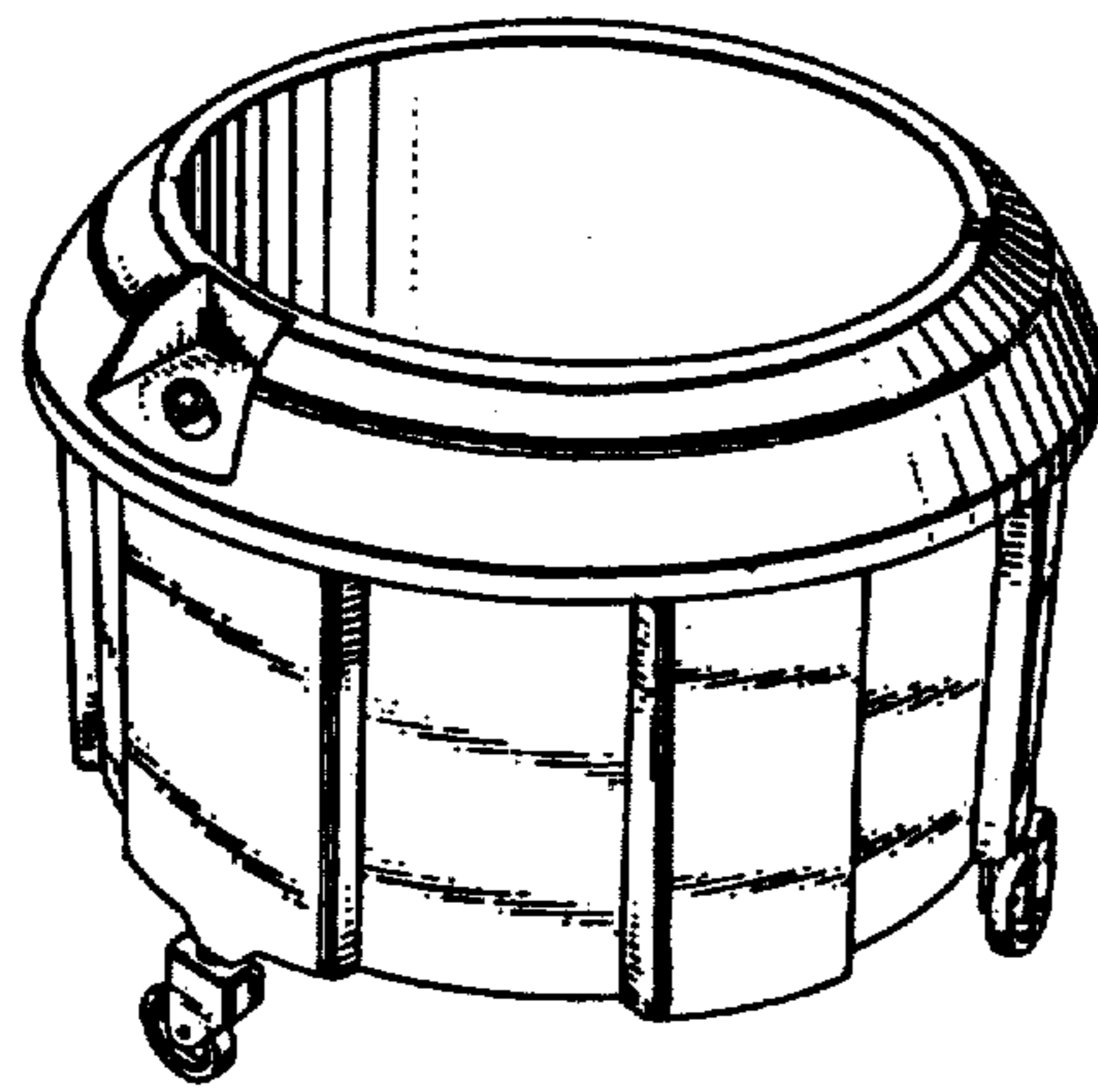


Fig. 1

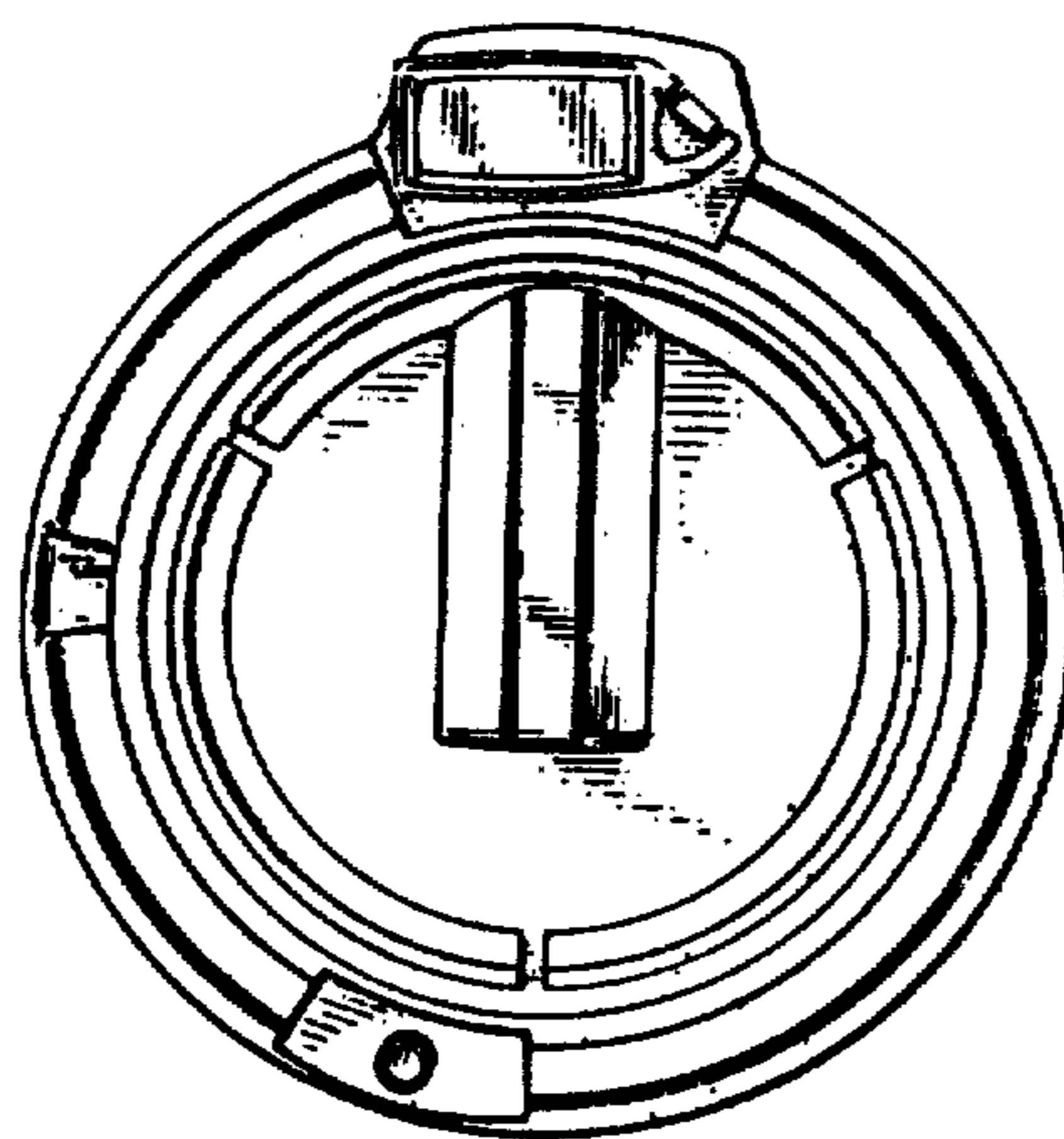


Fig. 3

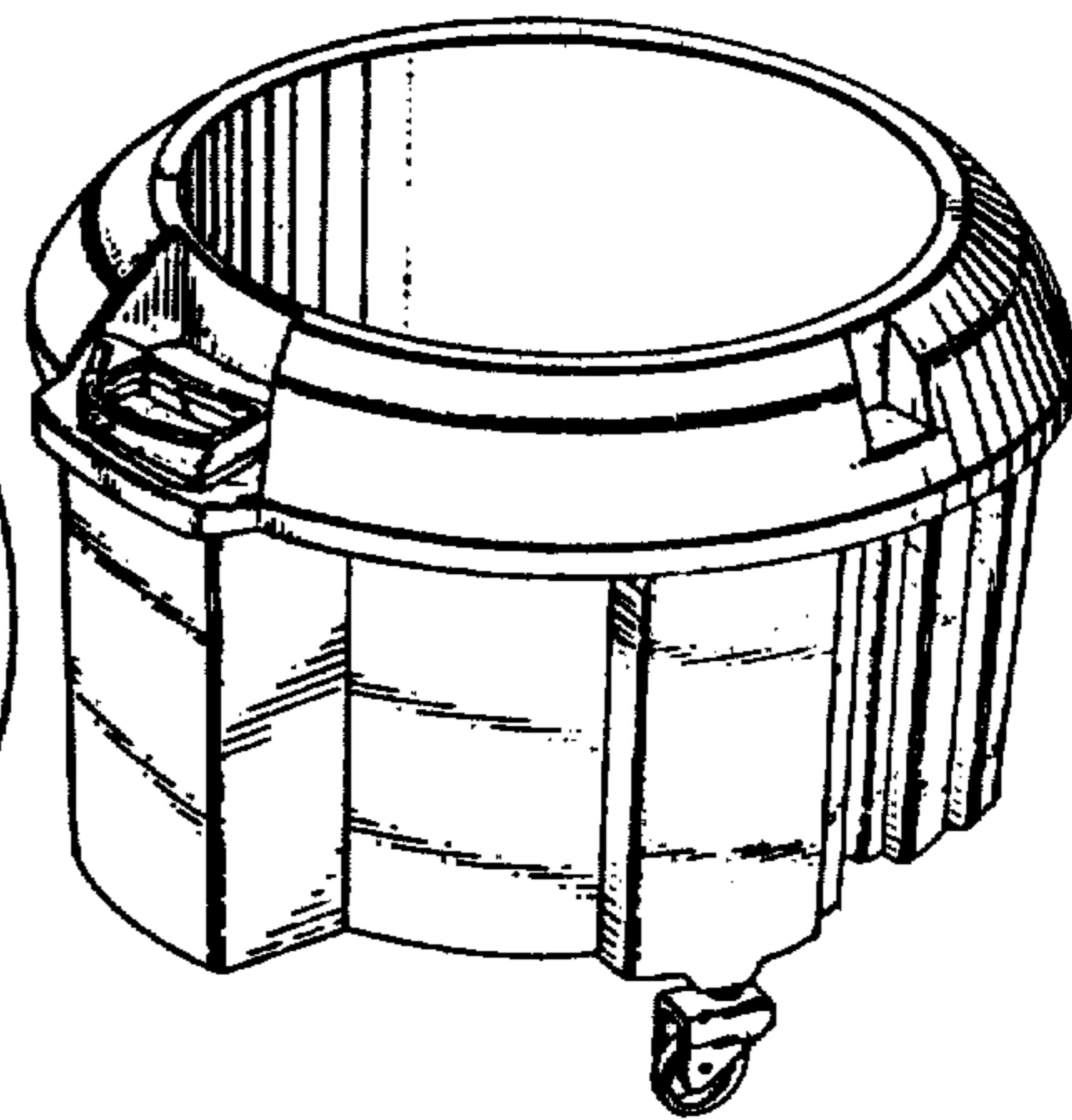


Fig. 2