

[54] FOOD SLICER IN THE OPERATIONAL POSITION

[76] Inventor: **Joseph A. Rinaldi**, 651 Lake Ave., Oradell, N.J. 07649

[**] Term: **14 Years**

[21] Appl. No.: **99,326**

[22] Filed: **Dec. 3, 1979**

[51] Int. Cl. **D15-08**

[52] U.S. Cl. **D15/97**

[58] Field of Search **D15/97; 83/703, 713, 83/718**

[56] **References Cited**

U.S. PATENT DOCUMENTS

D. 113,839	3/1939	Hand	D15/97
D. 239,462	4/1976	Gourley	D15/97
1,972,250	9/1934	Stracman et al.	D15/97
2,573,860	11/1951	Meeker et al.	83/713

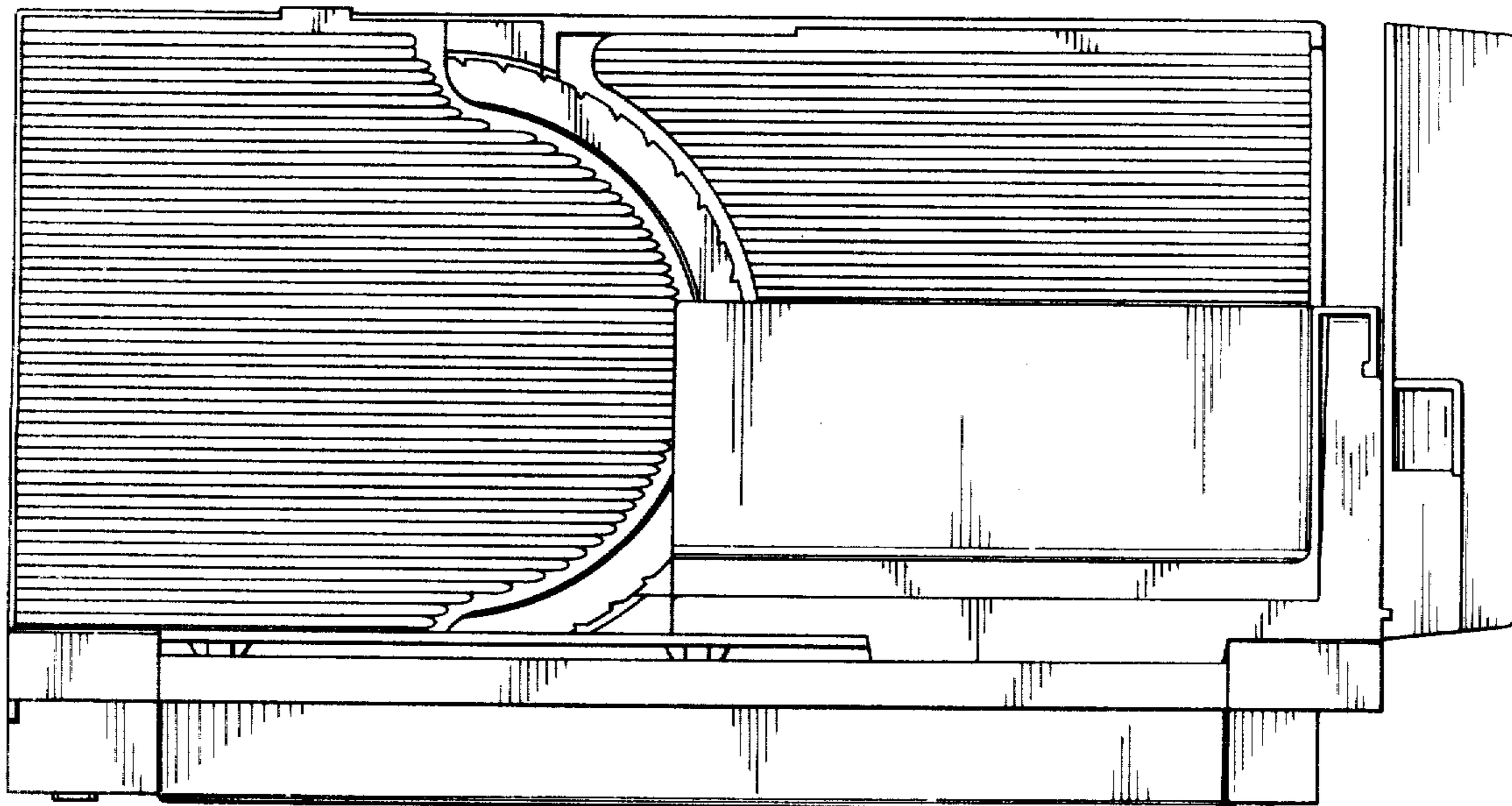
Primary Examiner—Peter M. Caun

[57] **CLAIM**

The ornamental design for a food slicer in the operational position, as shown and described.

DESCRIPTION

FIG. 1 is a left side elevational view of the food slicer in the operative position showing my new design; FIG. 2 is a top plan view thereof; FIG. 3 is a right side elevational view thereof; FIG. 4 is a bottom plan view thereof; FIG. 5 is a front end elevational view thereof; and FIG. 6 is a rear end elevational view thereof.



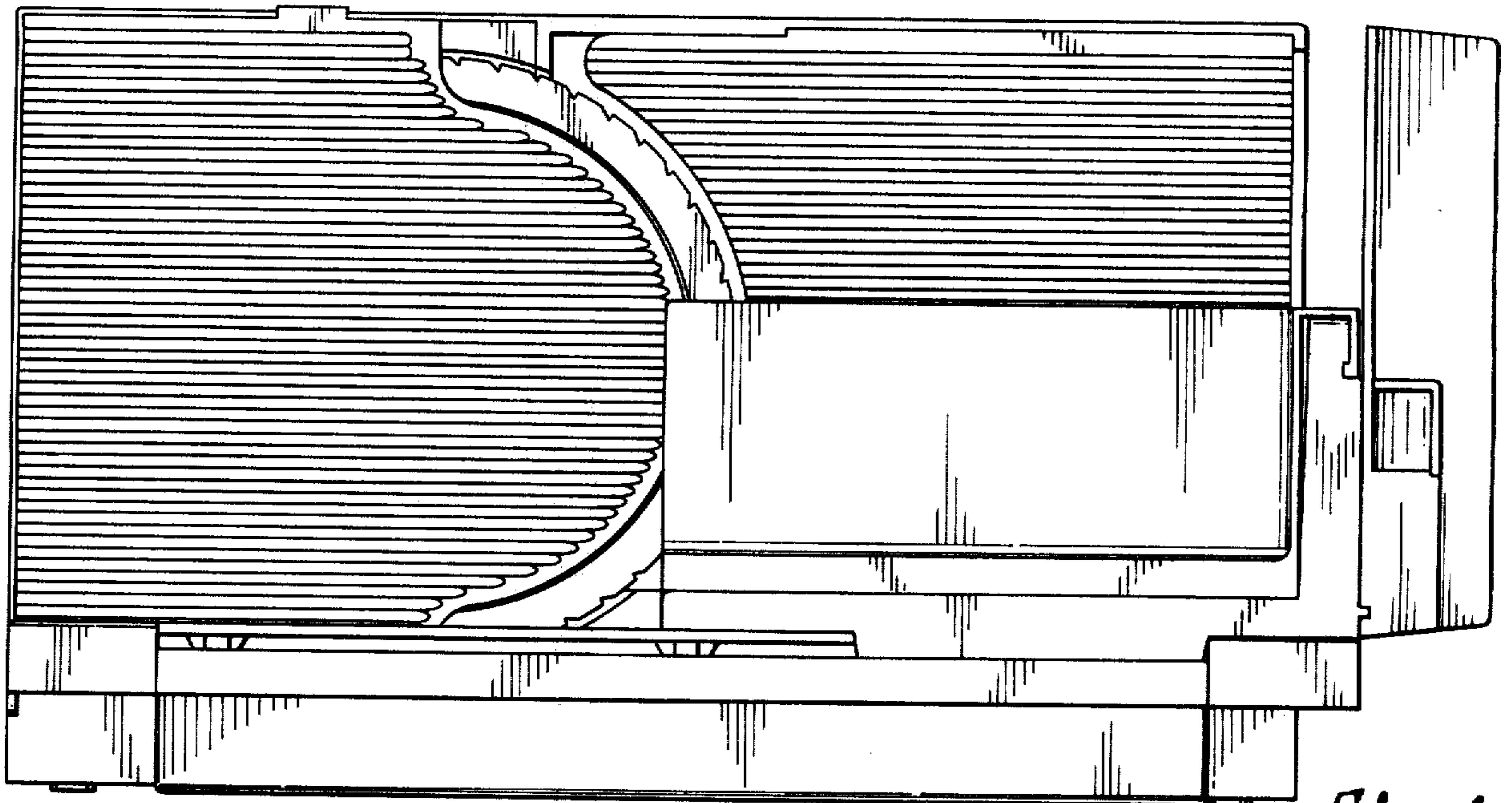


Fig. 1.

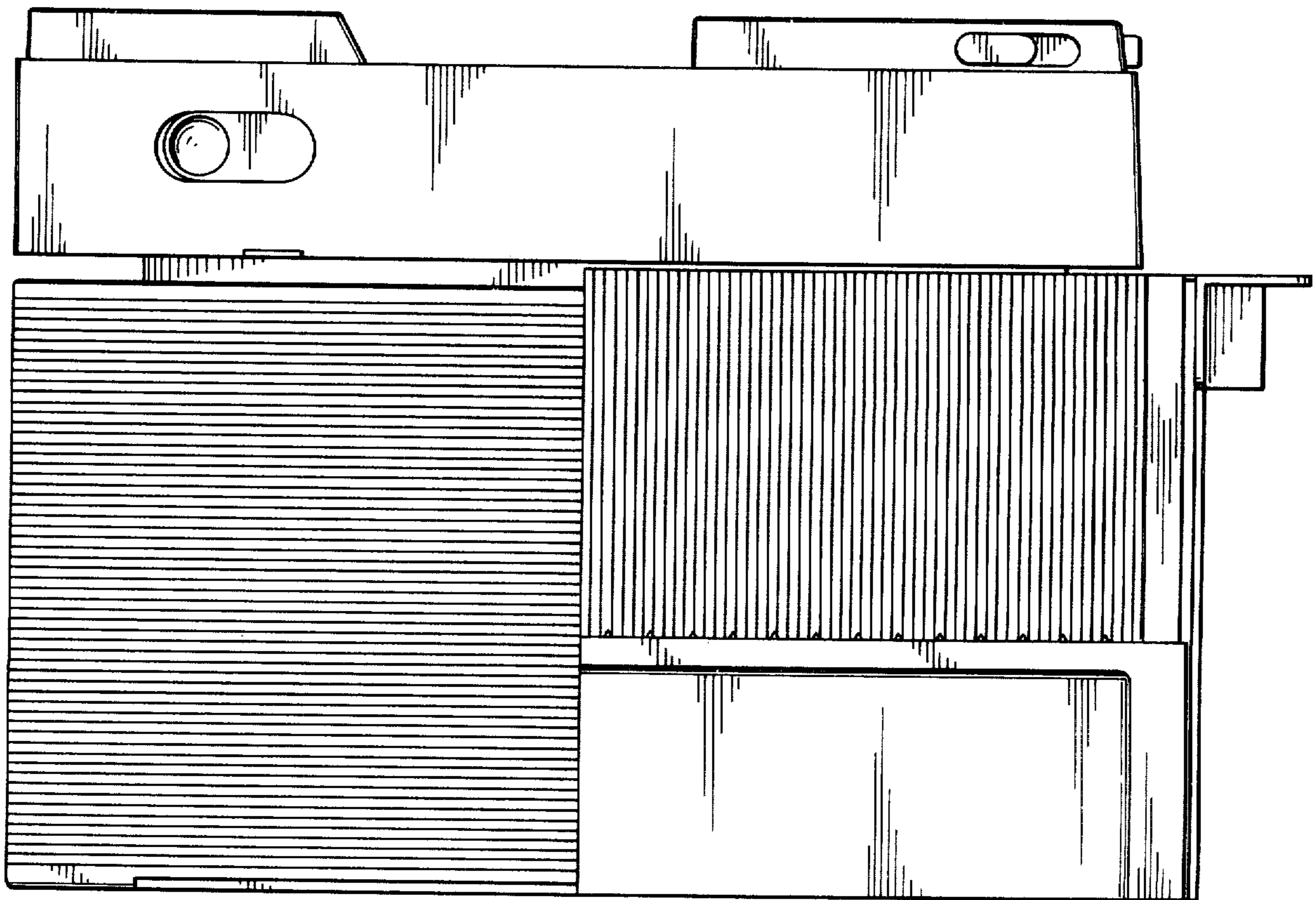


Fig. 2.

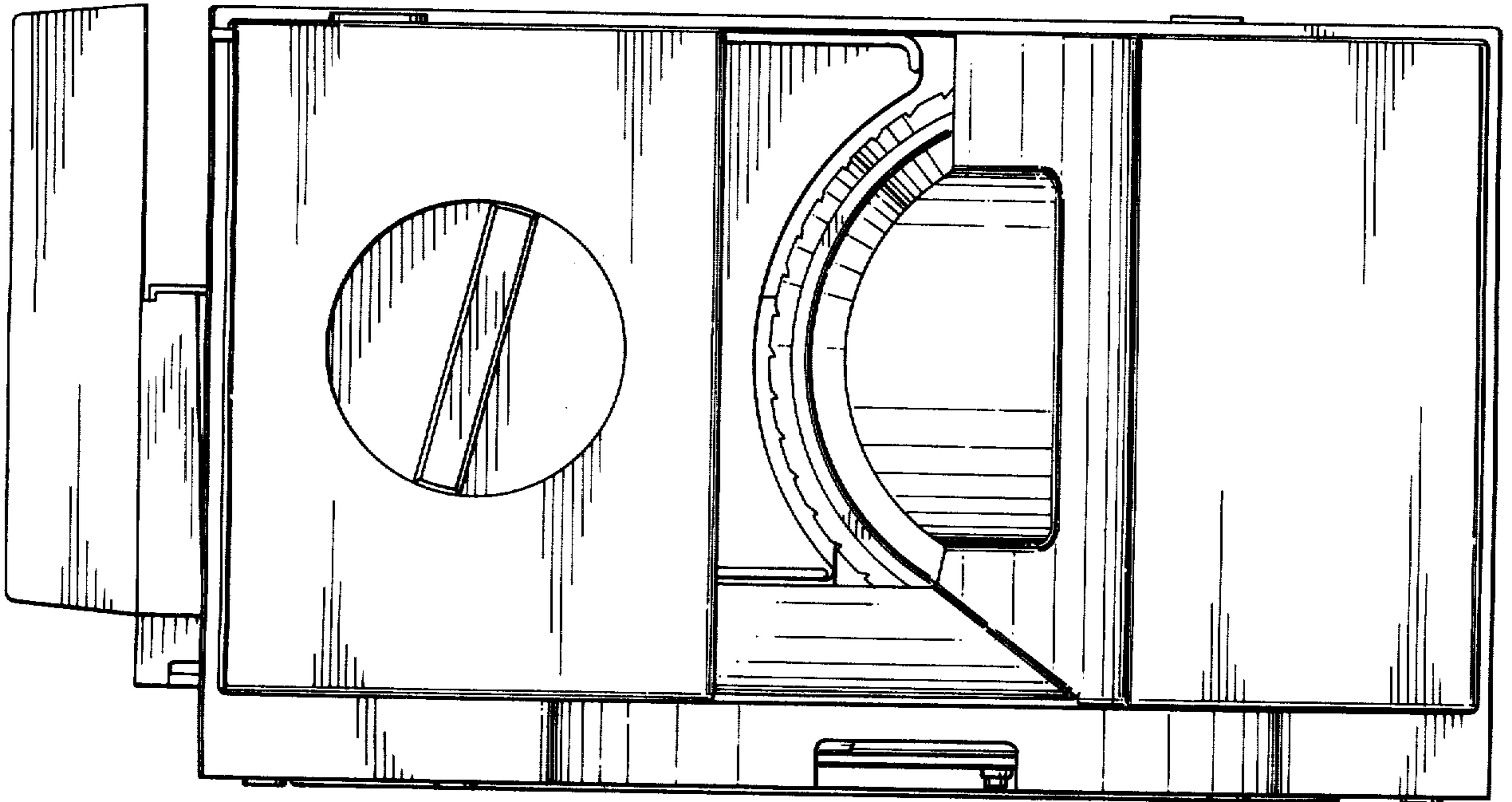


Fig. 3.

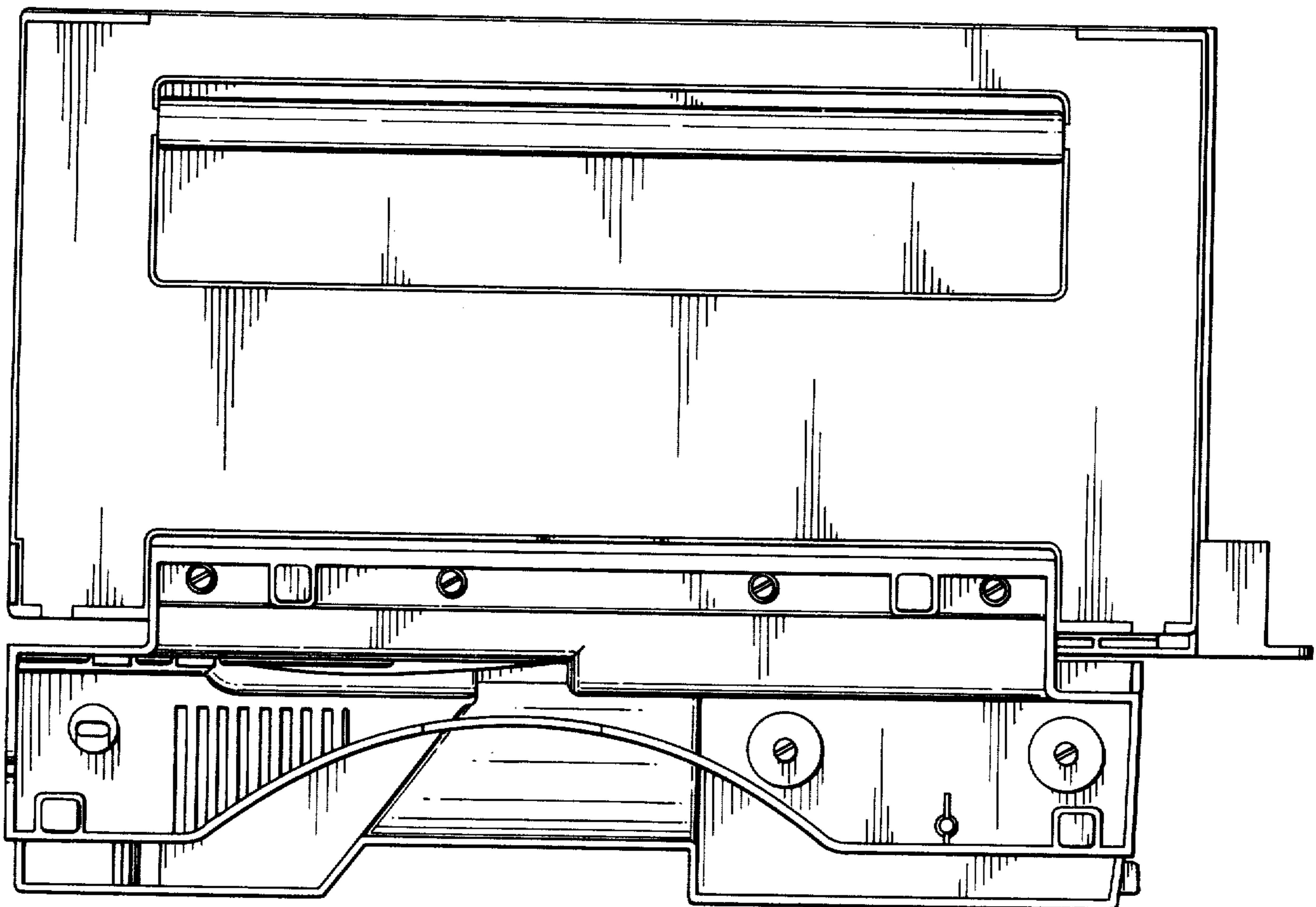


Fig. 4.

Fig. 5.

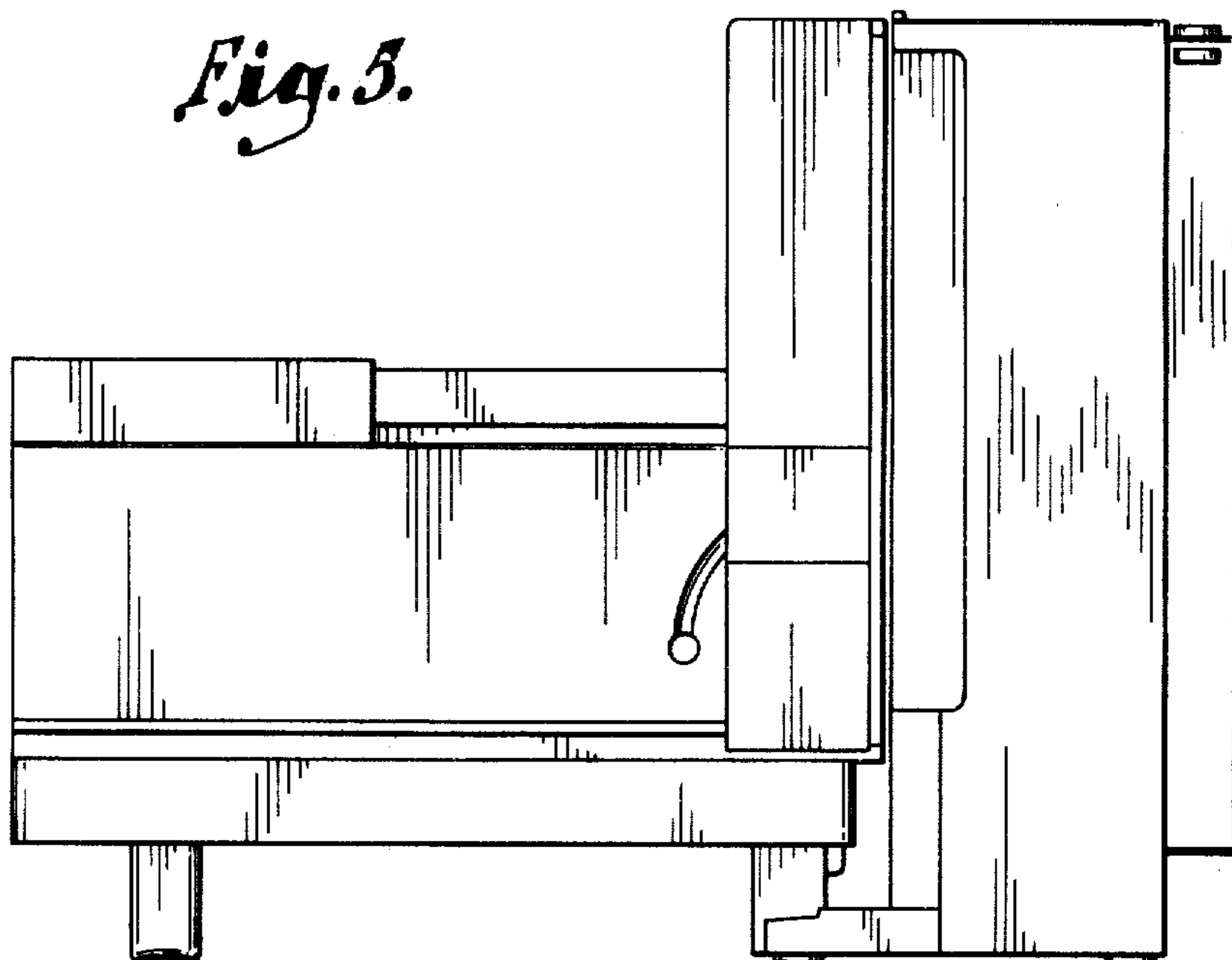


Fig. 6.

