

[54] PUMP

[76] Inventor: **Sigurd M. Somme**, N Hjellevstad, 5066 Hjellevstad, Norway

[**] Term: **14 Years**

[21] Appl. No.: **95,314**

[22] Filed: **Nov. 19, 1979**

[30] Foreign Application Priority Data

Oct. 22, 1979 [NO] Norway 60548

[51] Int. Cl. **D15-02**

[52] U.S. Cl. **D15/7**

[58] Field of Search **D15/7-9;**
415/206, 207; 417/423

2,430,337 11/1947 Heckert et al. 417/234 X

3,130,679 4/1964 Senco 415/206 X

3,659,950 5/1972 Schonwald 415/206

3,676,014 7/1972 Bevan et al. 417/423 X

3,743,437 7/1973 Warner 415/206

3,759,628 9/1973 Kempf 415/206

3,891,345 6/1975 Doolin 417/423 X

Primary Examiner—James R. Largent
Attorney, Agent, or Firm—Hubbell, Cohen, Stiefel & Gross

[56] **References Cited**
U.S. PATENT DOCUMENTS

D. 110,935 8/1938 Voorhees et al. D15/7

D. 202,145 8/1965 Schroeder et al. D15/7

D. 223,686 5/1972 Sadler et al. D15/7

D. 229,236 11/1973 Dootin D15/7

[57] **CLAIM**

The ornamental design for a pump, substantially as shown.

DESCRIPTION

FIG. 1 is a top plan view of a pump embodying my design.

FIG. 2 is a front elevational view thereof;

FIG. 3 is a right side elevational view thereof;

FIG. 4 is a left side elevational view thereof;

FIG. 5 is a rear elevational view thereof; and

FIG. 6 is a bottom plan view thereof.

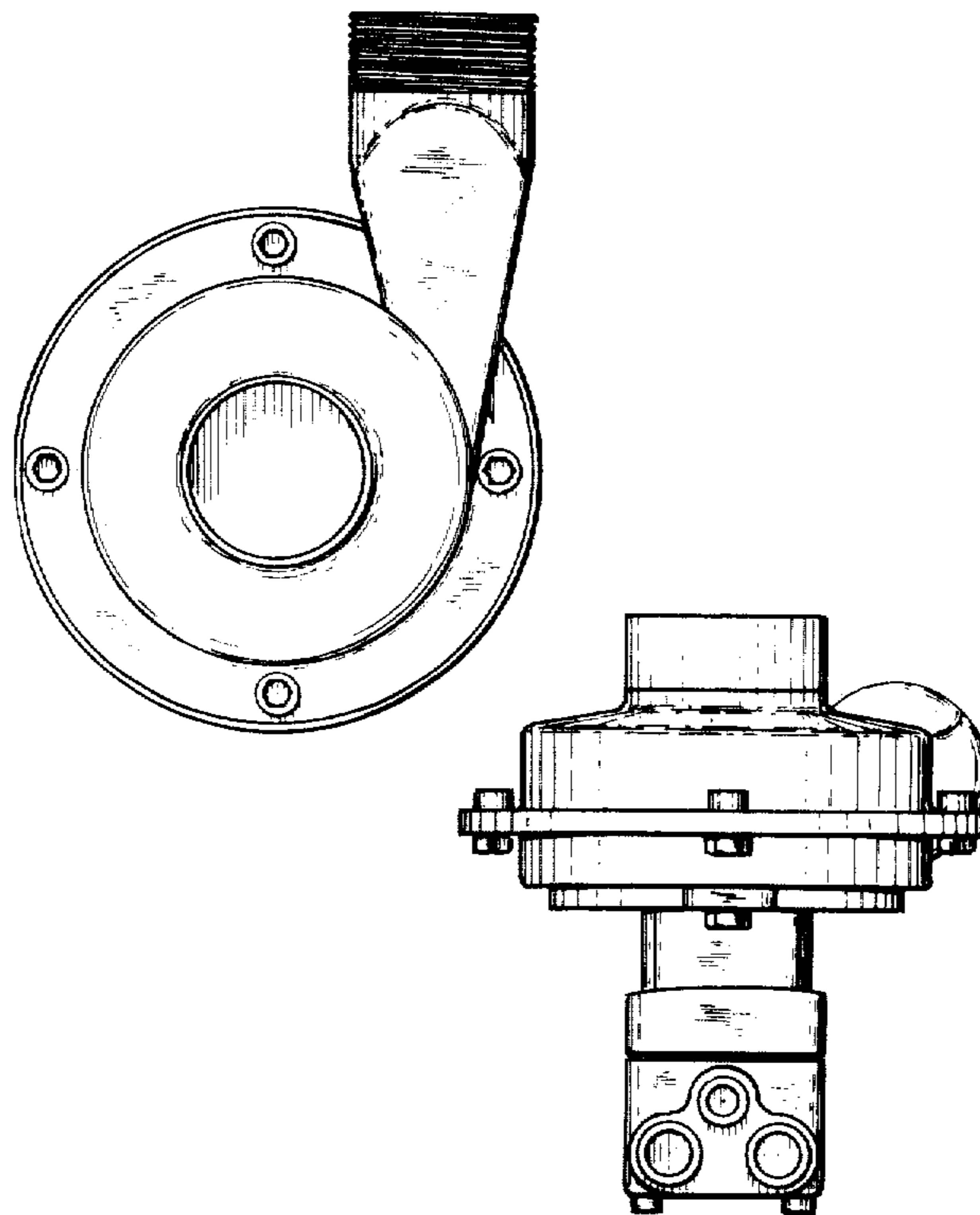


FIG. 1.

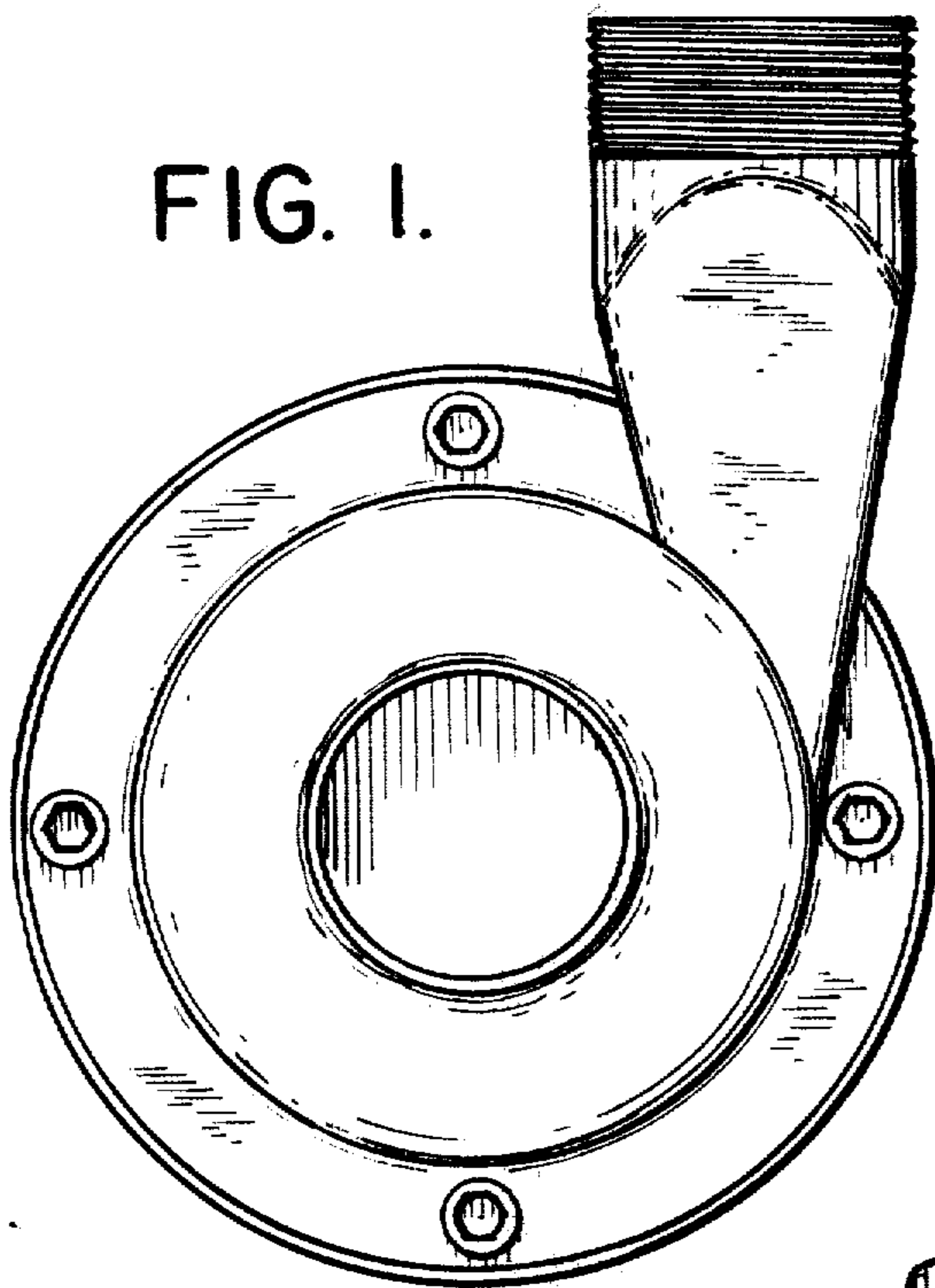


FIG. 2.

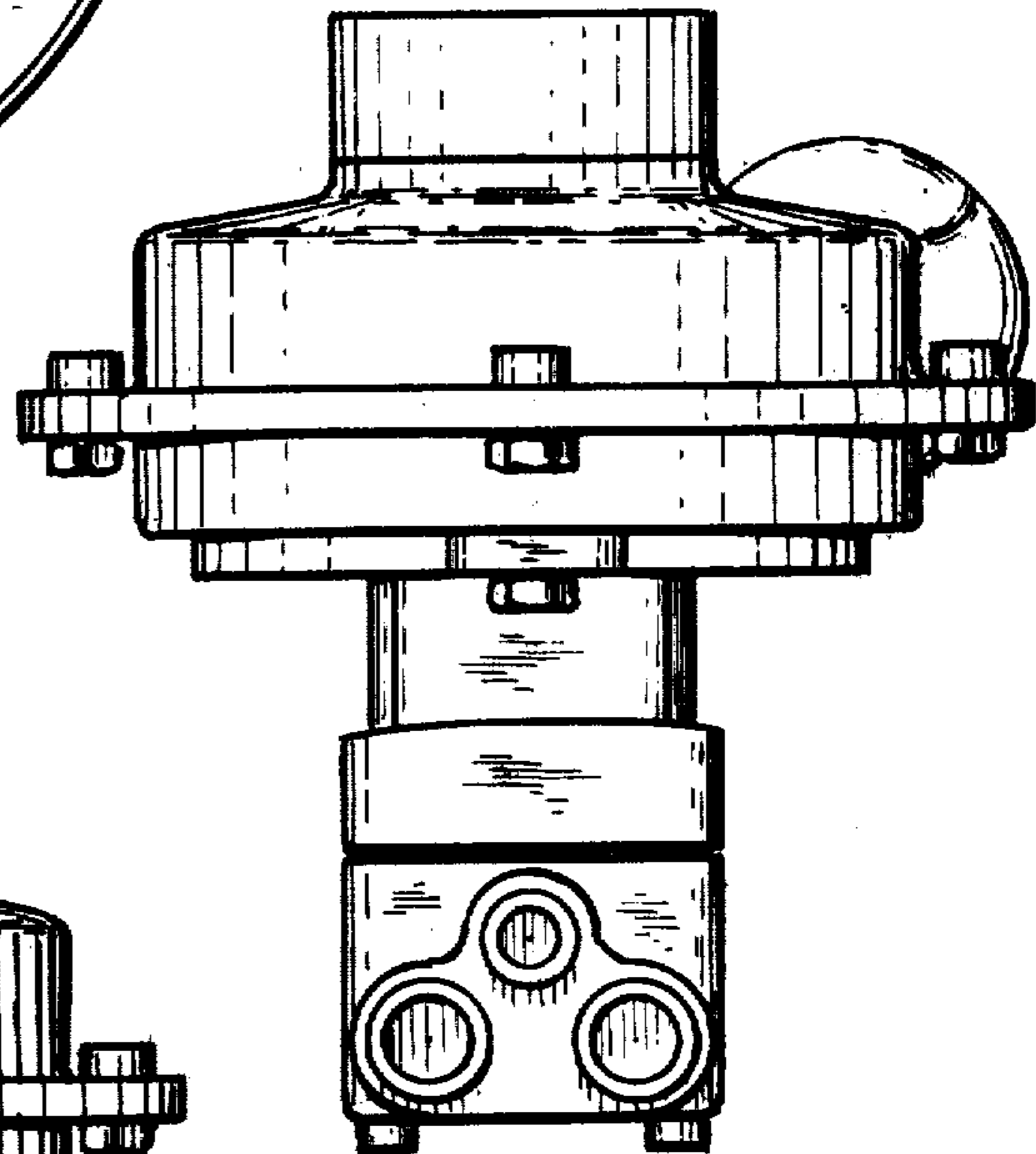
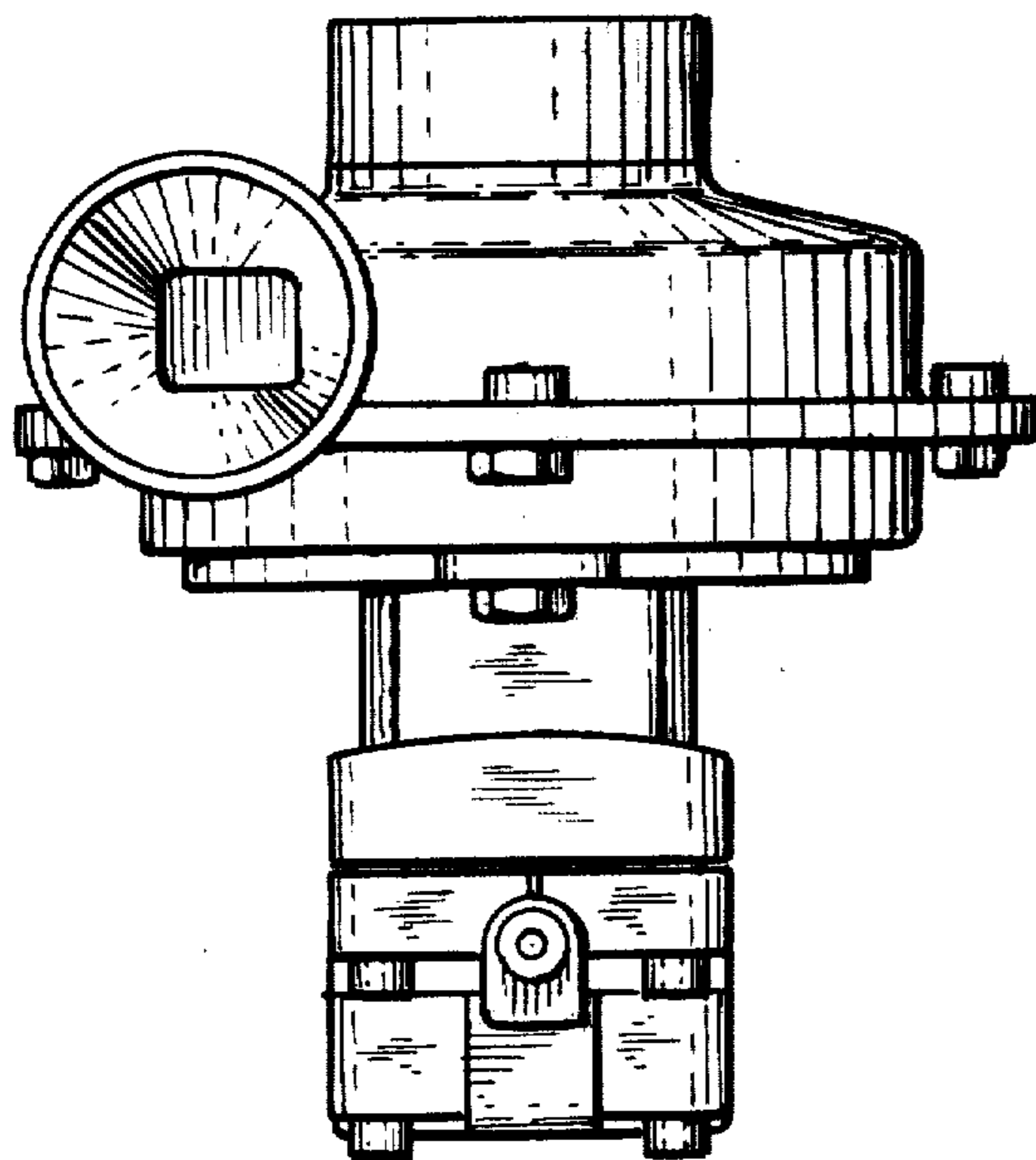


FIG. 5.



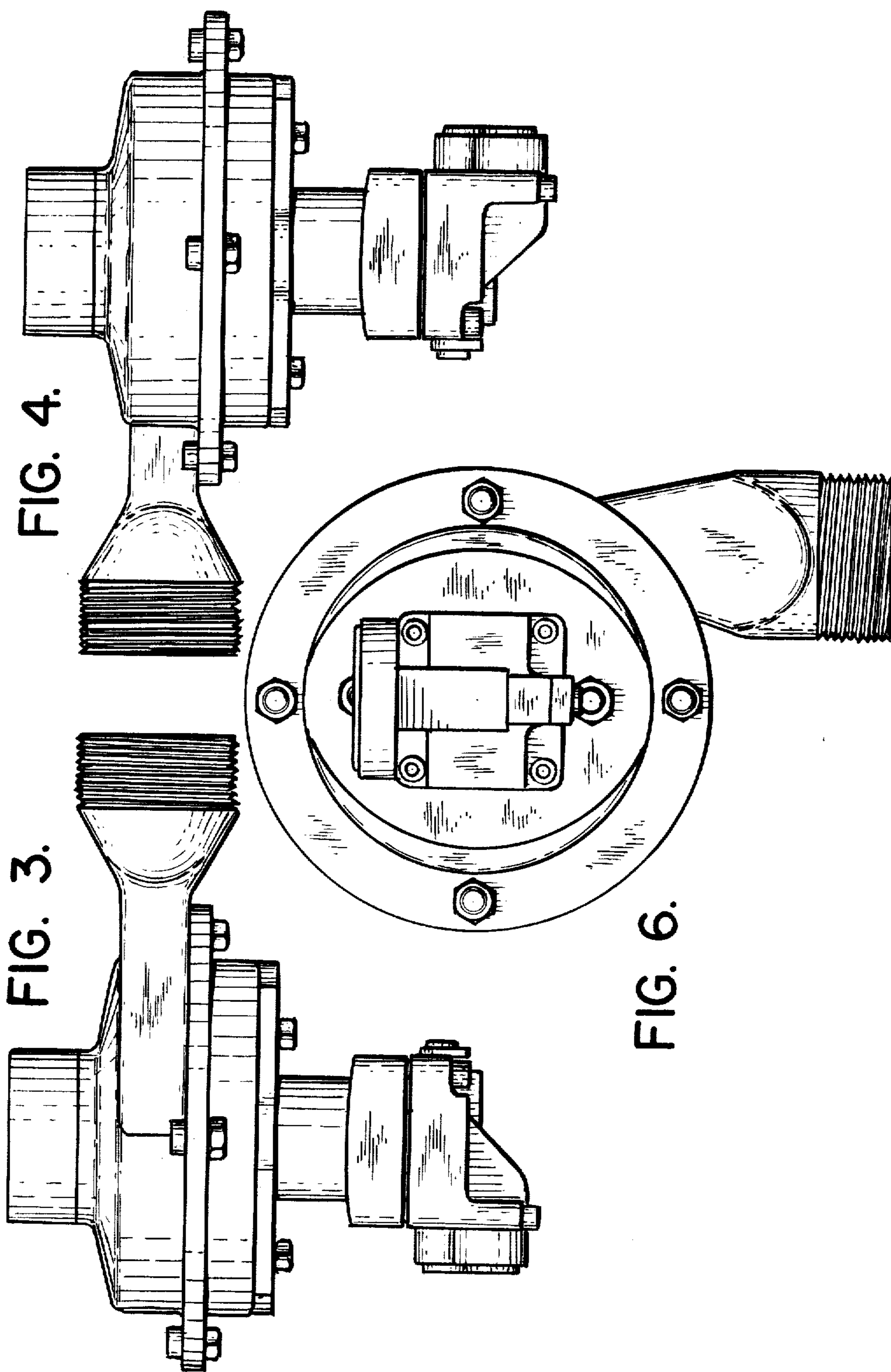


FIG. 3.

FIG. 4.

FIG. 6.