

[54] FACSIMILE TRANSCIVER OR SIMILAR ARTICLE

[75] Inventors: Lawrence E. Barbera, San Francisco, Calif.; John L. Connin, Longwood, Fla.; Michael E. Lawing, Columbus; Dean W. Richardson, Worthington, both of Ohio

[73] Assignee: Exxon Research & Engineering Co., Florham Park, N.J.

[**] Term: 14 Years

[21] Appl. No.: 120,303

[22] Filed: Feb. 11, 1980

[51] Int. Cl. D14-03

[52] U.S. Cl. D14/94

[58] Field of Search D14/1, 3, 6, 45, 93, D14/94, 99; D16/30, 31; 358/256, 286

[56] References Cited

U.S. PATENT DOCUMENTS

D. 217,252 4/1970 Tripp D14/45

D. 240,080 5/1976 Brown D16/30 X
D. 246,041 10/1977 Bellini D14/6
D. 254,185 2/1980 Doodson D14/3 X

OTHER PUBLICATIONS

3M Facsimile Equipment Cat. #78-1750-7056-0 (841), CP, ©1975, p. 4, Item #14-38.

Primary Examiner—Jane E. Corrigan
Attorney, Agent, or Firm—Norman L. Norris; Dale M. Heist

[57] CLAIM

The ornamental design for a facsimile transceiver or similar article, as shown and described.

DESCRIPTION

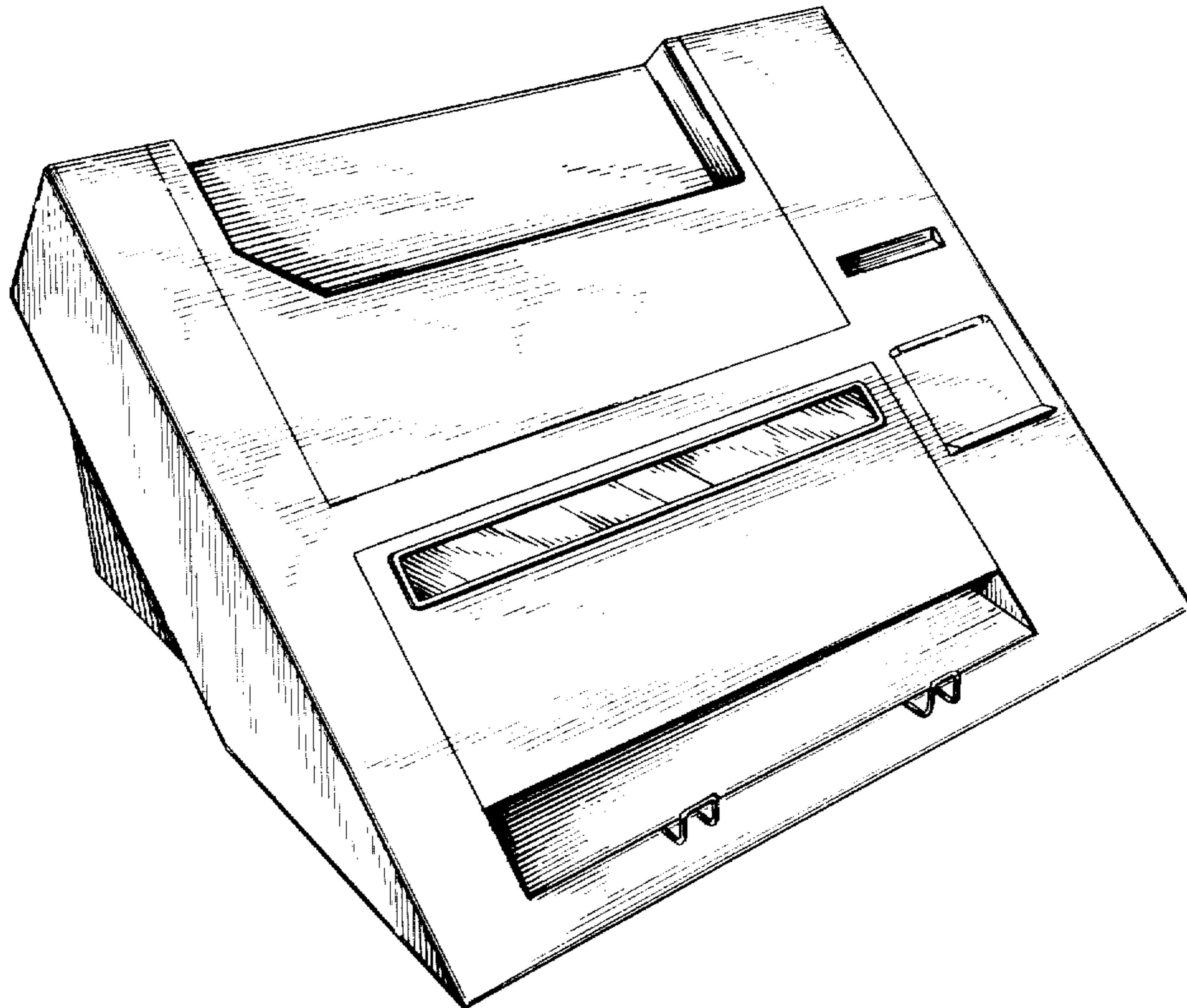
FIG. 1 is a front and left side perspective view of a facsimile transceiver or similar article showing our new design;

FIG. 2 is a front elevational view thereof;

FIG. 3 is a top plan view thereof;

FIG. 4 is a right side elevational view thereof, the left side being a mirror image thereof; and

FIG. 5 is a rear elevational view thereof.



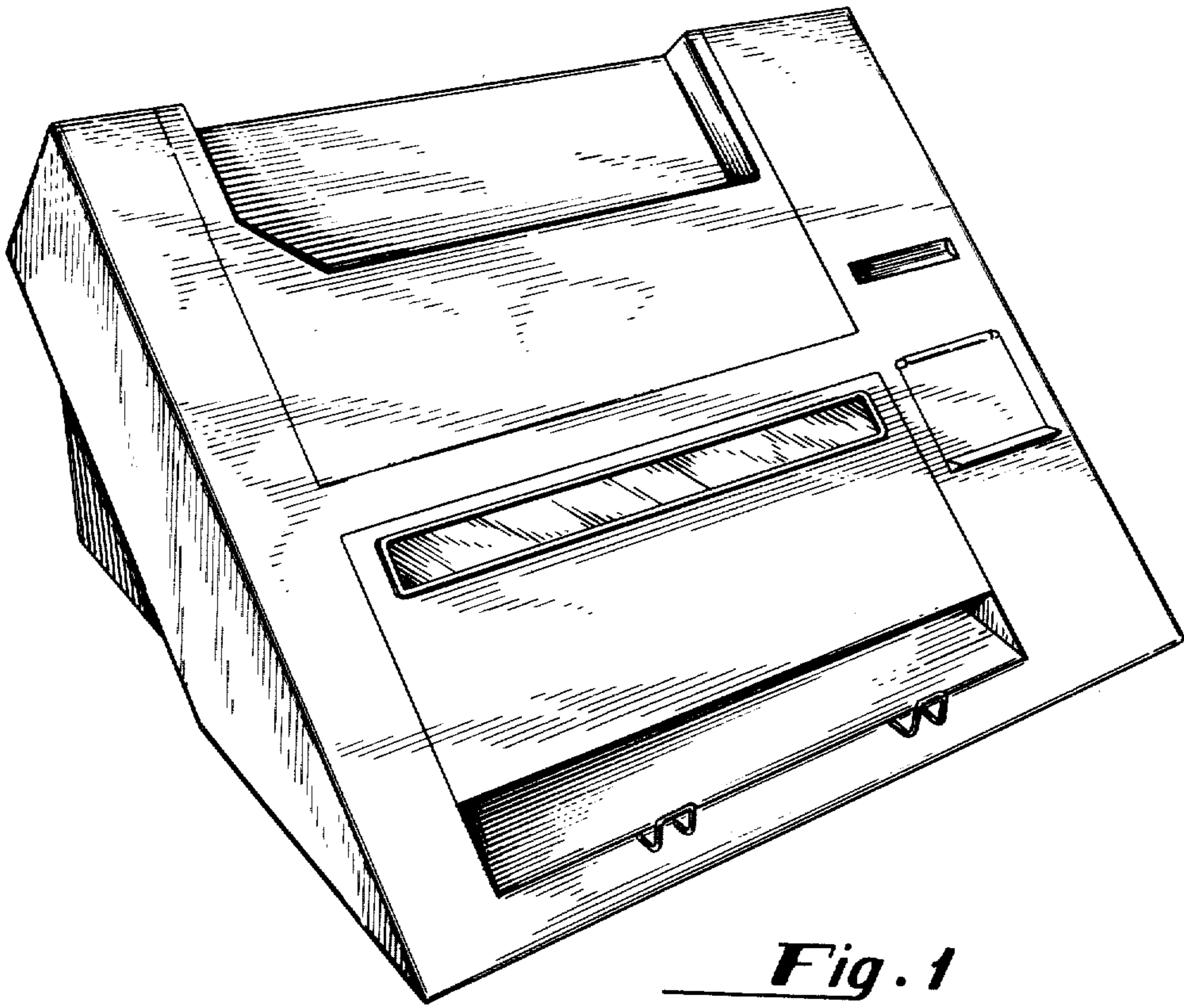


Fig. 1

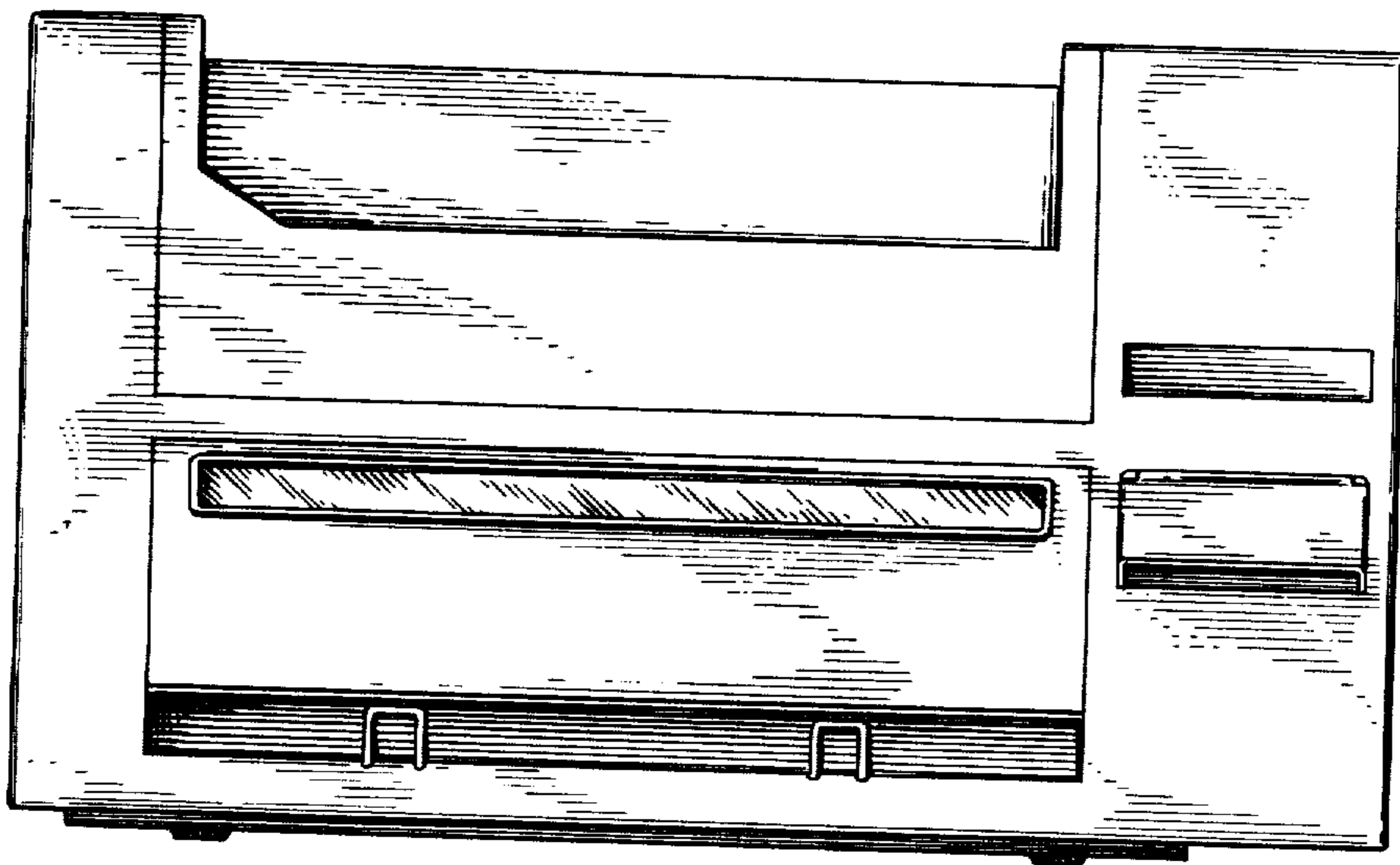


Fig. 2

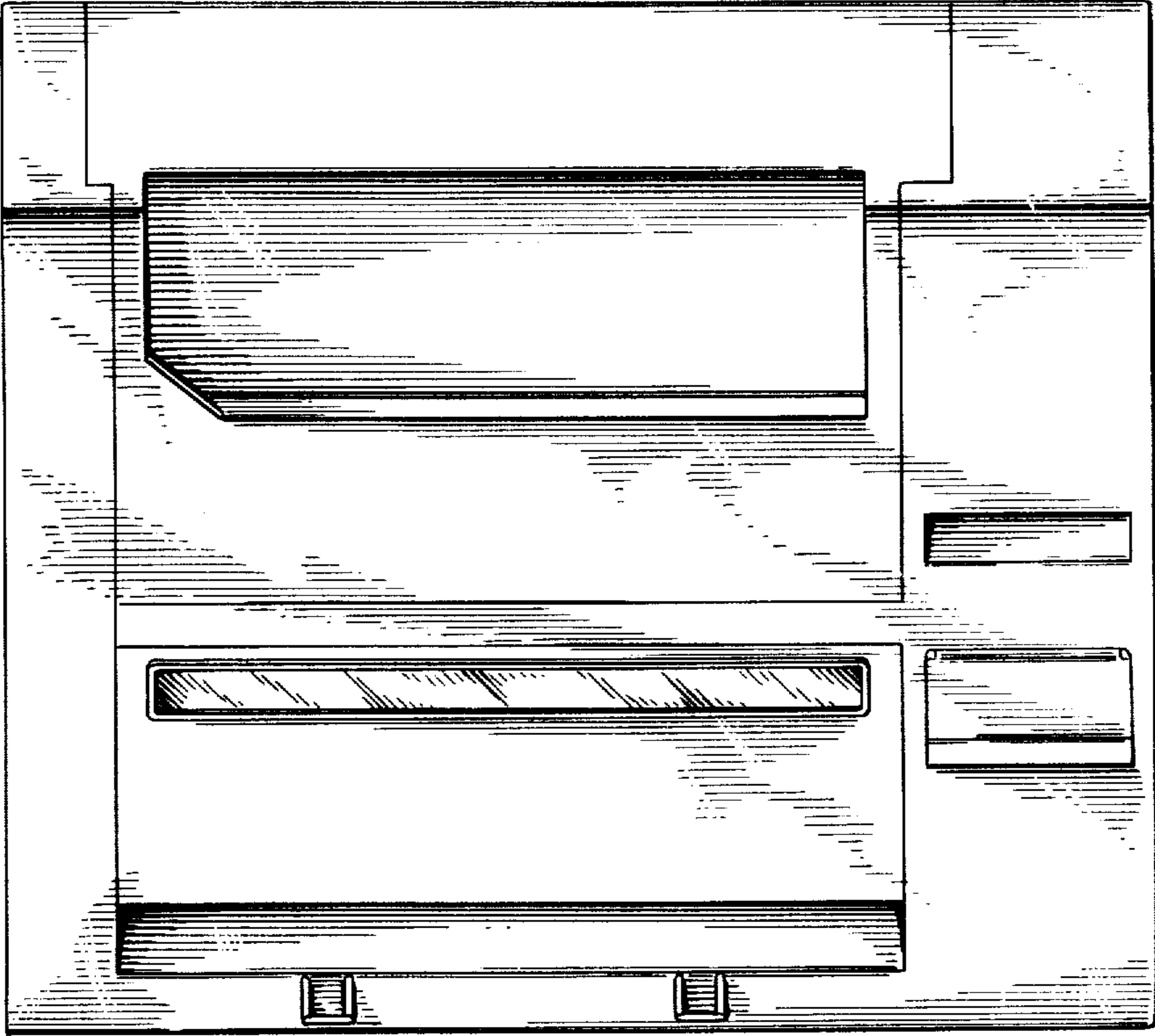


Fig. 3

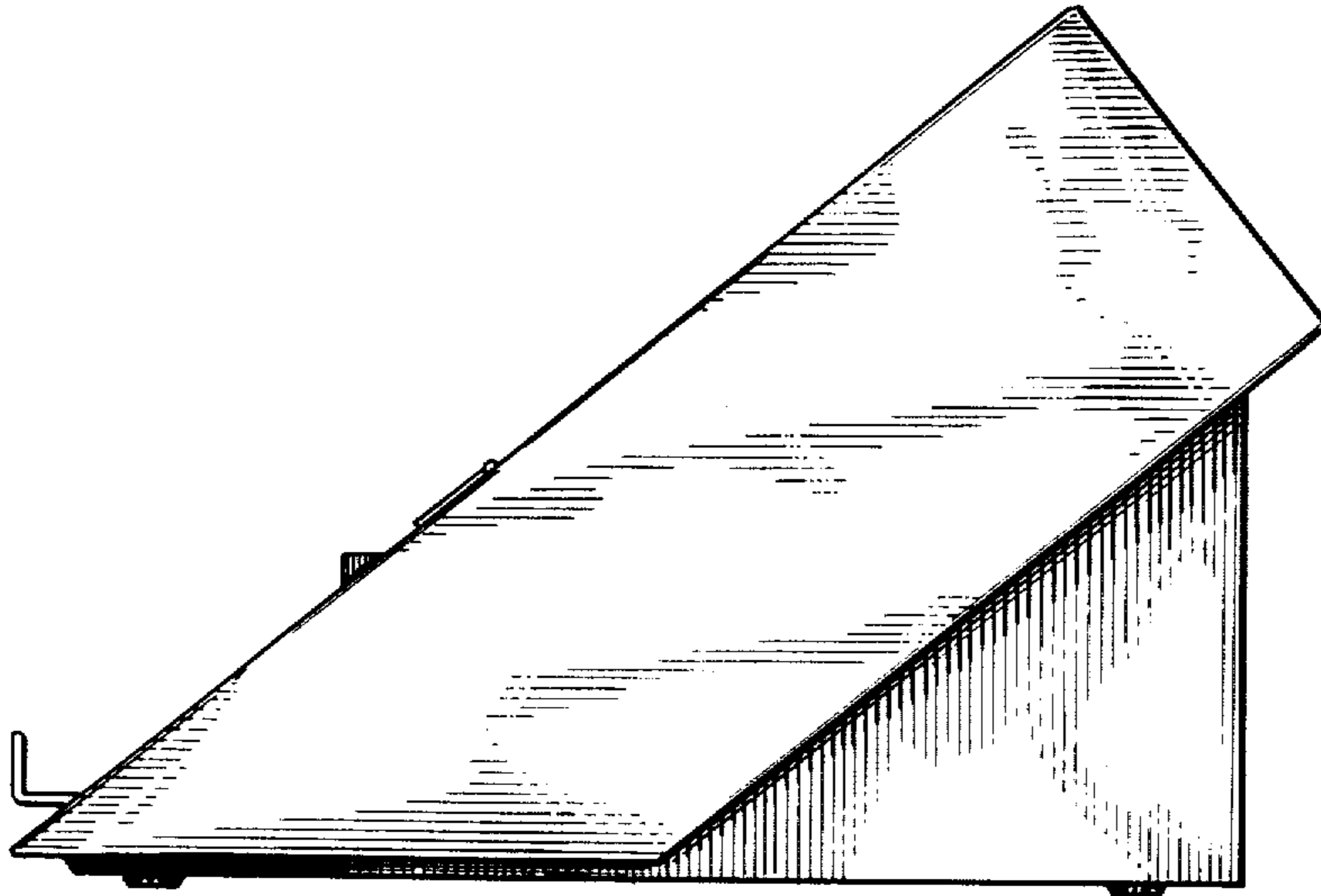


Fig. 4

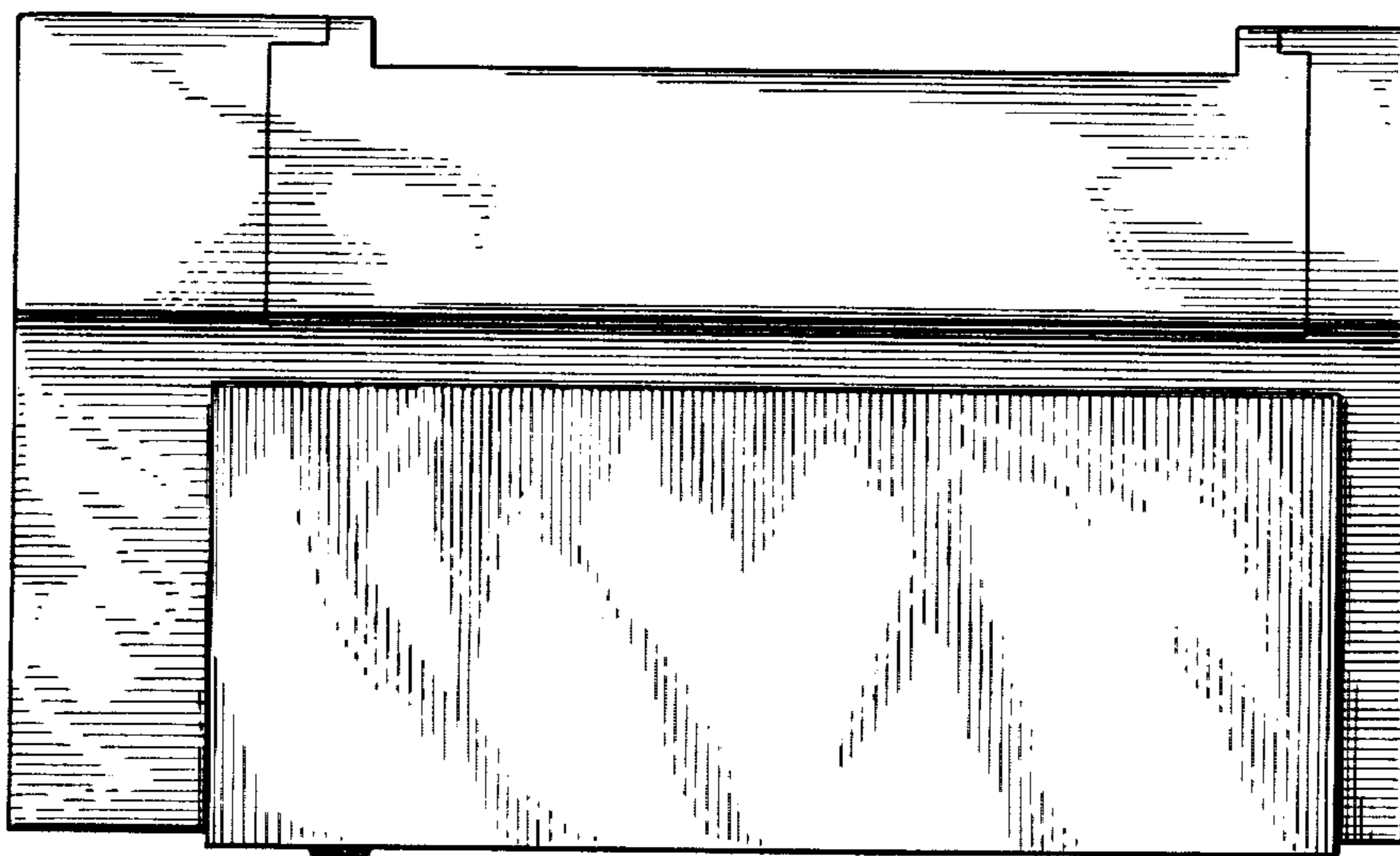


Fig. 5