

[54] PRINTOUT TERMINAL FOR COMPUTER

[76] Inventor: John H. Pemberton, 9 Park View, Needingworth, Cambridge PE17 3TJ, England

[\*\*] Term: 14 Years

[21] Appl. No.: 83,686

[22] Filed: Oct. 11, 1979

[30] Foreign Application Priority Data

Apr. 12, 1979 [GB] United Kingdom ..... 989,493

[51] Int. Cl. .... D14-02

[52] U.S. Cl. .... D14/111

[58] Field of Search ..... D14/40-50; D18/6, 7, 13, 22; 364/900

[56] References Cited

U.S. PATENT DOCUMENTS

D. 235,349 6/1975 Kurozumi ..... D18/7

FOREIGN PATENT DOCUMENTS

2607868 9/1976 Fed. Rep. of Germany ..... 364/708

OTHER PUBLICATIONS

Interface Age, 8/77, p. 133, Thermal Printer.

Primary Examiner—Susan J. Lucas

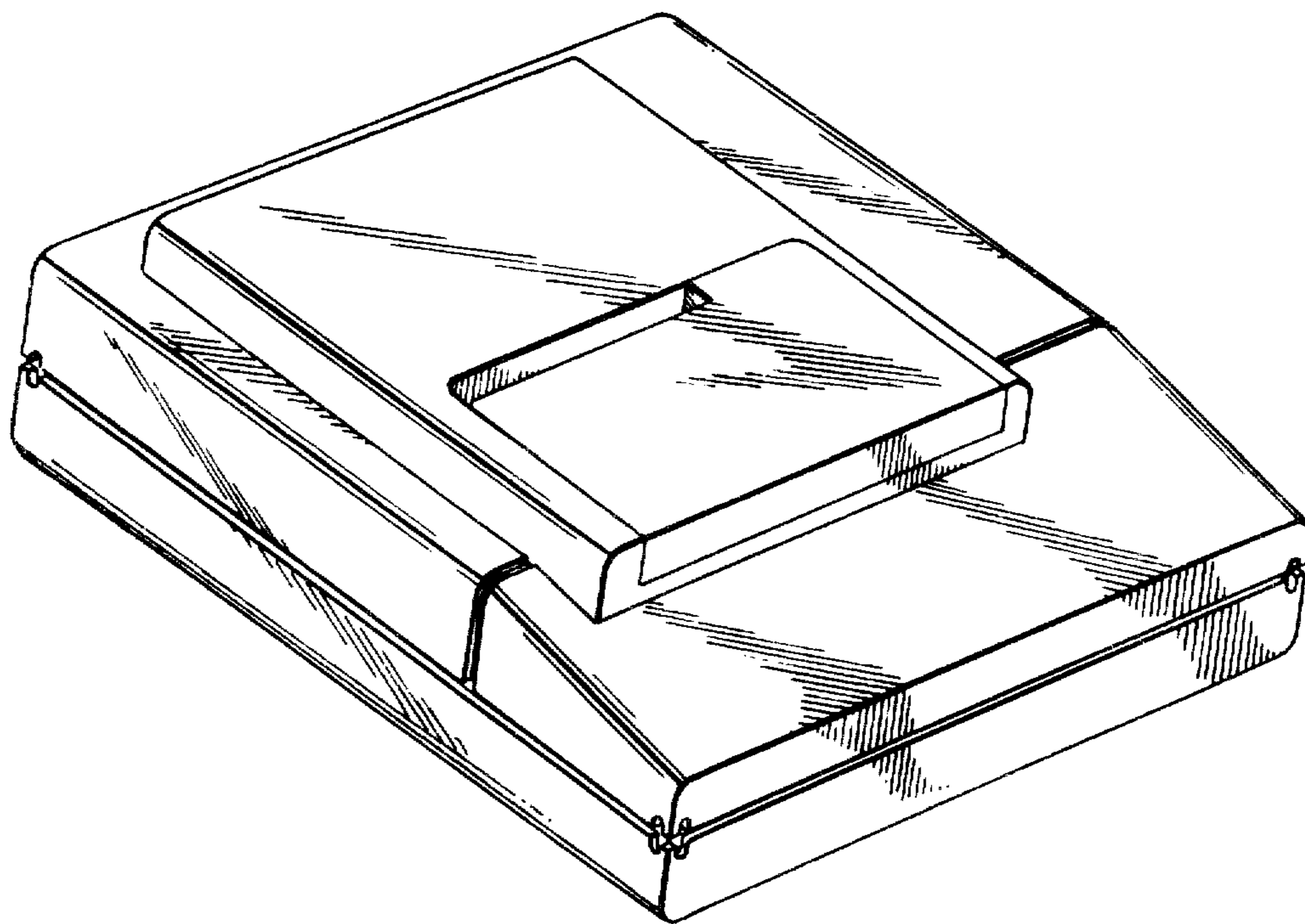
Attorney, Agent, or Firm—Laubscher, Philpitt & Laubscher

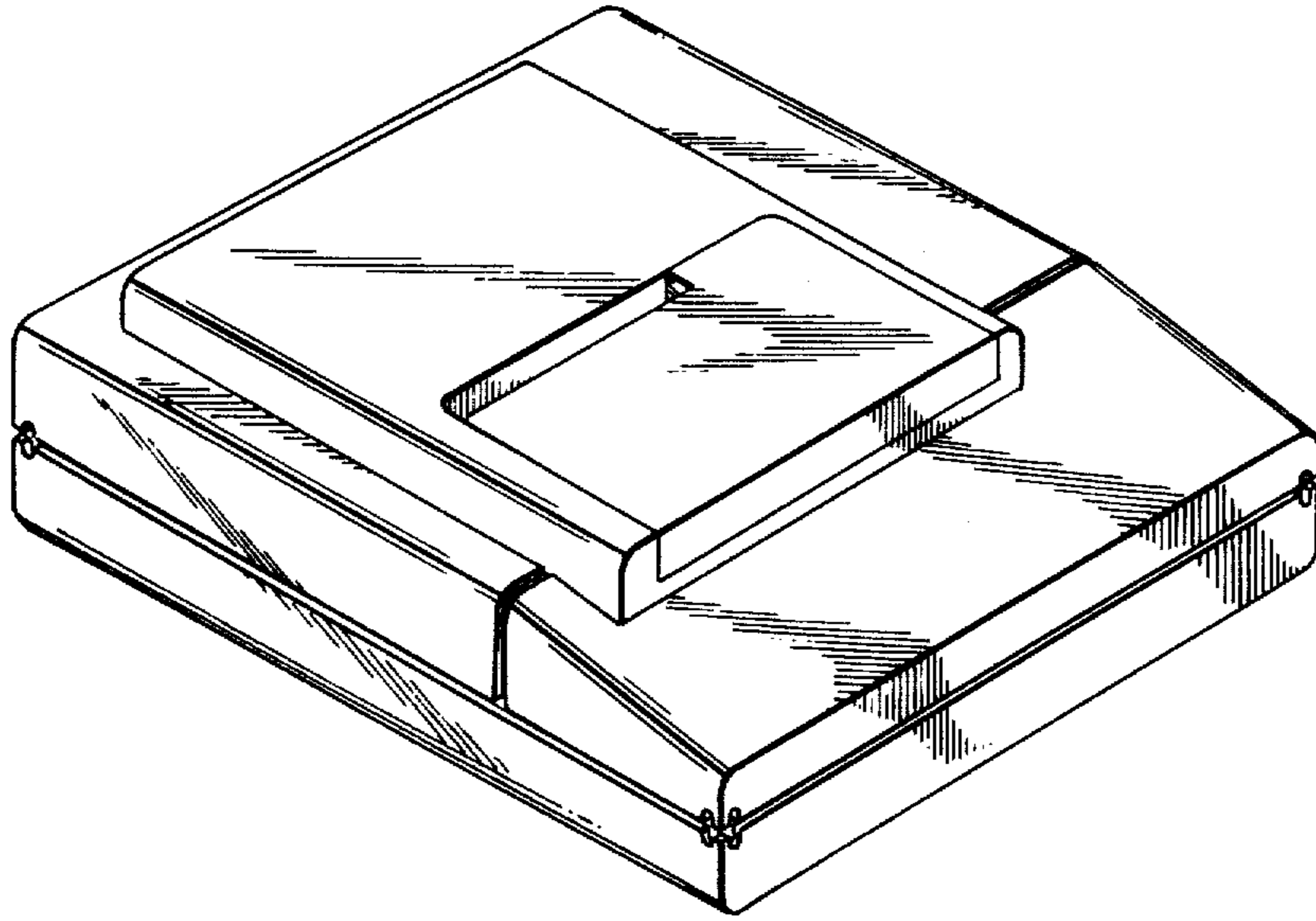
[57] CLAIM

The ornamental design for a printout terminal for computer, substantially as shown and described.

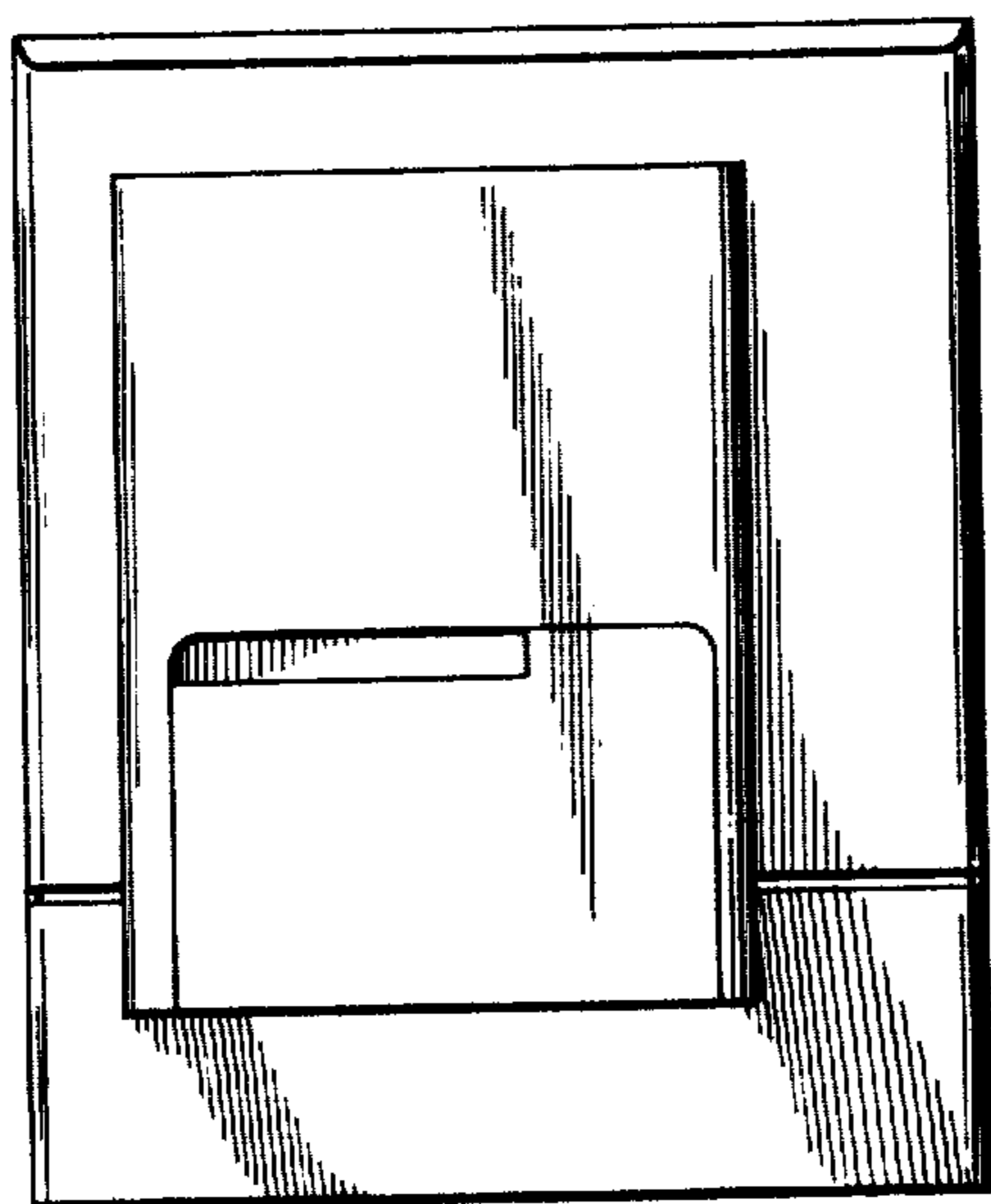
DESCRIPTION

FIG. 1 is a top, front, left perspective view of a printout terminal for computer showing my new design; FIG. 2 is a top, plan view of the printout terminal for computer; FIG. 3 is an end view of the printout terminal for computer; and FIG. 4 is a side view of the printout terminal for computer.

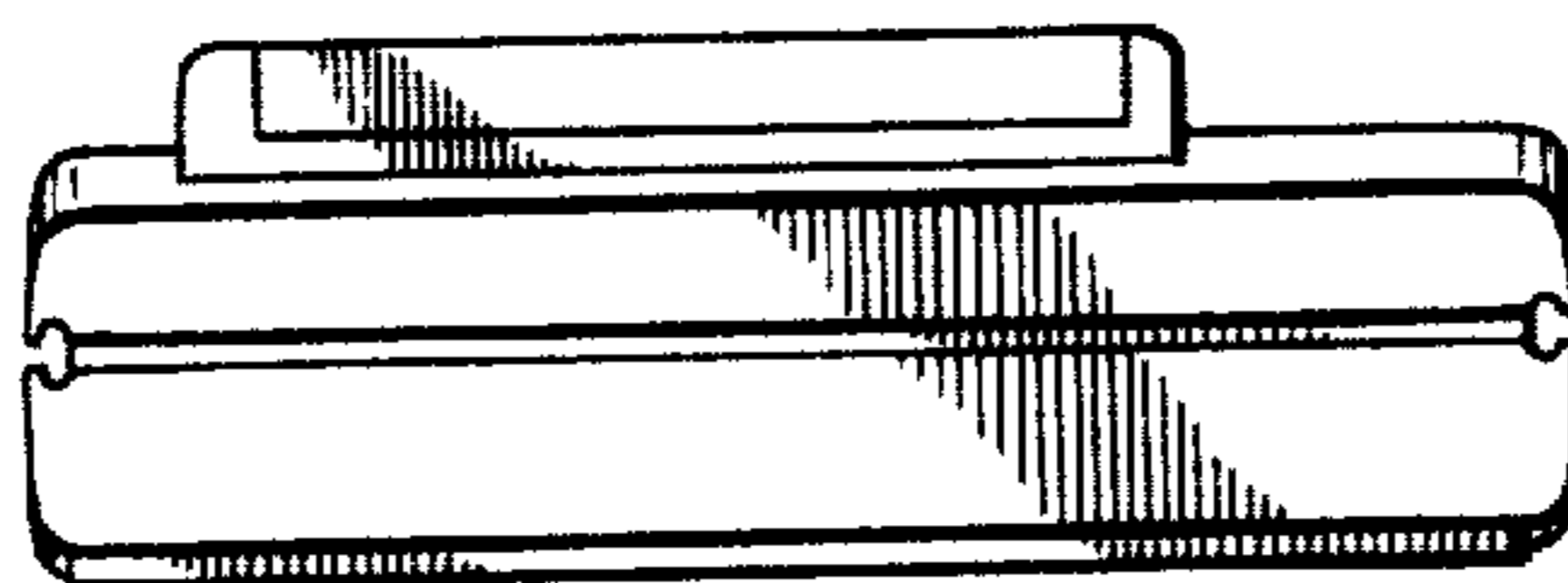




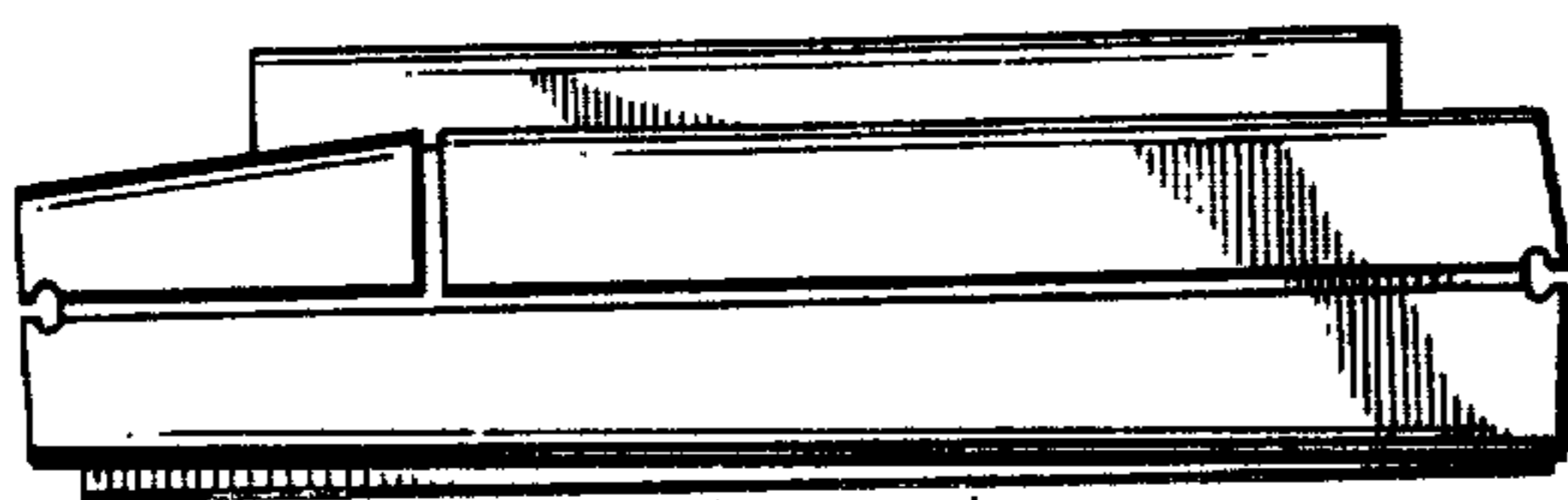
*FIG. 1.*



*FIG. 2.*



*FIG. 3.*



*FIG. 4.*