

[54] RECORD CLAMP

[76] Inventor: Brian D. Thurston, 285 W. 39th Ave., Vancouver, British Columbia, Canada, V5Y 2P4

[**] Term: 14 Years

[21] Appl. No.: 73,951

[22] Filed: Sep. 10, 1979

[51] Int. Cl. D14-01

[52] U.S. Cl. D14/25

[58] Field of Search D14/25; 346/69, 137; 360/86, 97, 99, 135; 369/270, 75

[56] References Cited

U.S. PATENT DOCUMENTS

- 3,096,095 7/1963 Churchill 369/270
- 4,002,826 1/1977 Iemenschot 369/270

- 4,022,478 5/1977 Stewart 369/270
- 4,068,851 1/1978 Yamamura 369/97

Primary Examiner—Peter M. Caun

[57] CLAIM

The ornamental design for a record clamp, substantially as shown.

DESCRIPTION

FIG. 1 is a perspective view of the record clamp showing my new design;
 FIG. 2 is a top plan view of the record clamp;
 FIG. 3 is a front elevational view of the clamp;
 FIG. 4 is a left elevational view showing one side of the clamp;
 FIG. 5 is a right elevational view showing a side opposite the one side of FIG. 4;
 FIG. 6 is a rear elevational view of the clamp; and
 FIG. 7 is a bottom plan view of the clamp.
 FIGS. 2-7 are all on a reduced scale.

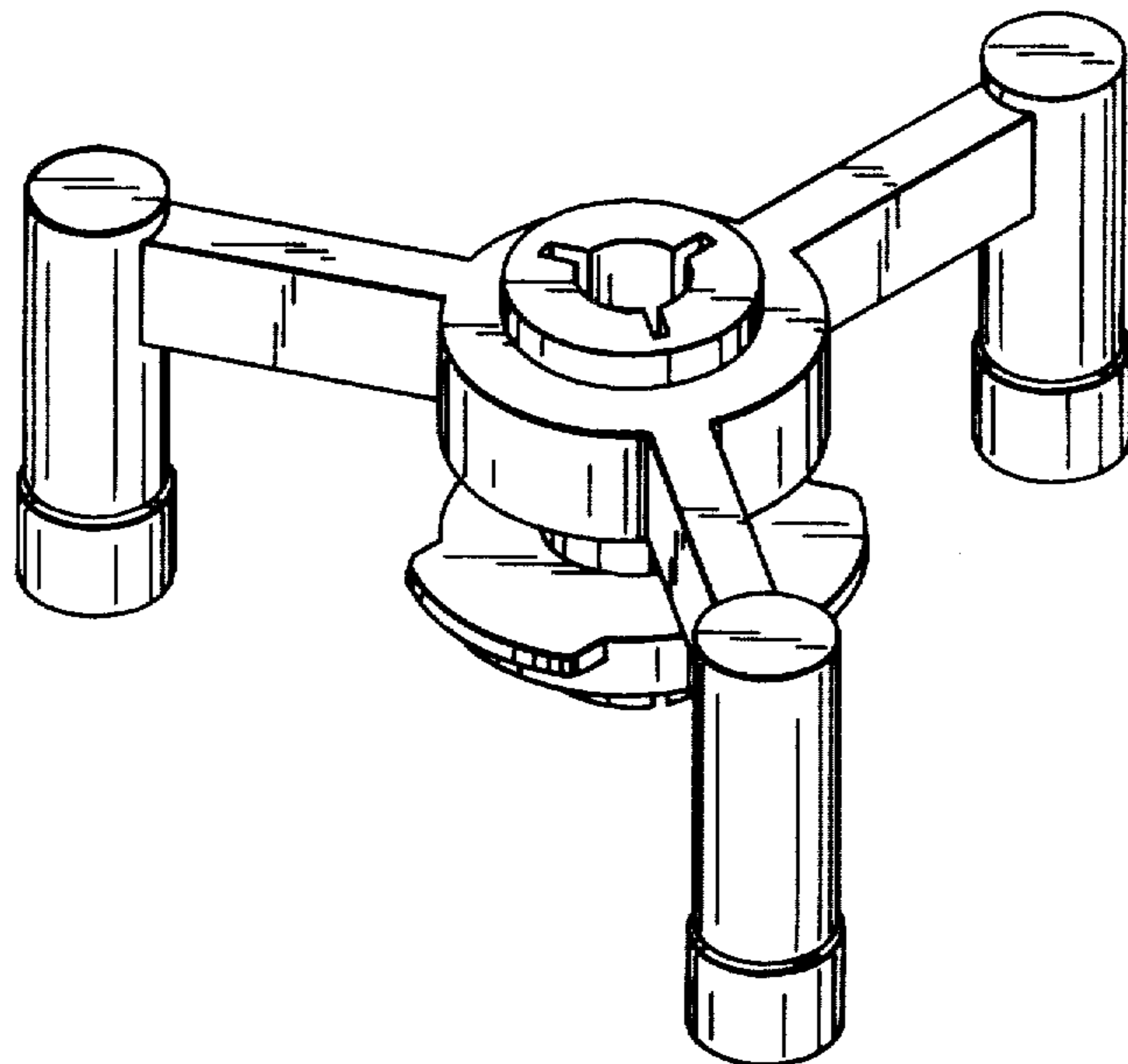


Fig. 1.

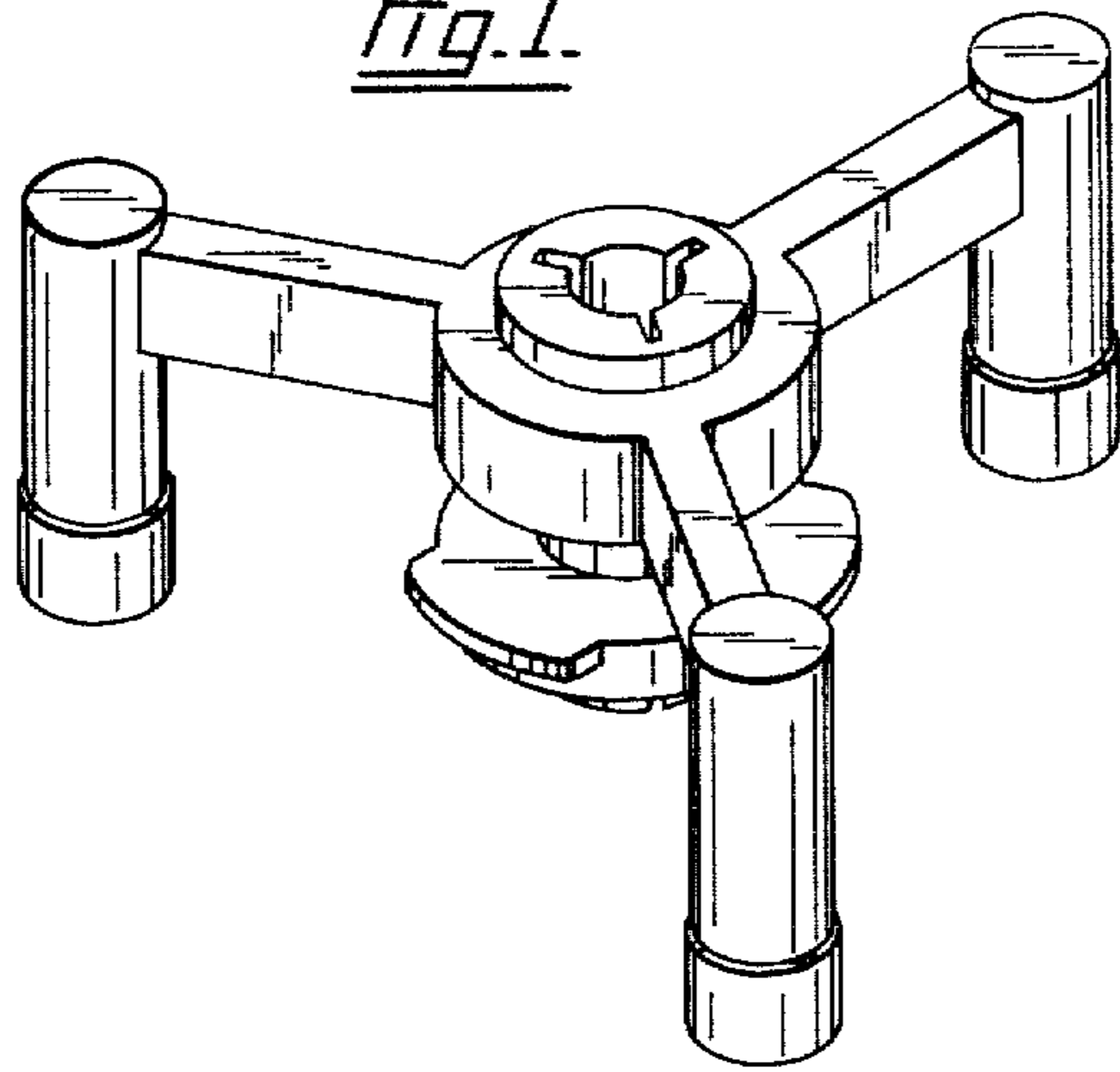


Fig. 2.

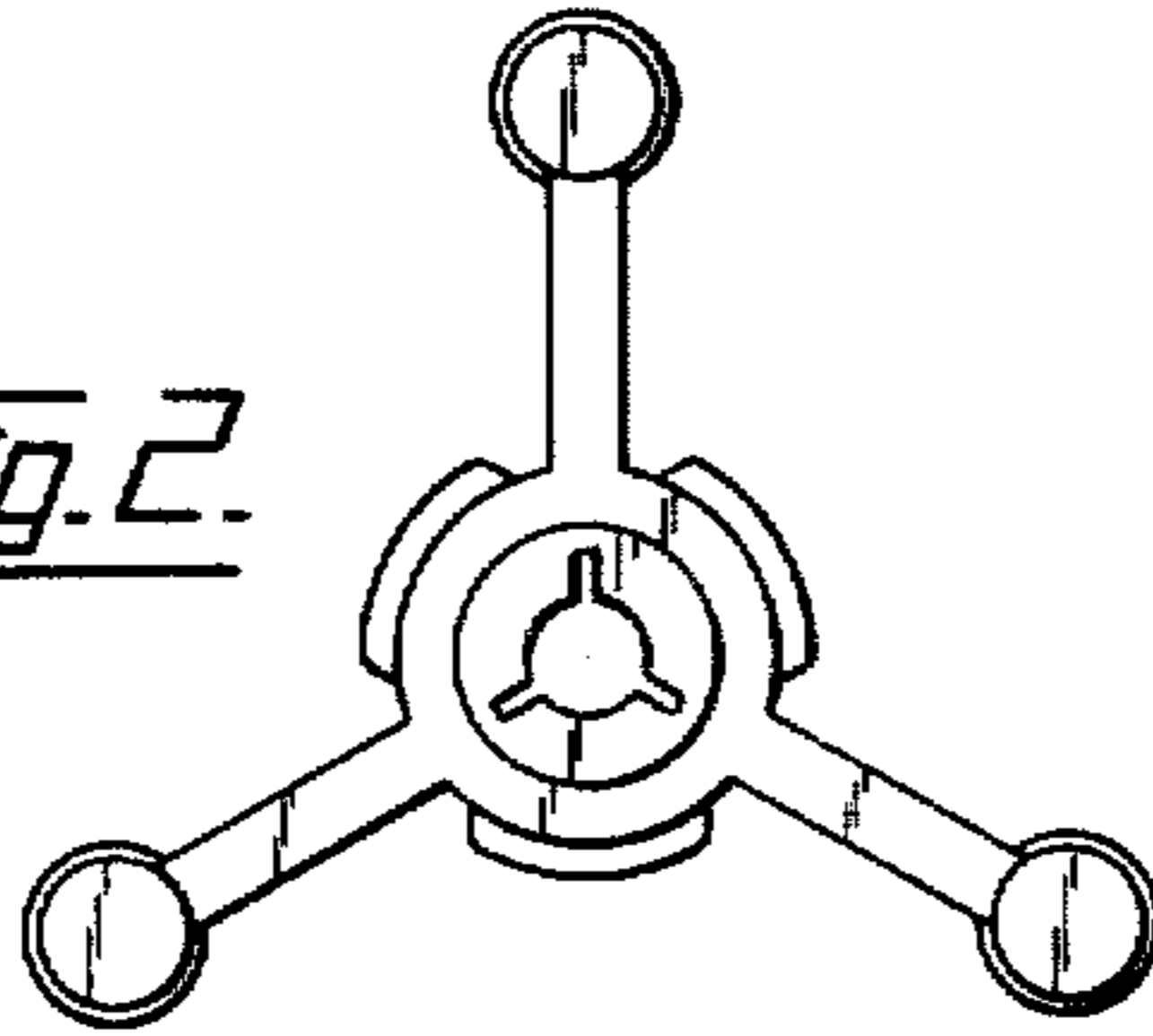


Fig. 4.

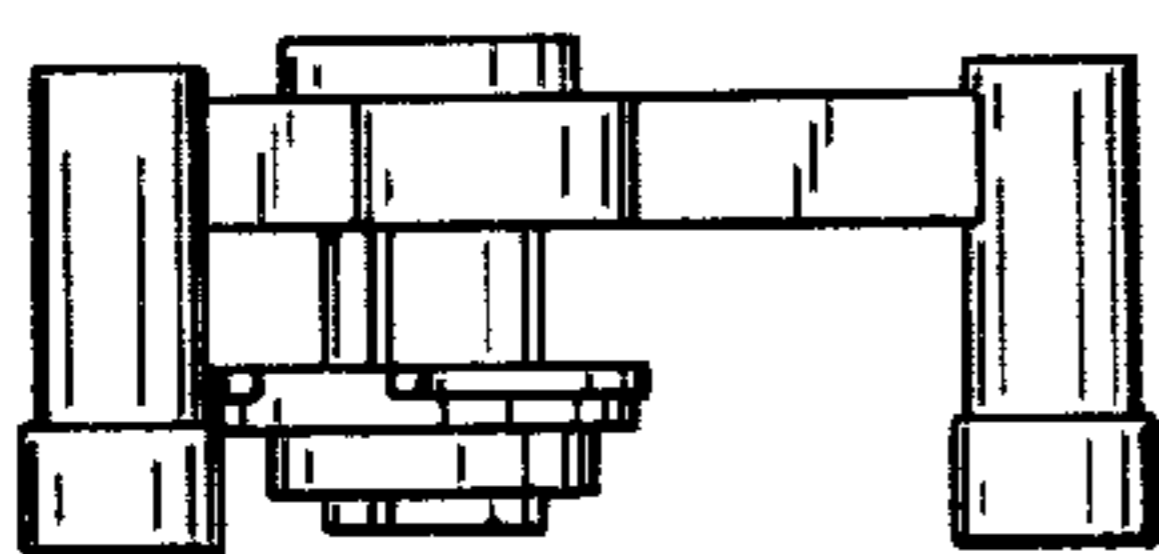


Fig. 3.

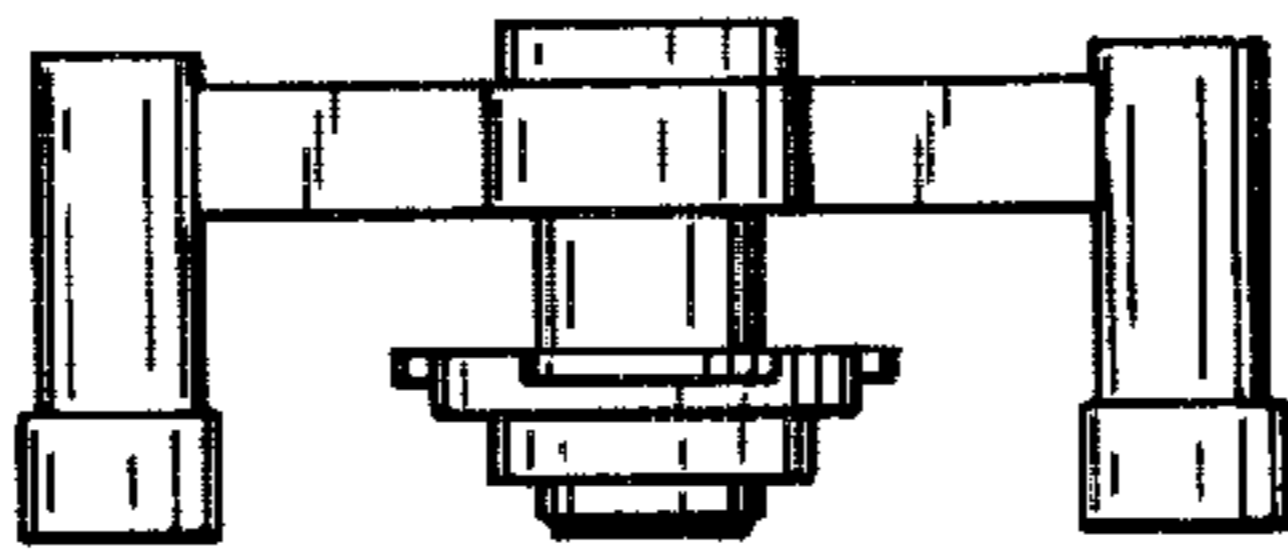


Fig. 5.

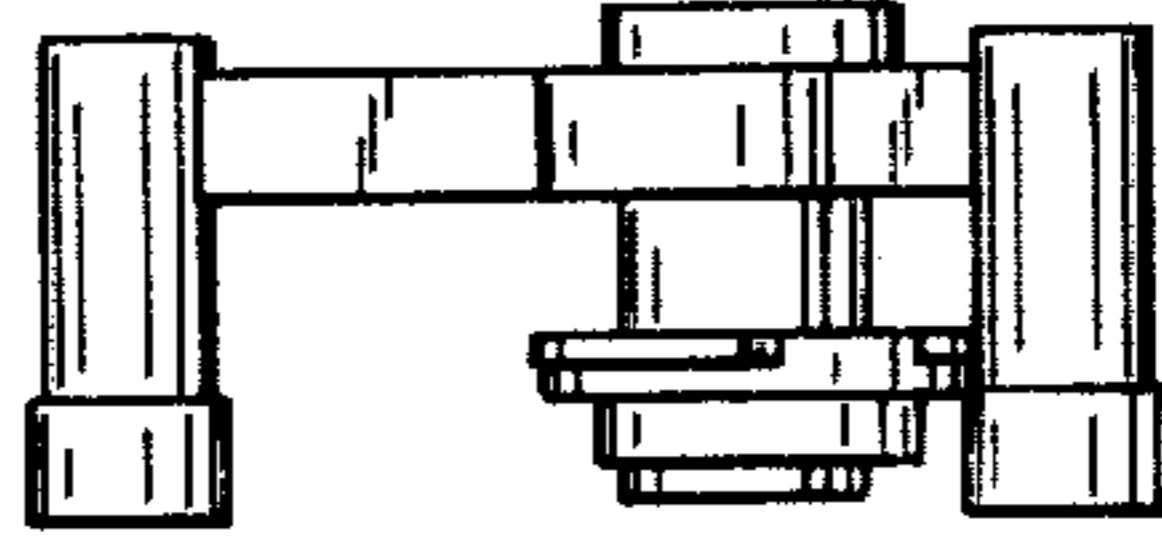


Fig. 6.

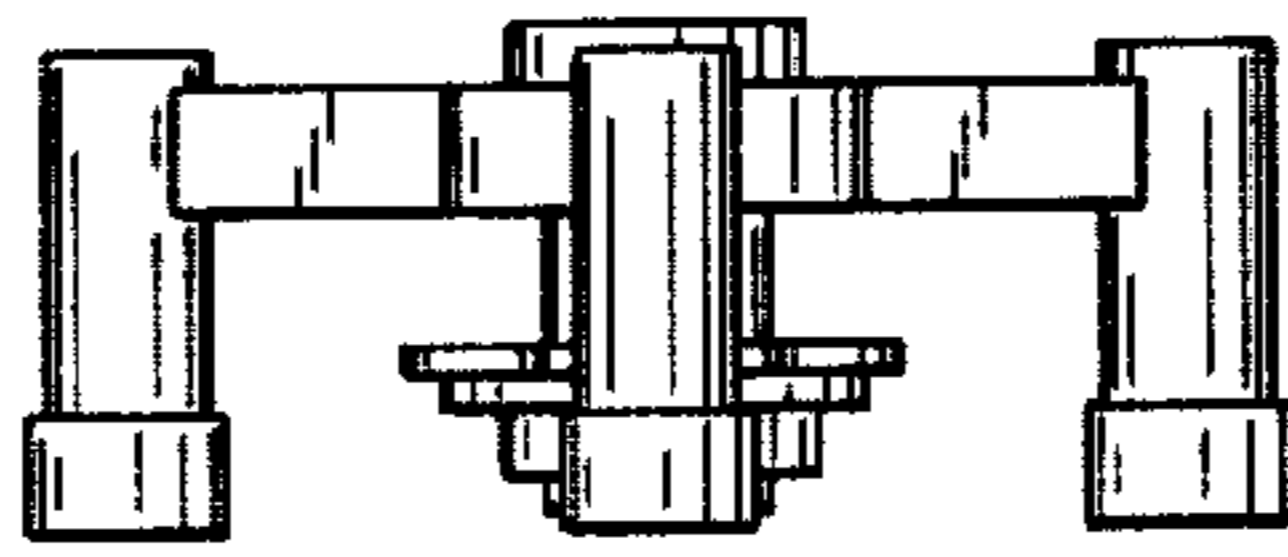


Fig. 7.

