

[54] LOUDSPEAKER HOUSING OR SIMILAR ARTICLE

[76] Inventor: Robert B. Chapman, 12822 3rd Ave. S., Seattle, Wash. 98168

[**] Term: 14 Years

[21] Appl. No.: 19,487

[22] Filed: Mar. 12, 1979

[51] Int. Cl. D14-01

[52] U.S. Cl. D14/34

[58] Field of Search D14/33, 34, 37, 30; 181/198, 199, 157; 179/116, 1 E

[56] References Cited

U.S. PATENT DOCUMENTS

D. 155,609	10/1949	Hooks	D14/34
D. 199,676	12/1964	Reed	D14/34
D. 229,068	11/1973	Engle	D14/34
D. 254,490	3/1980	Matsubara	D14/30

OTHER PUBLICATIONS

Radio Shack, 1977, p. 49, Delux Surface Mount Speakers, Item #12-1843.

Primary Examiner—Bernard Ansher

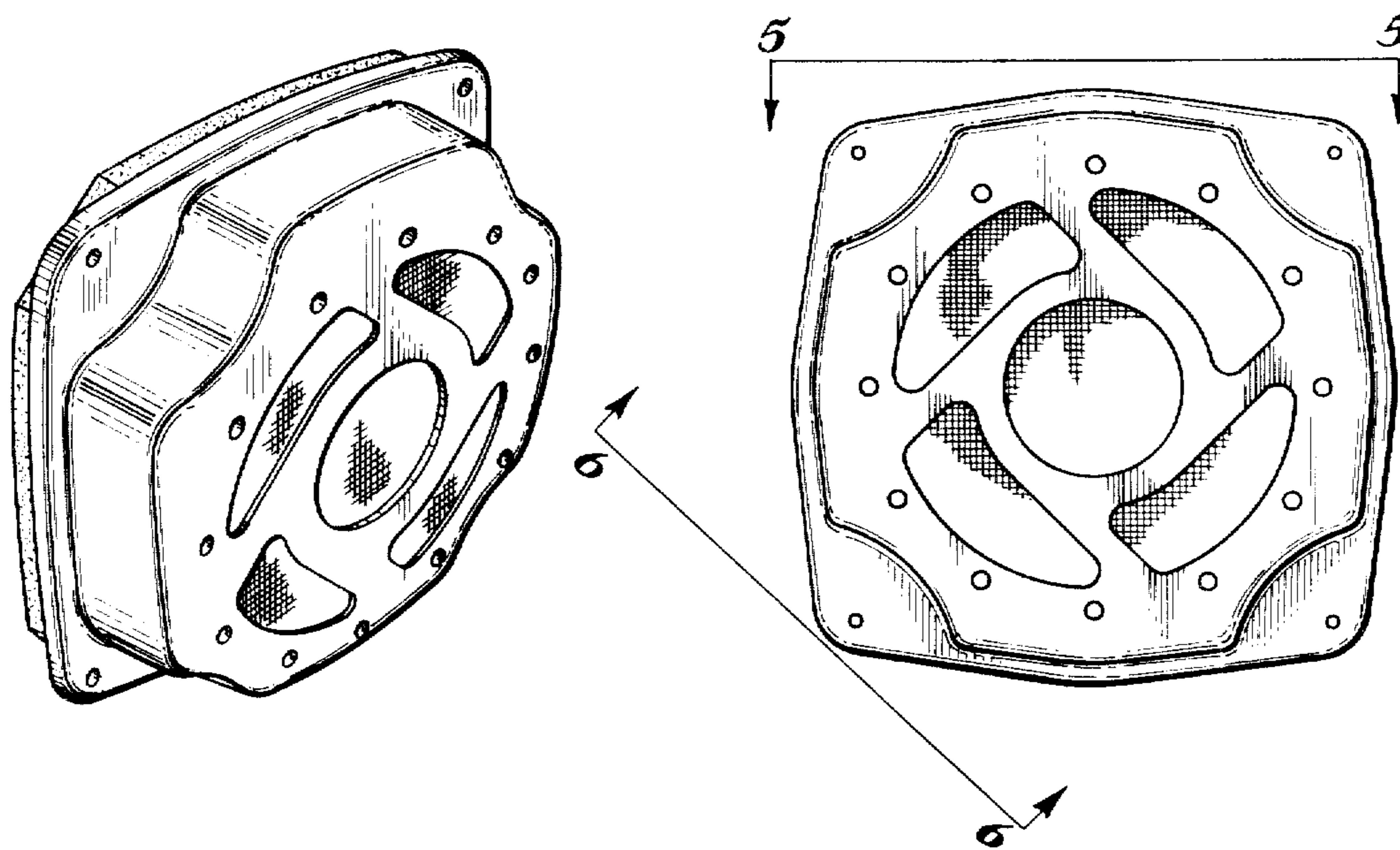
[57] CLAIM

The ornamental design for a loudspeaker housing or similar article, as shown and described.

DESCRIPTION

FIG. 1 is a front isometric view of a loudspeaker housing or similar article showing my new design;
 FIG. 2 is a front isometric view thereof;
 FIG. 3 is a rear elevation thereof;
 FIG. 4 is a front elevation of a modified embodiment of the speaker housing illustrated in FIG. 2;
 FIG. 5 is a side elevation as seen in the direction of line 5—5 of FIGS. 2 and 4; and
 FIG. 6 is a side elevation as seen on line 6—6 of FIGS. 2 and 4.

Other than the frontal views, all views of both embodiments are identical.



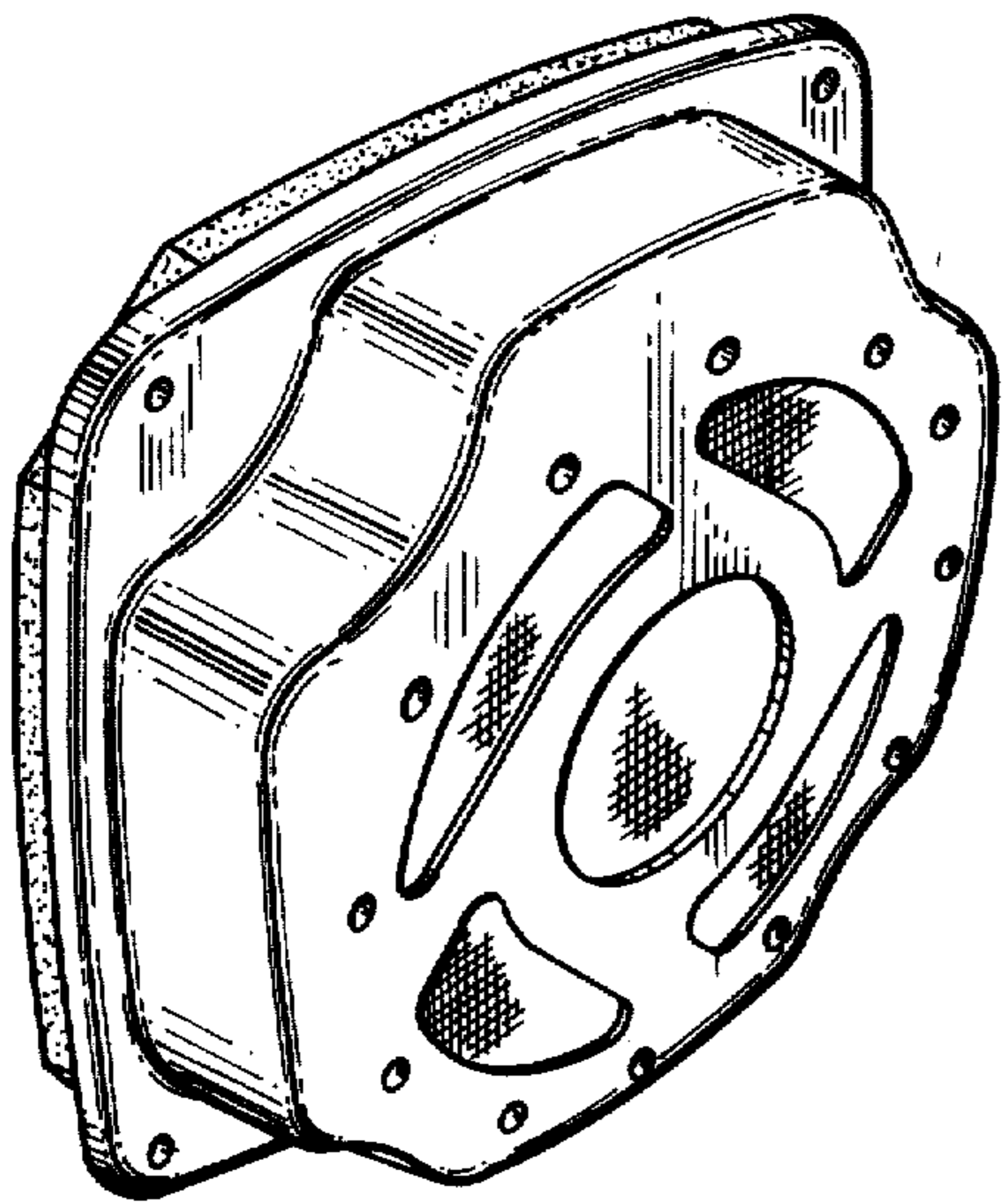


FIG. 1

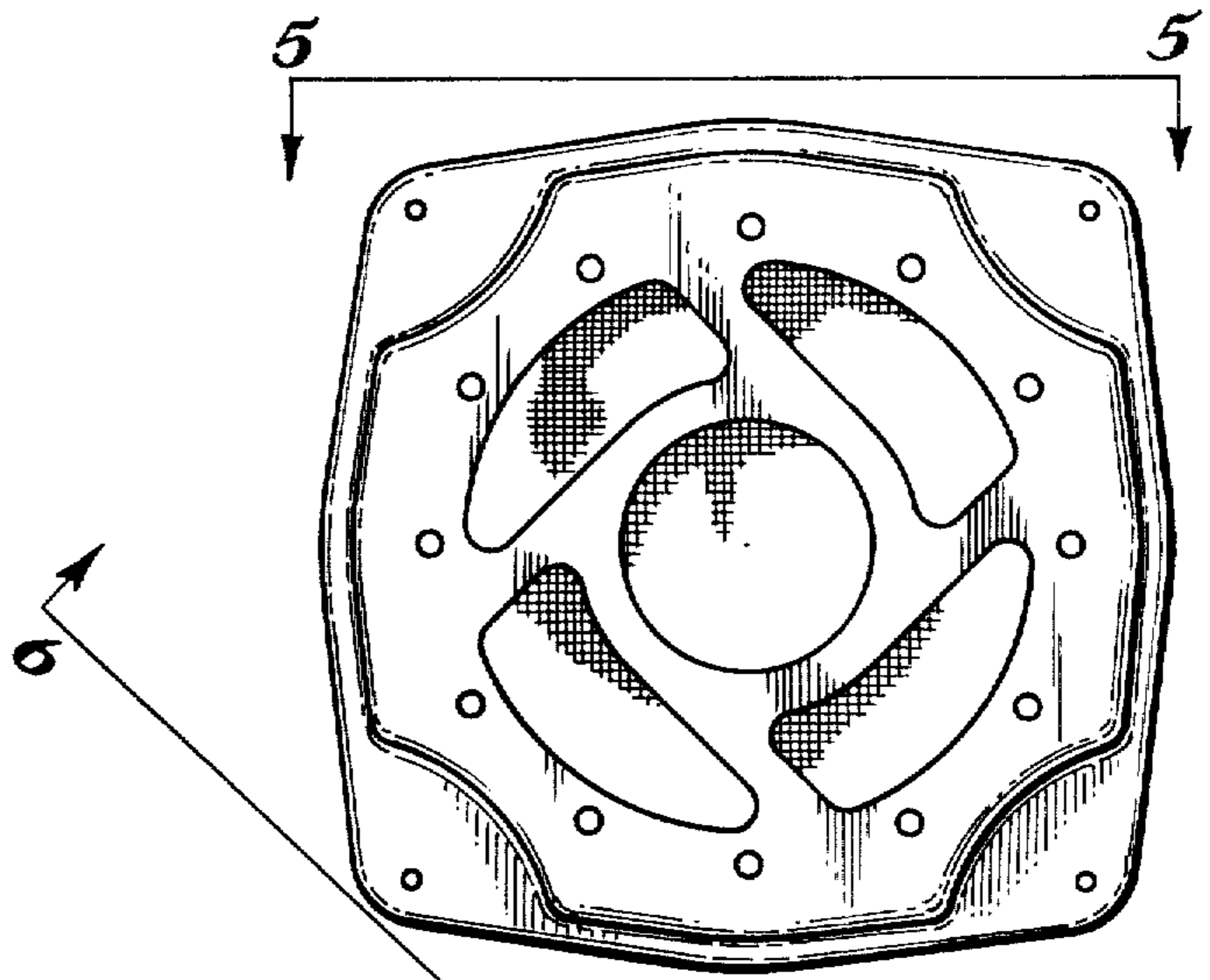


FIG. 2

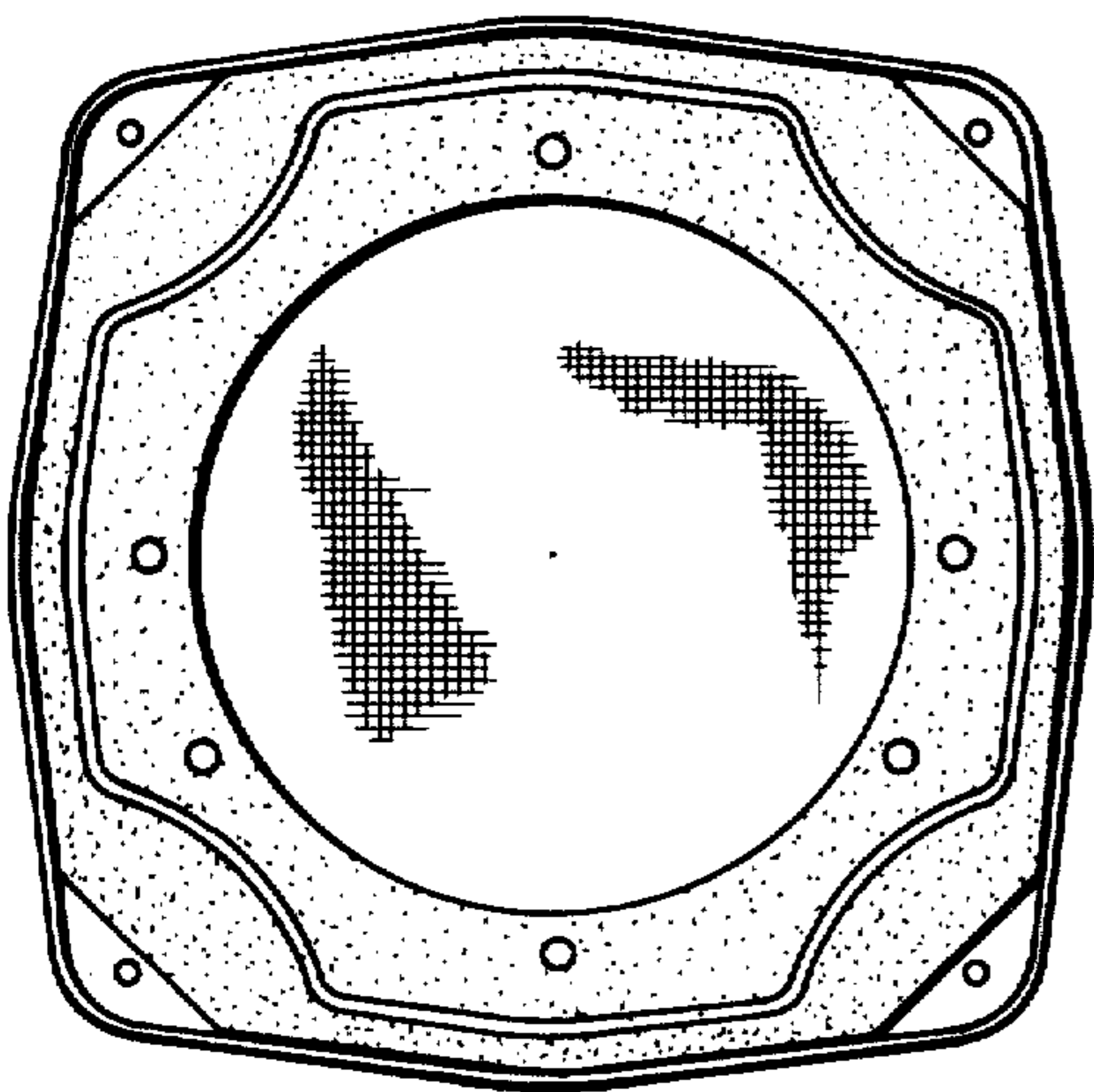


FIG. 3

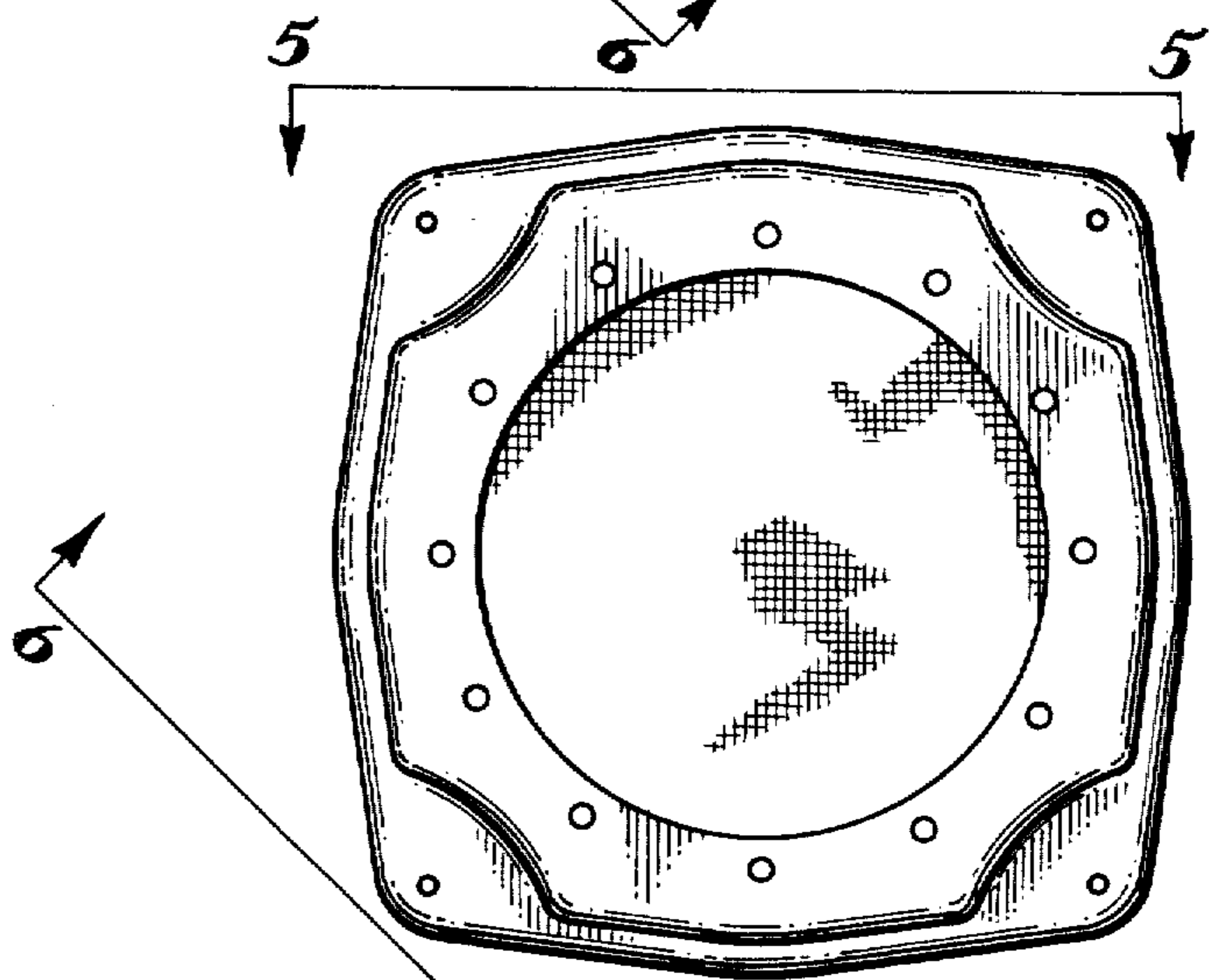


FIG. 4

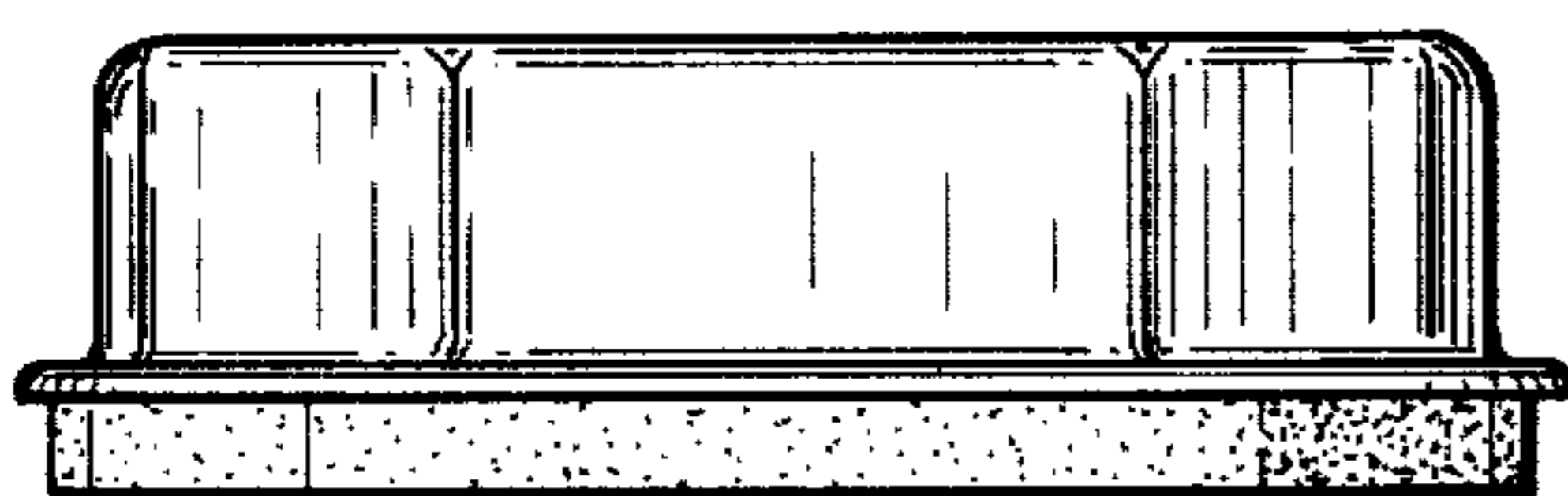


FIG. 5

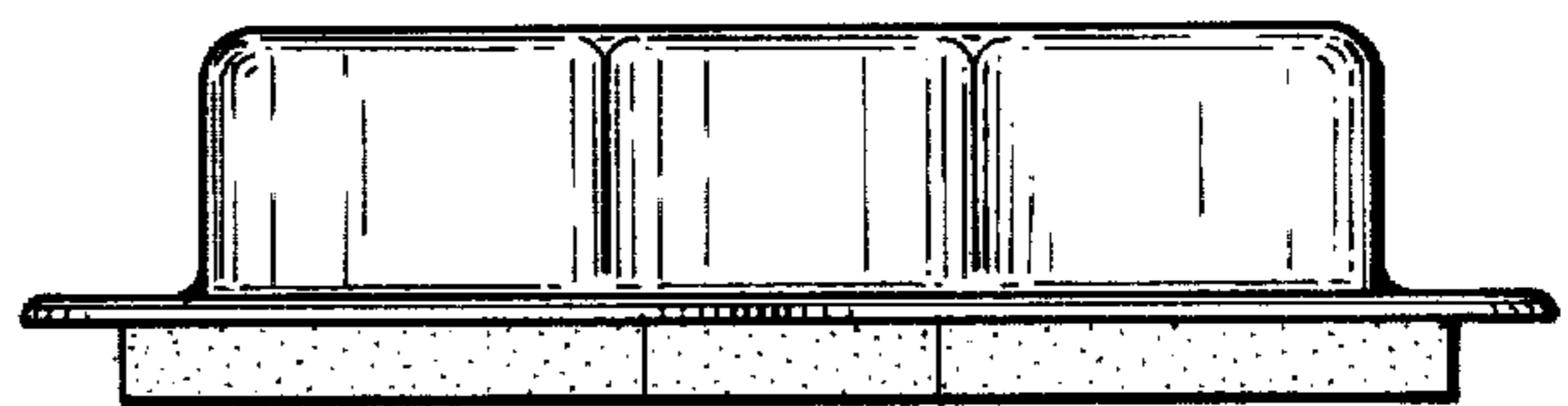


FIG. 6