

[54] MOBILE HOME

[76] Inventor: Charles L. Porter, 302 Maple Island Rd., Burnsville, Minn. 55337

[**] Term: 14 Years

[21] Appl. No.: 924,459

[22] Filed: Jul. 13, 1978

[51] Int. Cl. D12-10

[52] U.S. Cl. D12/103

[58] Field of Search D12/104, 103; 296/171, 296/172, 173, 175, 176, 26; 52/69, 70, 68, 67, 66

[56] References Cited

U.S. PATENT DOCUMENTS

- D. 218,092 7/1970 King et al. D12/104
- 2,167,557 7/1939 Stout 52/69

- 3,460,297 8/1969 Fritz 296/173
- 3,667,800 6/1972 Cuthbert 296/173
- 3,862,526 1/1975 Loughlin D12/103

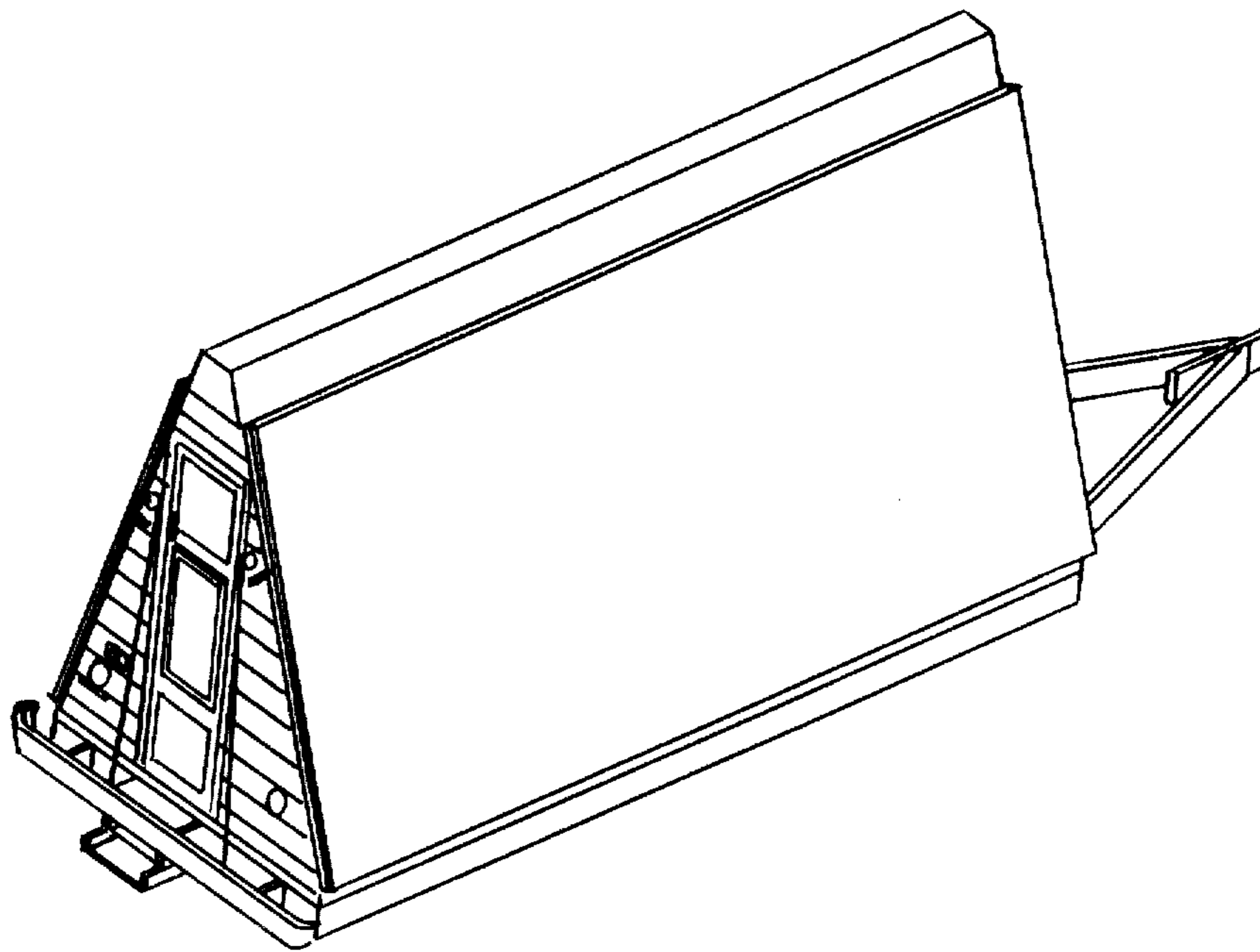
Primary Examiner—James M. Gandy
Attorney, Agent, or Firm—Donald L. Weinhold, Jr.

[57] CLAIM

The ornamental design for a mobile home, as shown and described.

DESCRIPTION

FIG. 1 is a front elevation view of a mobile home showing my new design.
 FIG. 2 is a perspective view thereof on a reduced scale.
 FIG. 3 is a rear elevation view thereof.
 The side of the mobile home not shown is a mirror image of the side shown in FIG. 2.
 The broken lines in the drawing are for illustrative purposes only.



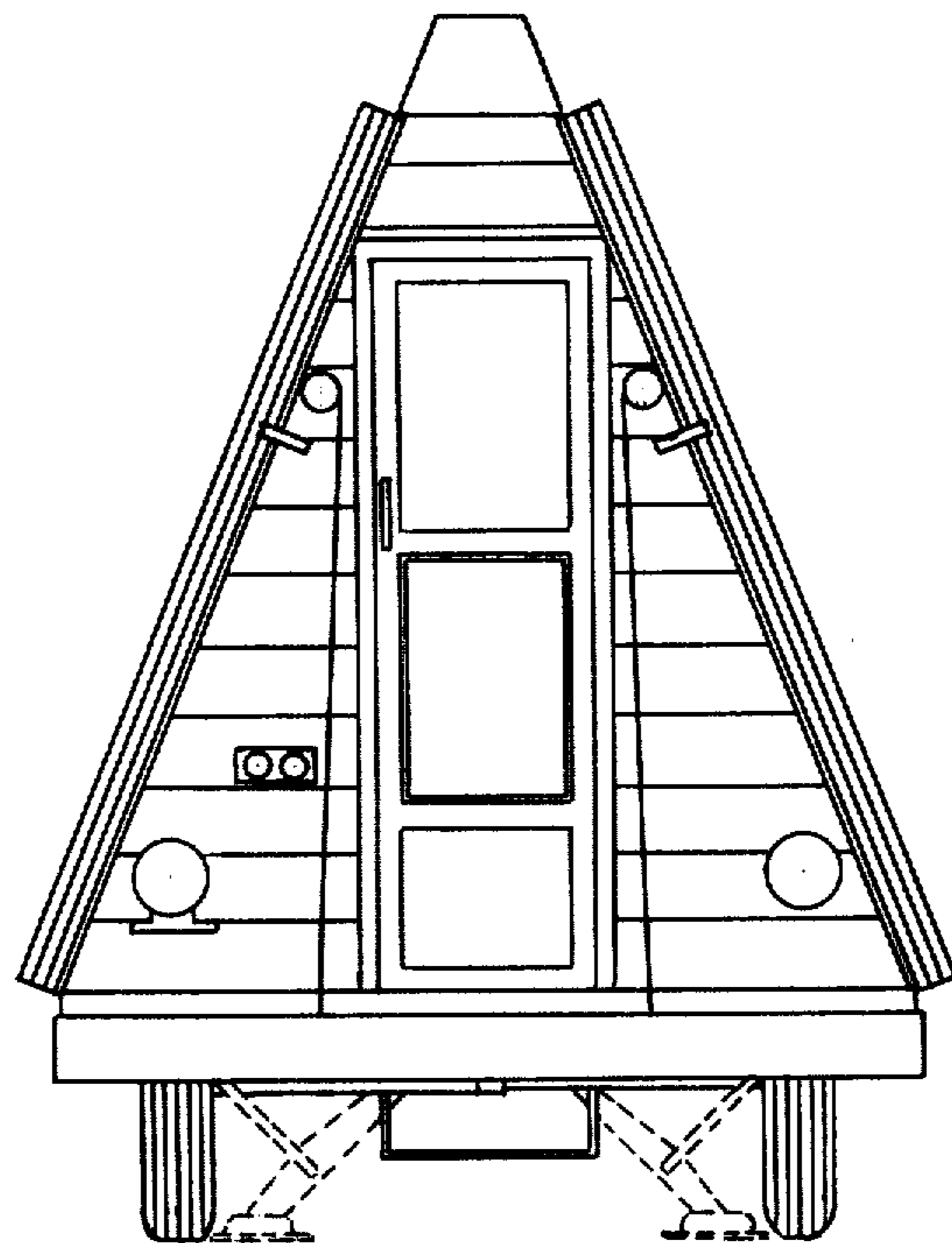


FIG. 1

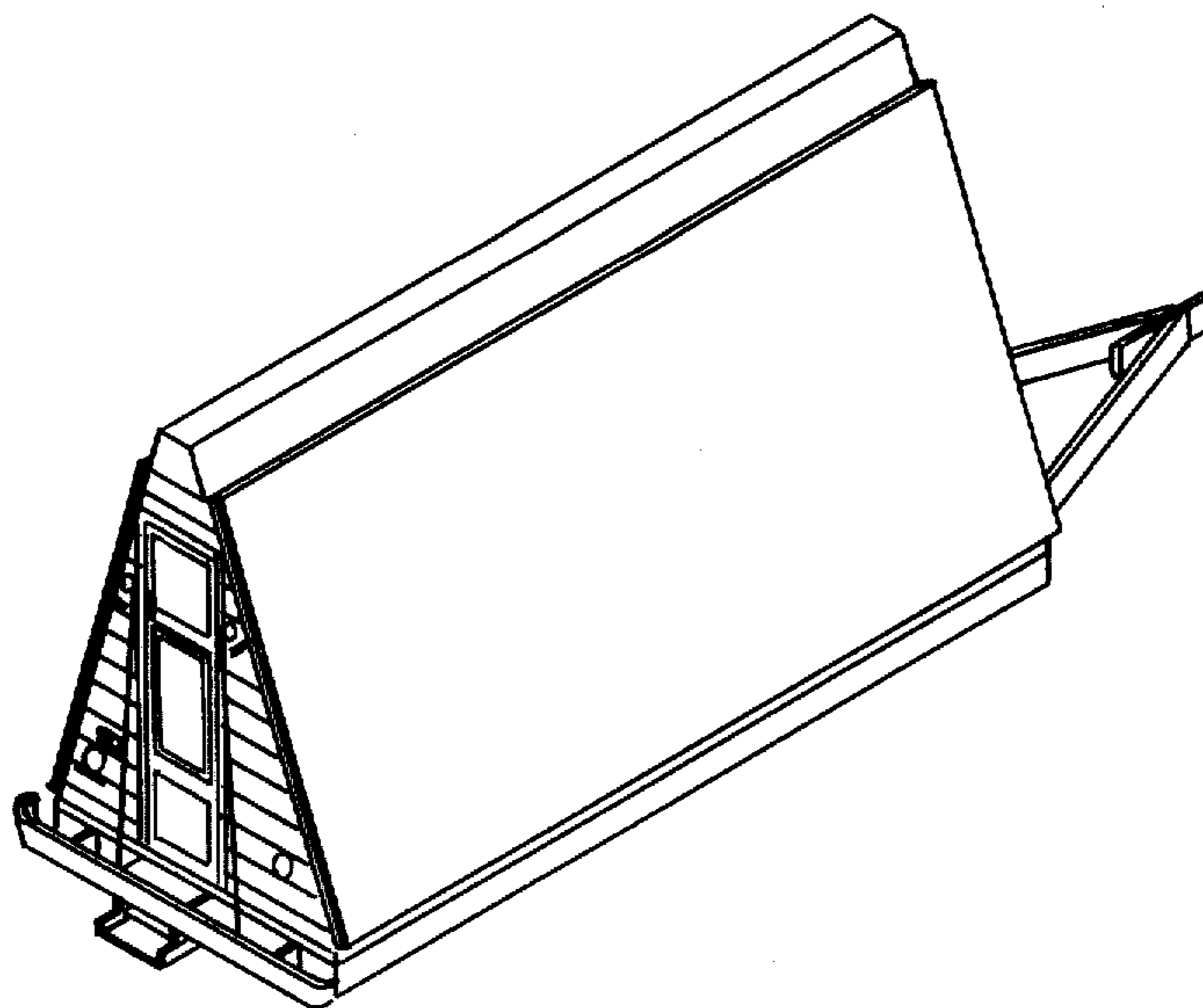


FIG. 2

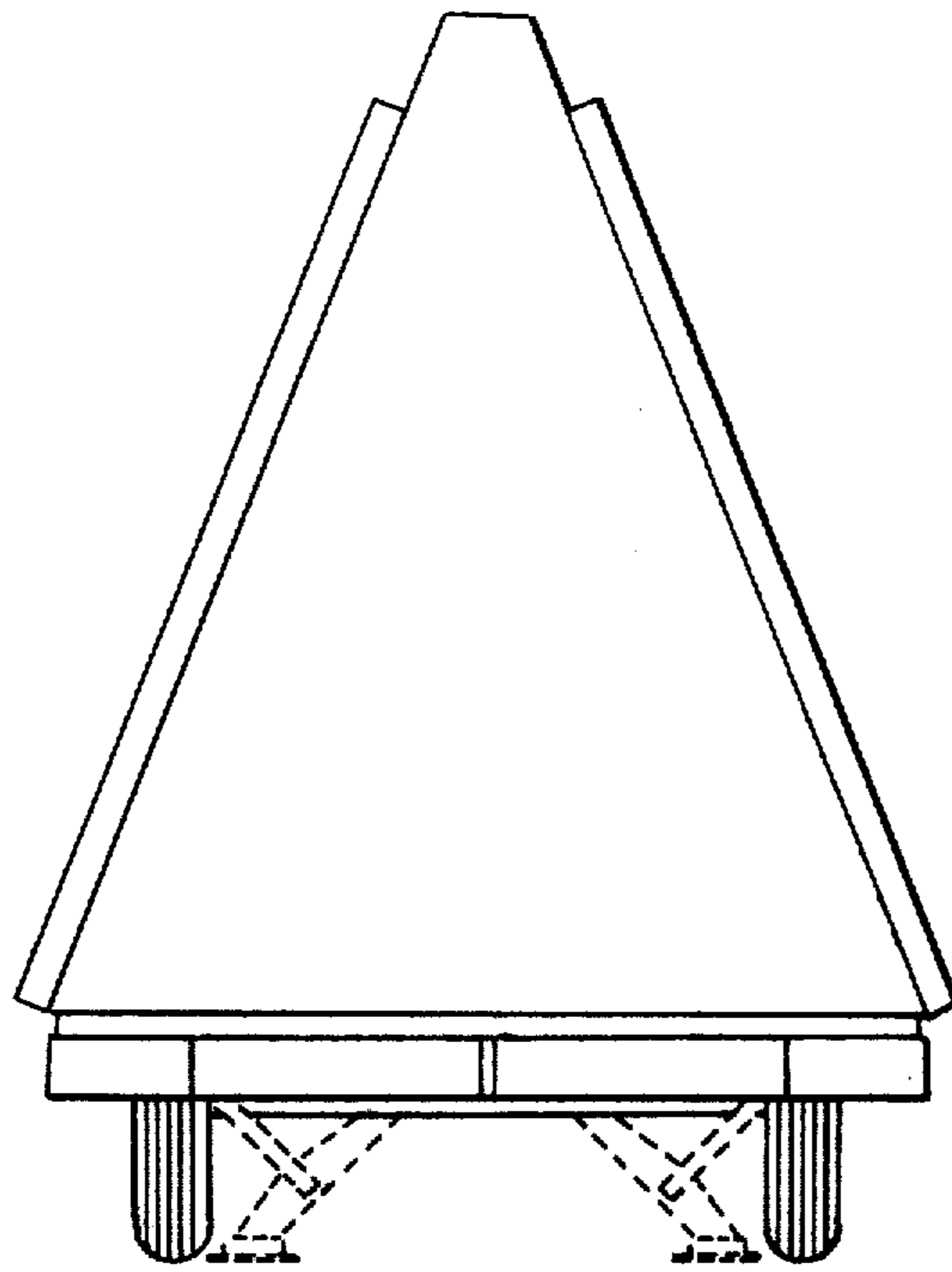


FIG. 3