

[54] **COMBINED BOTTLE AND CAP**
[75] Inventor: **John A. Grip, Wayne, N.J.**
[73] Assignee: **American Cyanamid Company,
Stamford, Conn.**
[**] Term: **14 Years**
[21] Appl. No.: **121,193**
[22] Filed: **Feb. 13, 1980**

[51] Int. Cl. **D9-01**
[52] U.S. Cl. **D9/370; D9/389;
D9/413**
[58] Field of Search **D9/370, 389, 403, 413;
215/1 R, 1 C**

[56] **References Cited**
U.S. PATENT DOCUMENTS

D. 43,507 2/1913 Nelson D9/413
D. 85,307 10/1931 Sierad D9/407

D. 210,249 2/1968 Linn, Jr. D9/403
D. 236,586 9/1975 McDonald D9/413
D. 256,885 9/1980 DiScala D9/403
D. 256,886 9/1980 DiScala D9/403

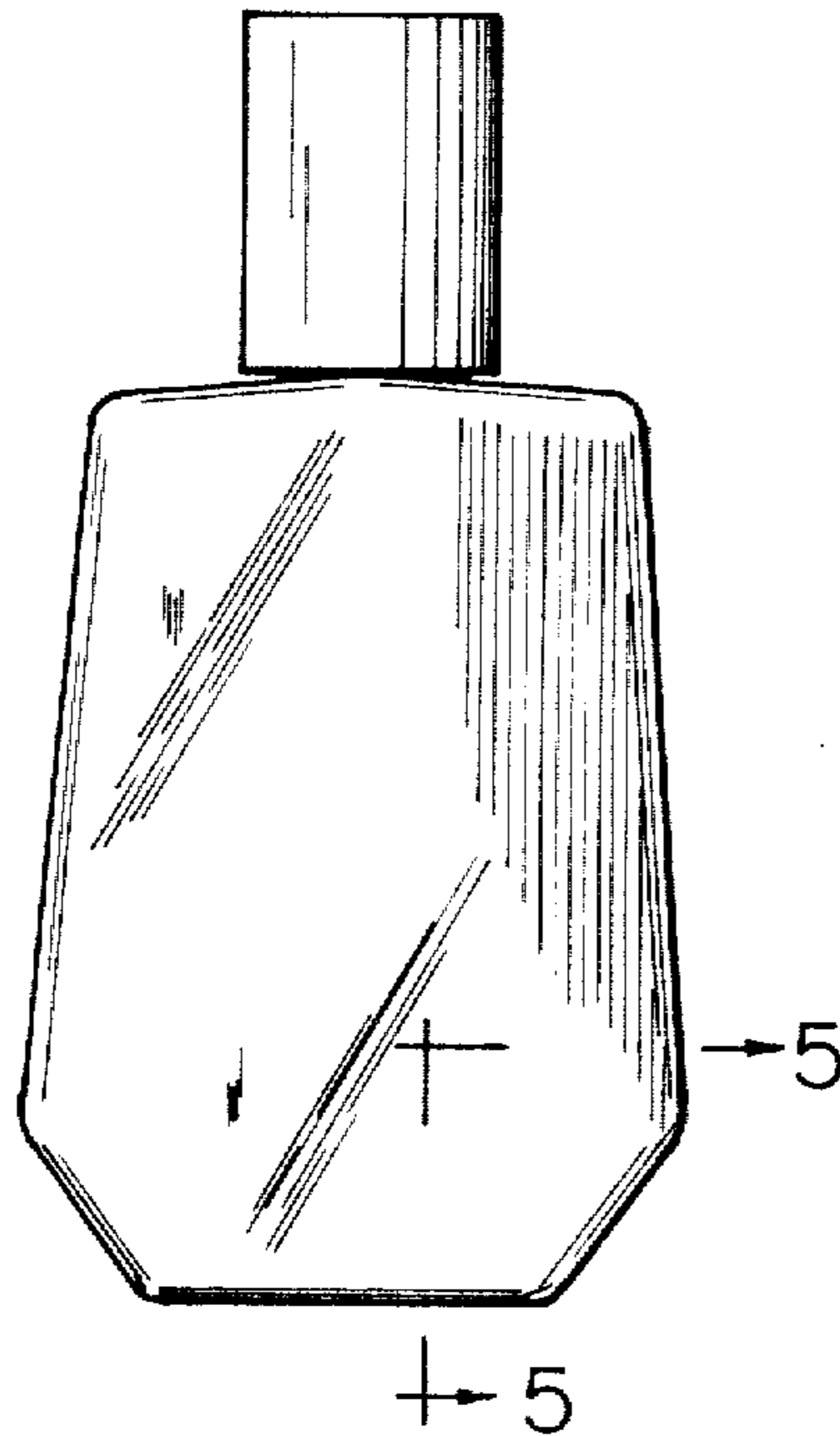
Primary Examiner—Robert C. Spangler
Attorney, Agent, or Firm—Charles J. Fickey

[57] **CLAIM**

The ornamental design for a combined bottle and cap, substantially as shown and described.

DESCRIPTION

FIG. 1 is a top plan view of a combined bottle and cap showing my new design;
FIG. 2 is a front view in elevation thereof, the obverse view being identical to the front view;
FIG. 3 is a bottom plan view thereof;
FIG. 4 is an end view in elevation thereof, both end views being identical; and
FIG. 5 is a partial cross-sectional view taken along the lines 5-5 of FIG. 1.



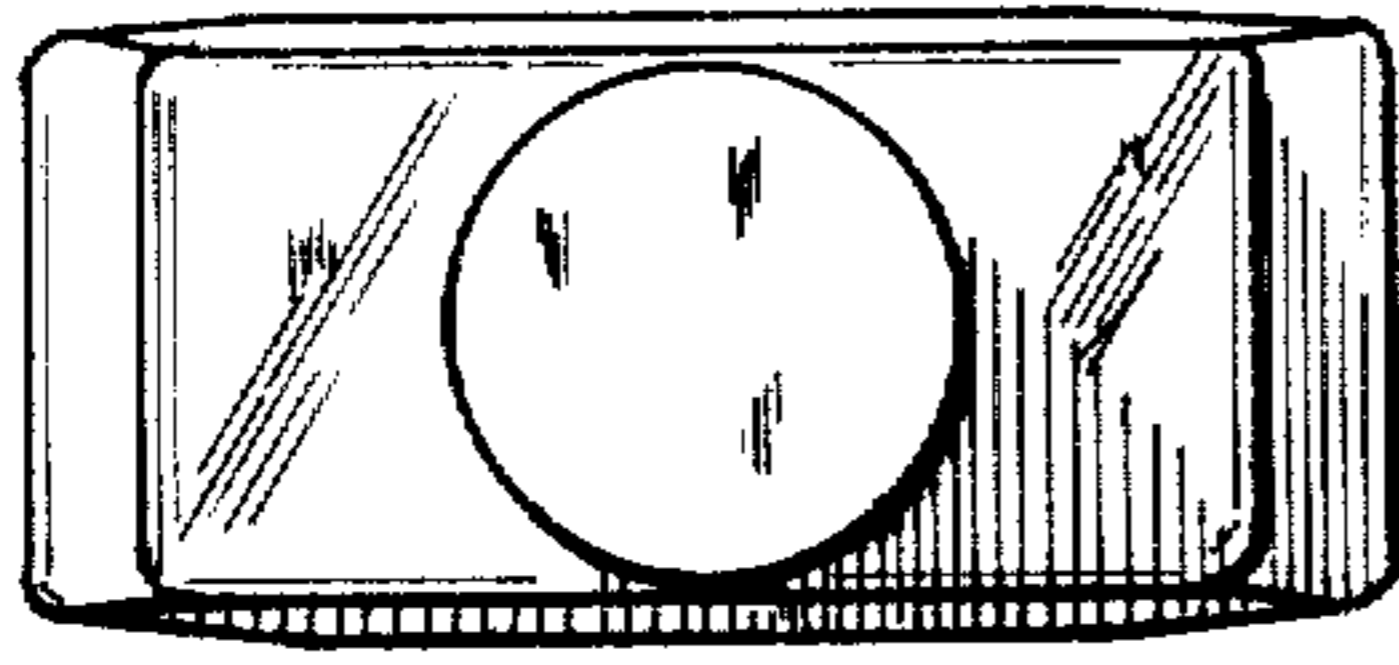


FIG. 1

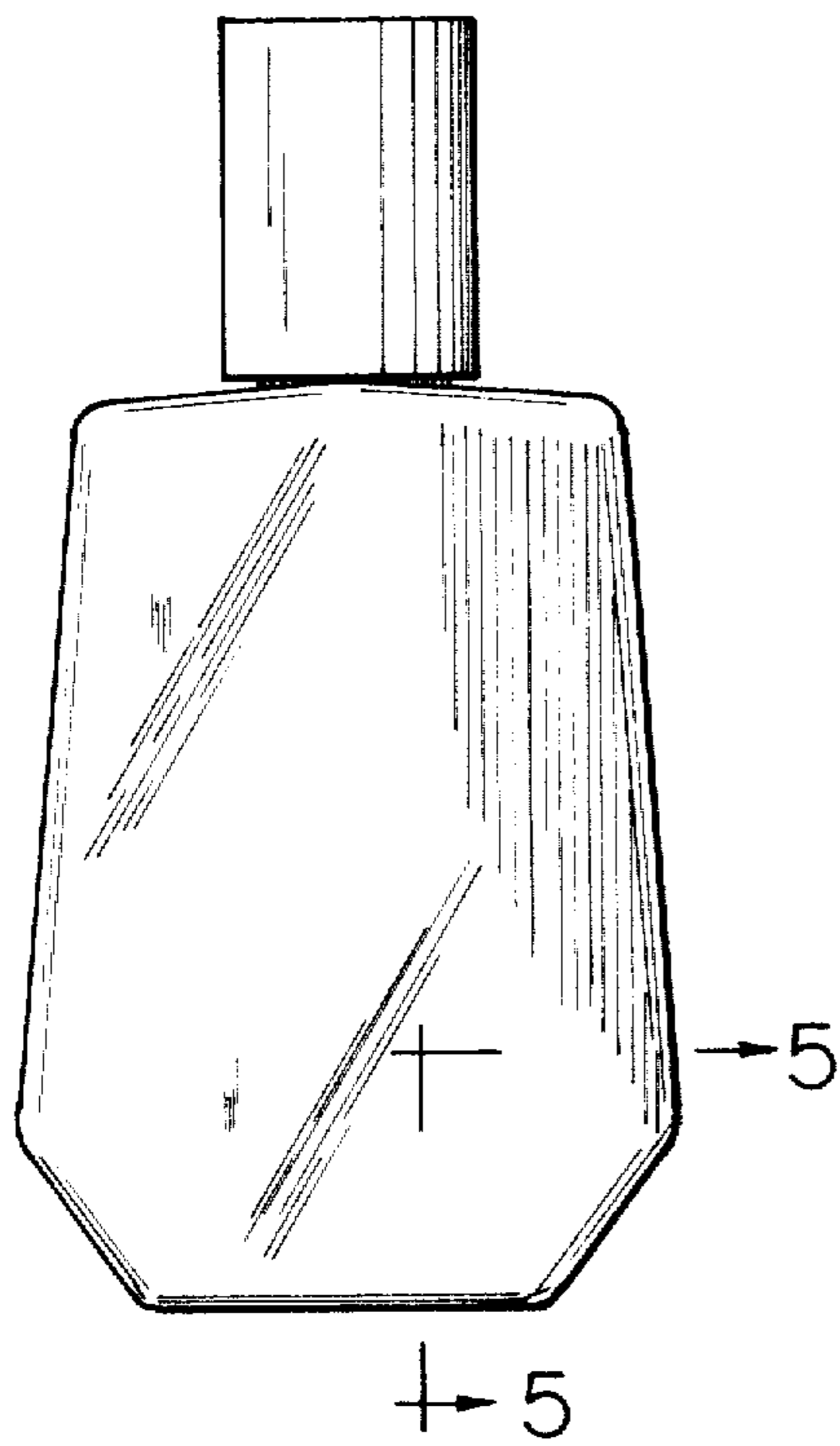


FIG. 2

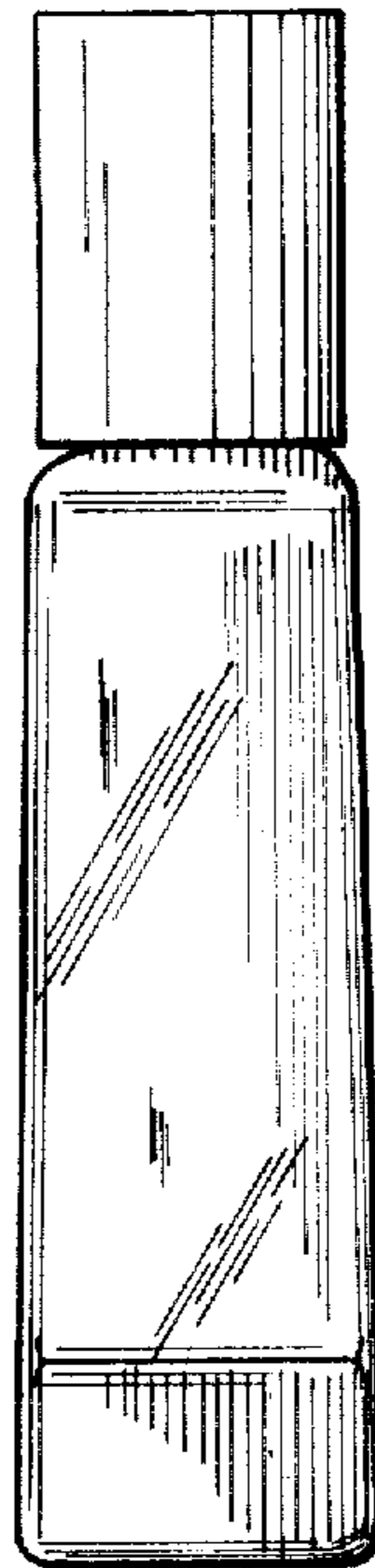


FIG. 4

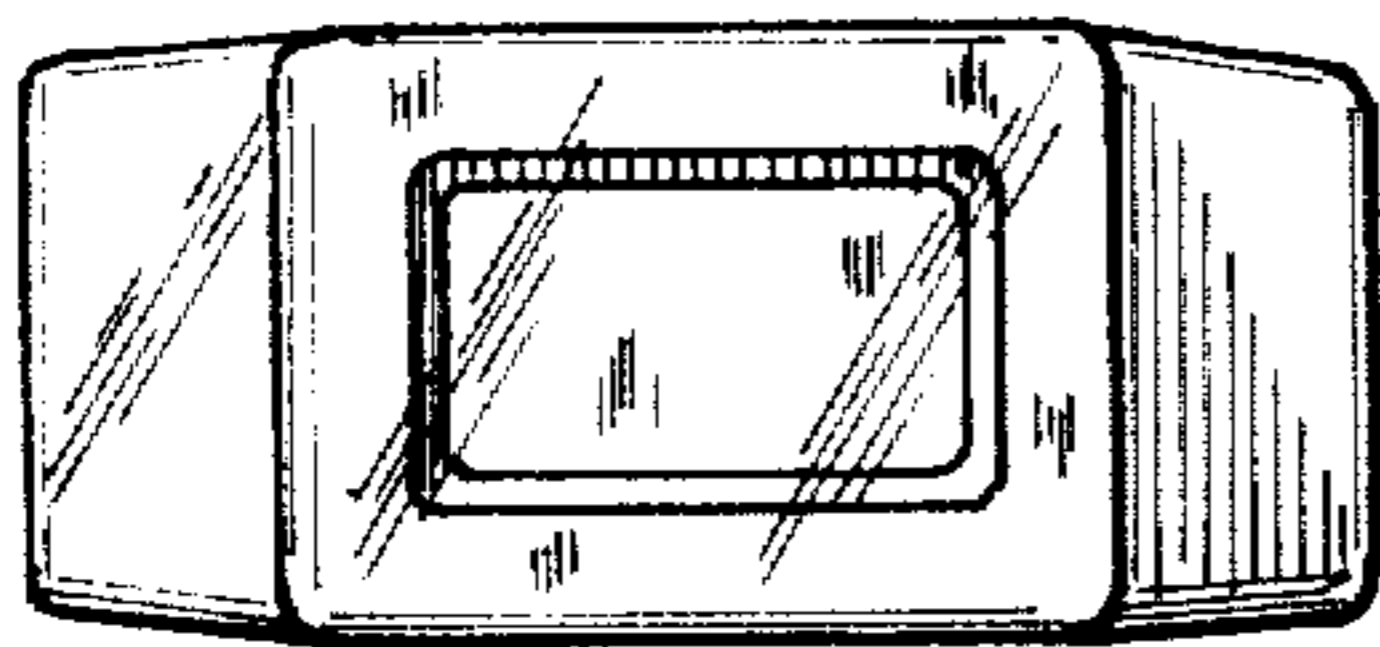


FIG. 3

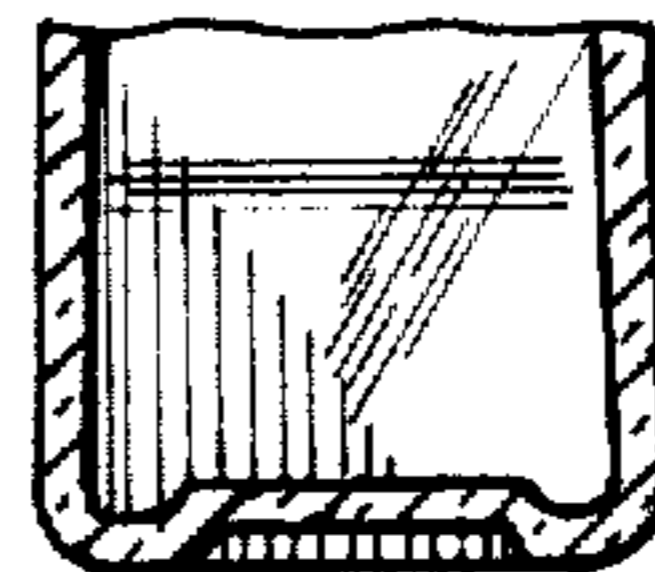


FIG. 5