

[54] DISPENSING CLOSURE FOR A CONTAINER

3,120,319 2/1964 Buddrus D7/77
3,307,746 3/1967 Edwards 222/565
3,351,249 11/1967 Stull 222/520
3,980,211 9/1976 Owens 222/562

[75] Inventor: Richard H. Seager, Mystic, Conn.

[73] Assignee: King Seeley Thermos Co., Prospect Heights, Ill.

[**] Term: 14 Years

Primary Examiner—Joel Stearman
Assistant Examiner—Carmen H. Vales
Attorney, Agent, or Firm—Harness, Dickey & Pierce

[21] Appl. No.: 113,530

[57] CLAIM

[22] Filed: Jan. 21, 1980

The ornamental design for a dispensing closure for a container, substantially as shown and described.

[51] Int. Cl. D09—07

[52] U.S. Cl. D9/450; D9/453

[58] Field of Search D9/434, 435, 436, 443, D9/447, 449, 450, 452, 403, 454, 440; D7/51, 77; 215/313; 220/253; 222/548, 562, 520, 521, 565

DESCRIPTION

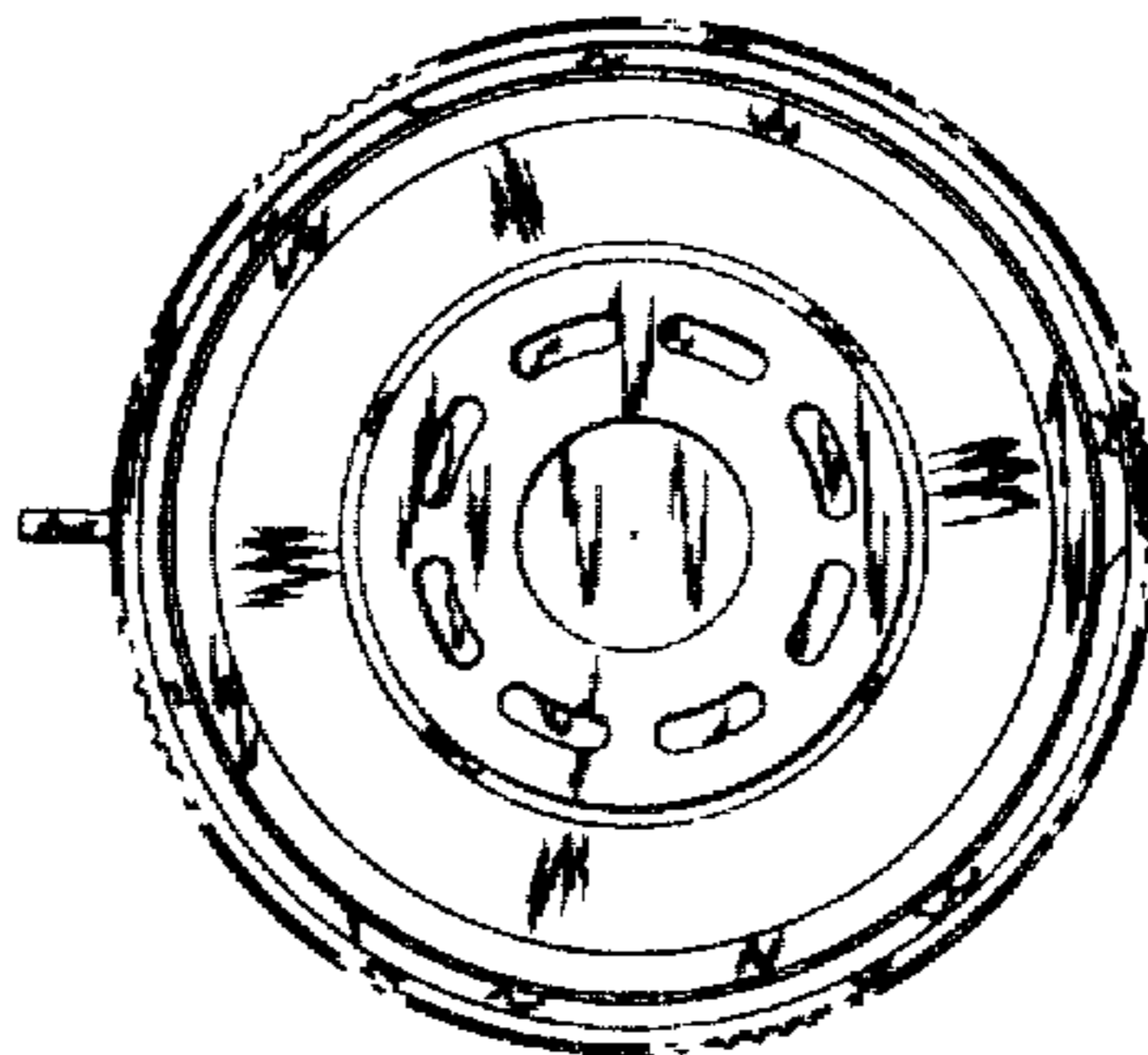
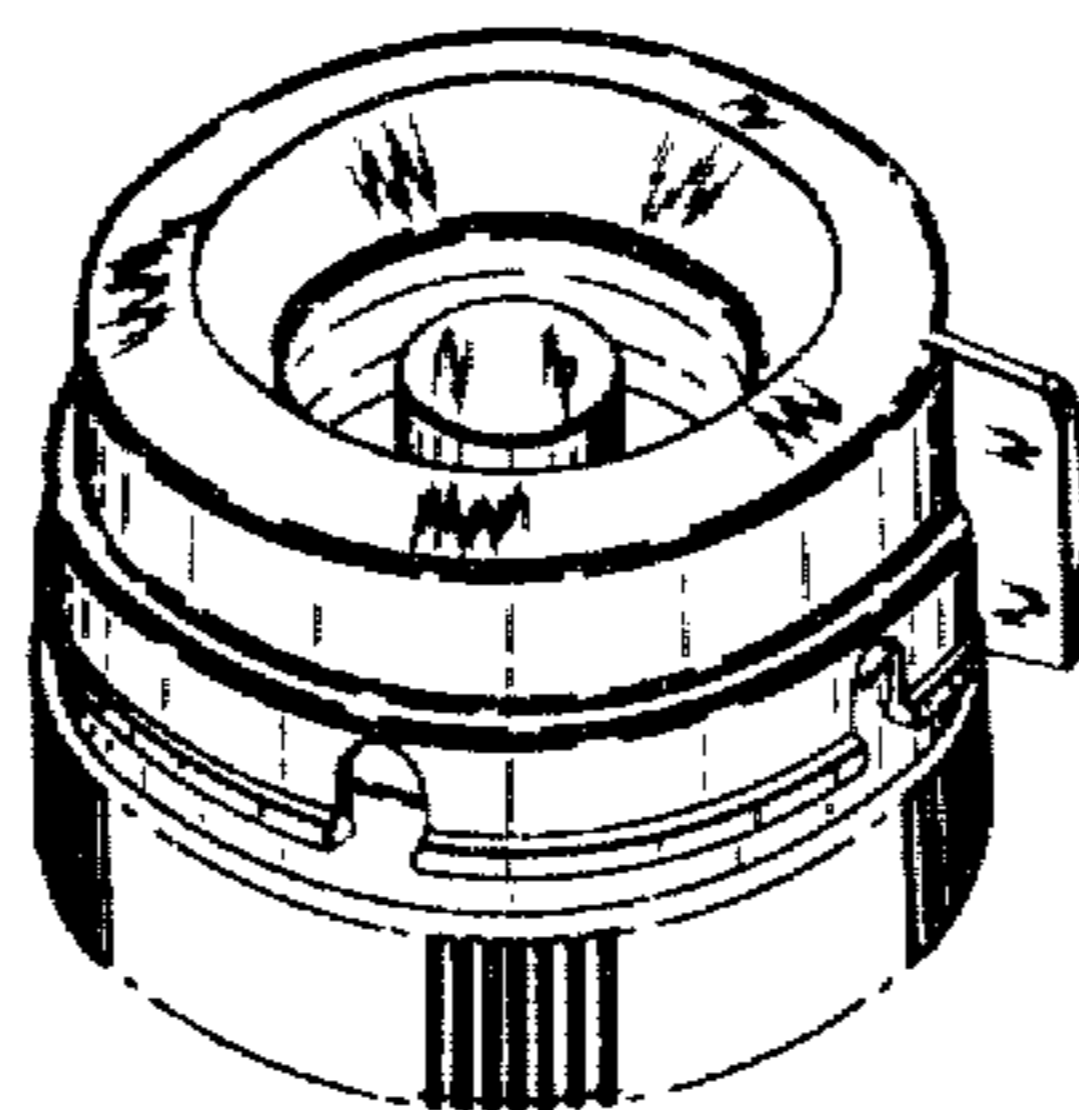
FIG. 1 is a perspective view of a dispensing closure for a container showing my new design; FIG. 2 is an enlarged top plan view thereof; FIG. 3 is a side elevational view thereof; FIG. 4 is a rear elevational view thereof; and FIG. 5 is a bottom plan view thereof.

The ridges of the bottom cylindrical section extend completely around the circumference. For the sake of simplicity of the illustration, portions of these ridges have been shown by dot-dash lines in the figures.

[56] References Cited

U.S. PATENT DOCUMENTS

D. 140,872 4/1945 Segerlund D9/440
2,060,622 11/1936 Jones 222/521



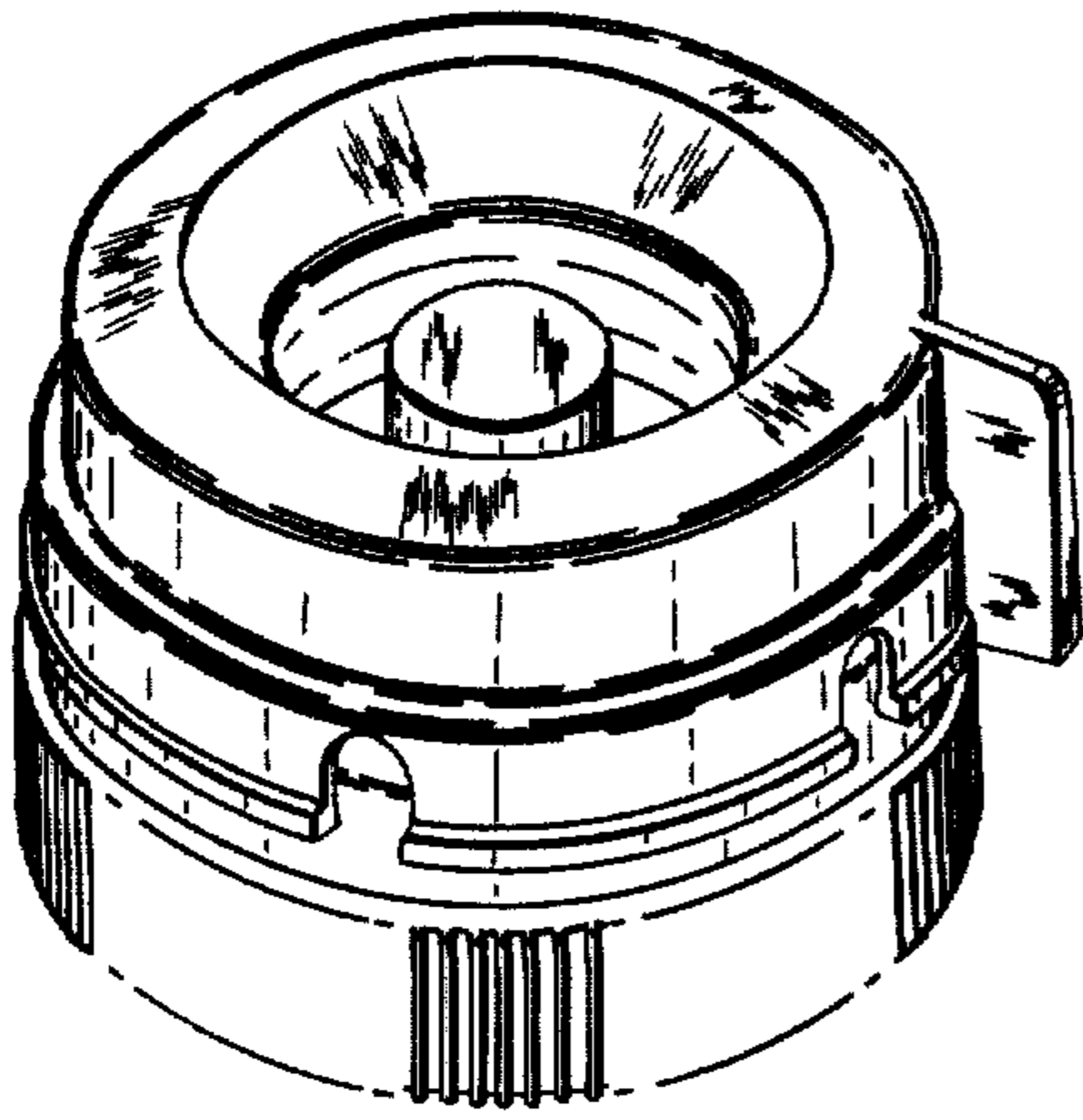


FIG. 1.

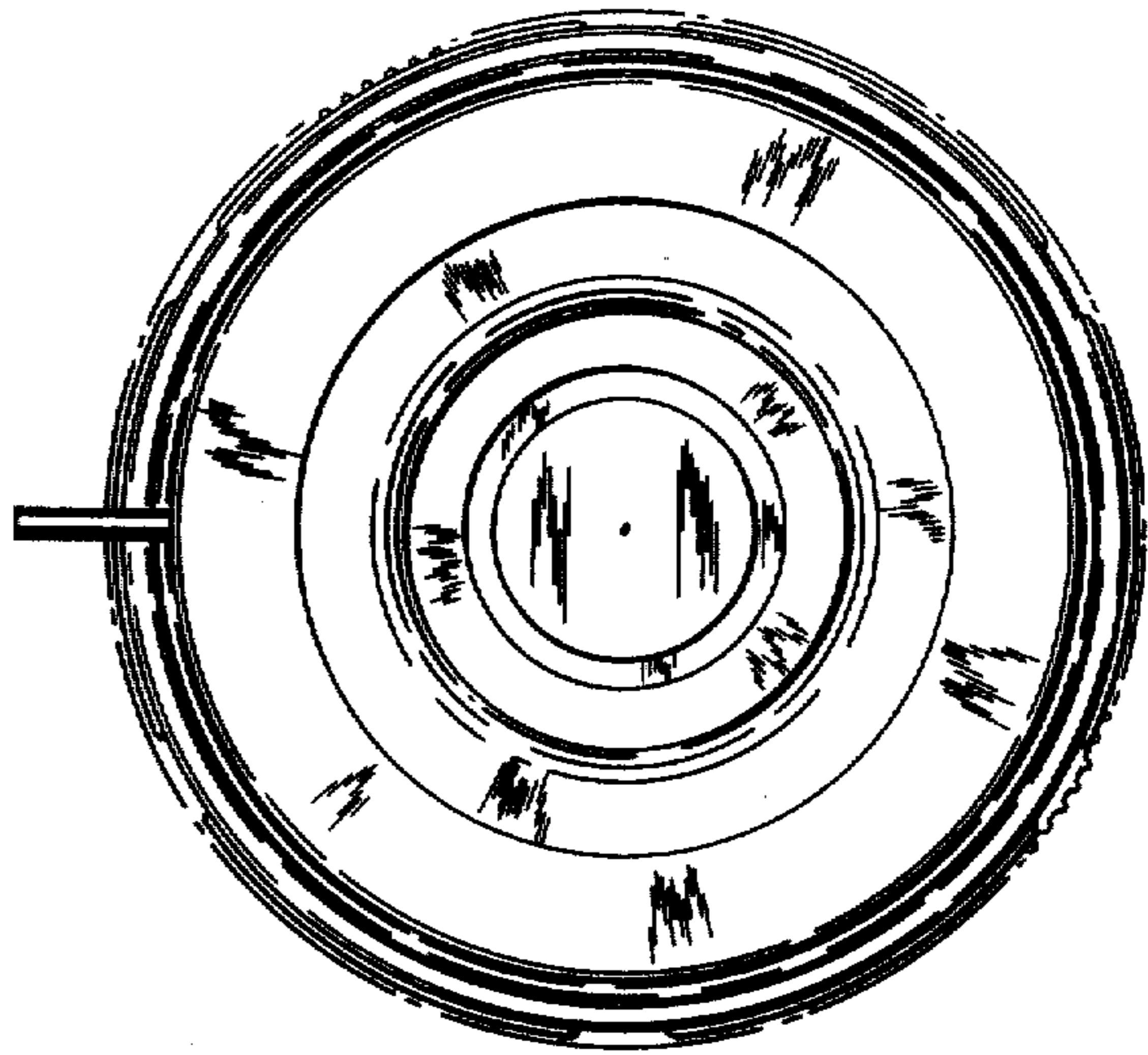


FIG. 2.

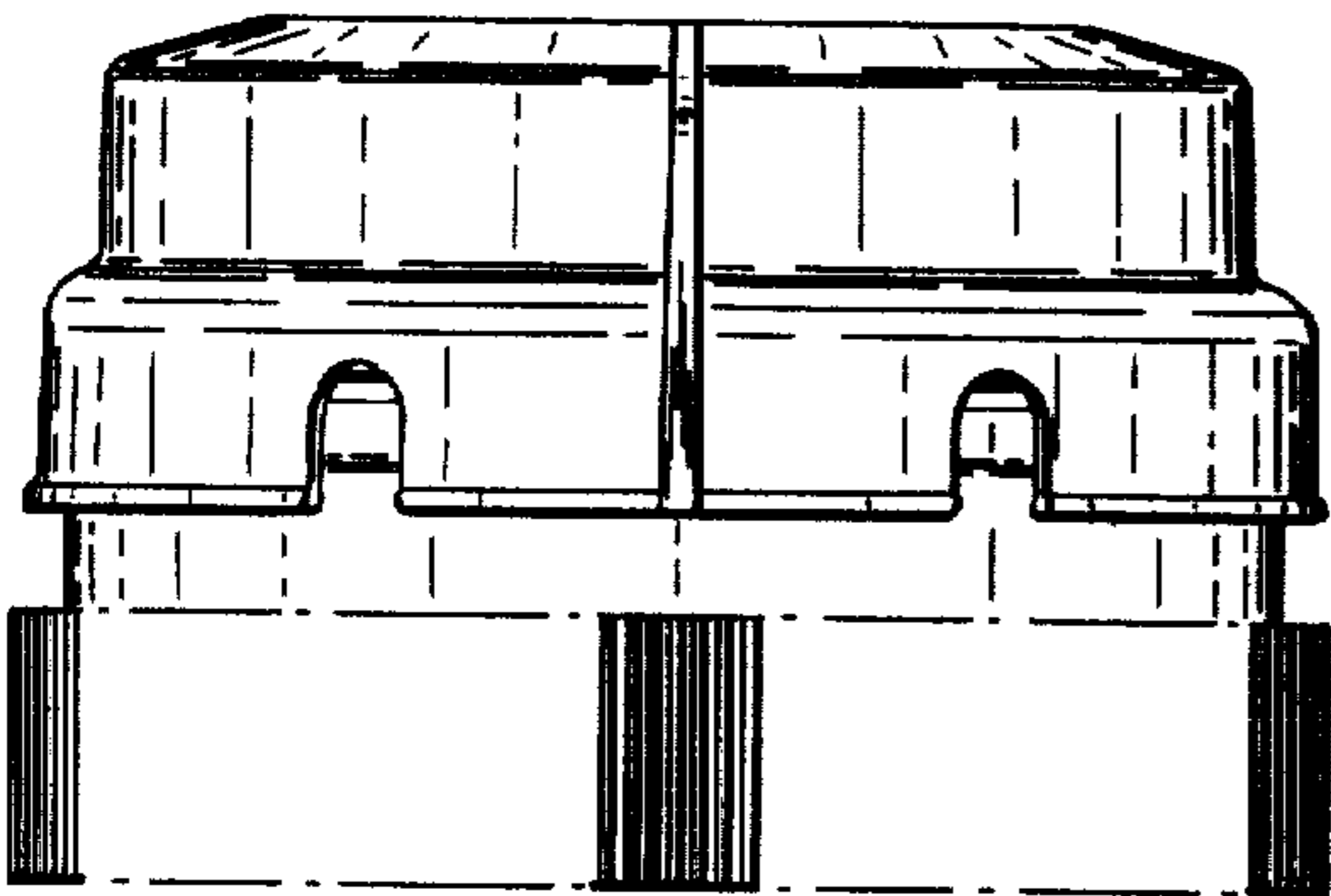


FIG. 3.

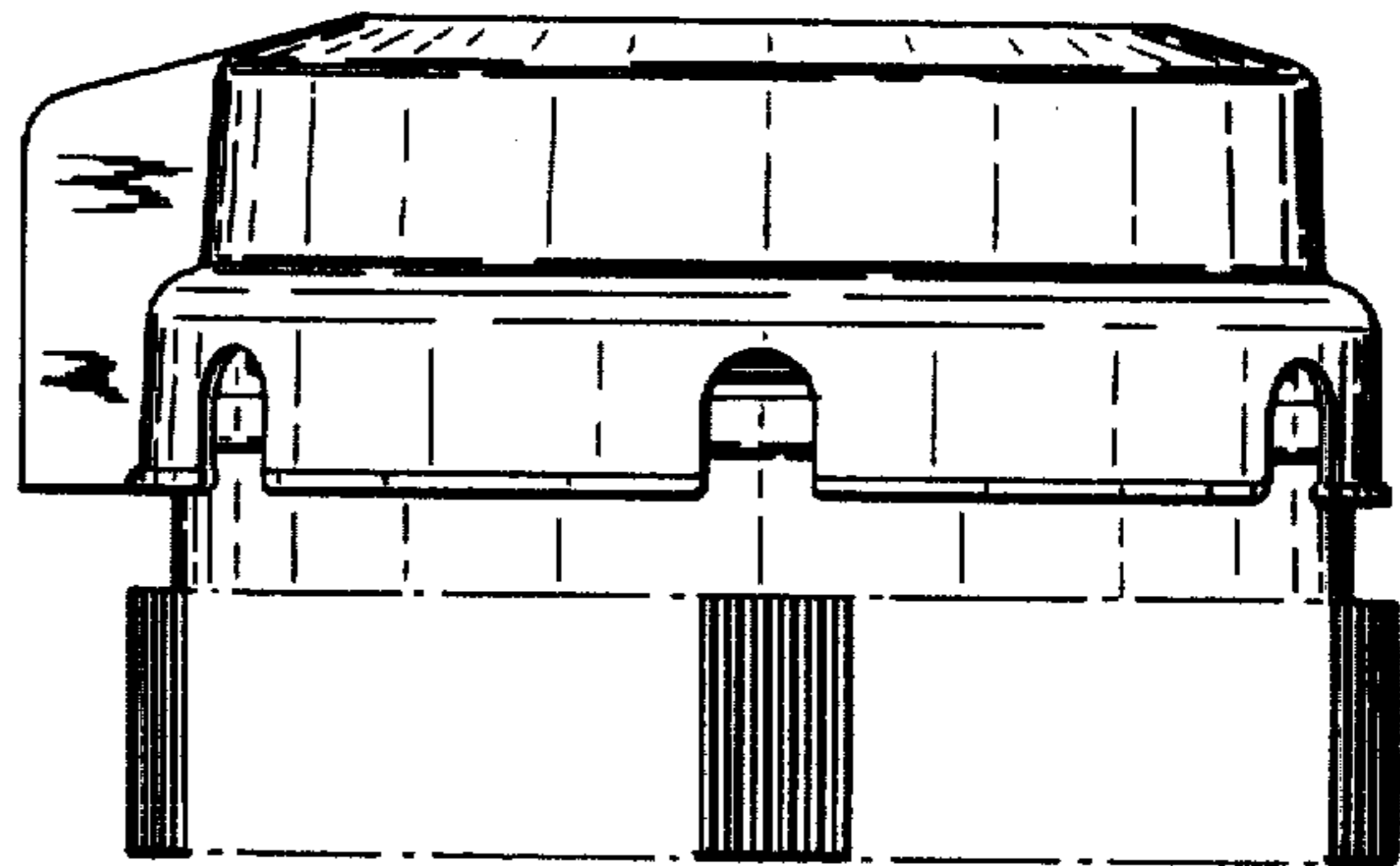


FIG. 4.

FIG. 5.

