

[54] COMBINED PACKAGING AND DISPLAY BOX

[75] Inventor: Simon C. Fireman, Quincy, Mass.
[73] Assignee: Aqua-Leisure Industries, Inc., Avon, Mass.
[**] Term: 14 Years
[21] Appl. No.: 44,356
[22] Filed: May 31, 1979

[51] Int. Cl. D9-03
[52] U.S. Cl. D9/418
[58] Field of Search D9/414, 418; 229/8, 229/6 R; 206/45.31

[56] References Cited

U.S. PATENT DOCUMENTS

- D. 119,173 2/1940 Nagle D9/418
- D. 157,080 1/1950 Opler D9/418
- D. 210,068 2/1968 King D9/418
- D. 252,258 7/1979 Roccaforte D9/418

OTHER PUBLICATIONS

Modern Packaging, Sep. 1976, p. 9, Item 3, Box.

Primary Examiner—Robert C. Spangler
Attorney, Agent, or Firm—James E. Mrose

[57] CLAIM

The ornamental design for a combined packaging and display box, substantially as shown.

DESCRIPTION

FIG. 1 is an isometric view of a combined packaging and display box showing my new design;
FIG. 2 is a front elevational view thereof;
FIG. 3 is a top view thereof;
FIG. 4 is a bottom view thereof;
FIG. 5 is a rear elevational view thereof;
FIG. 6 is a side elevational view thereof, looking toward the right side of the box as it is shown in FIG. 1; and
FIG. 7 is a side elevational view thereof, looking toward the left side of the box as it is shown in FIG. 1.

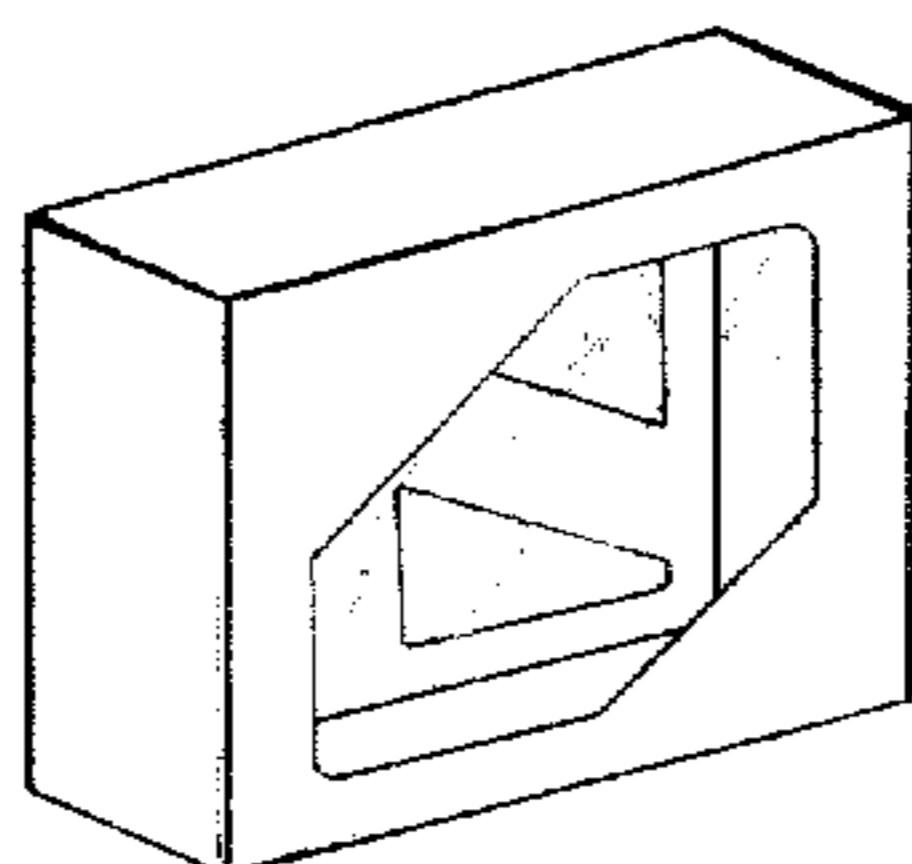


FIG. 1

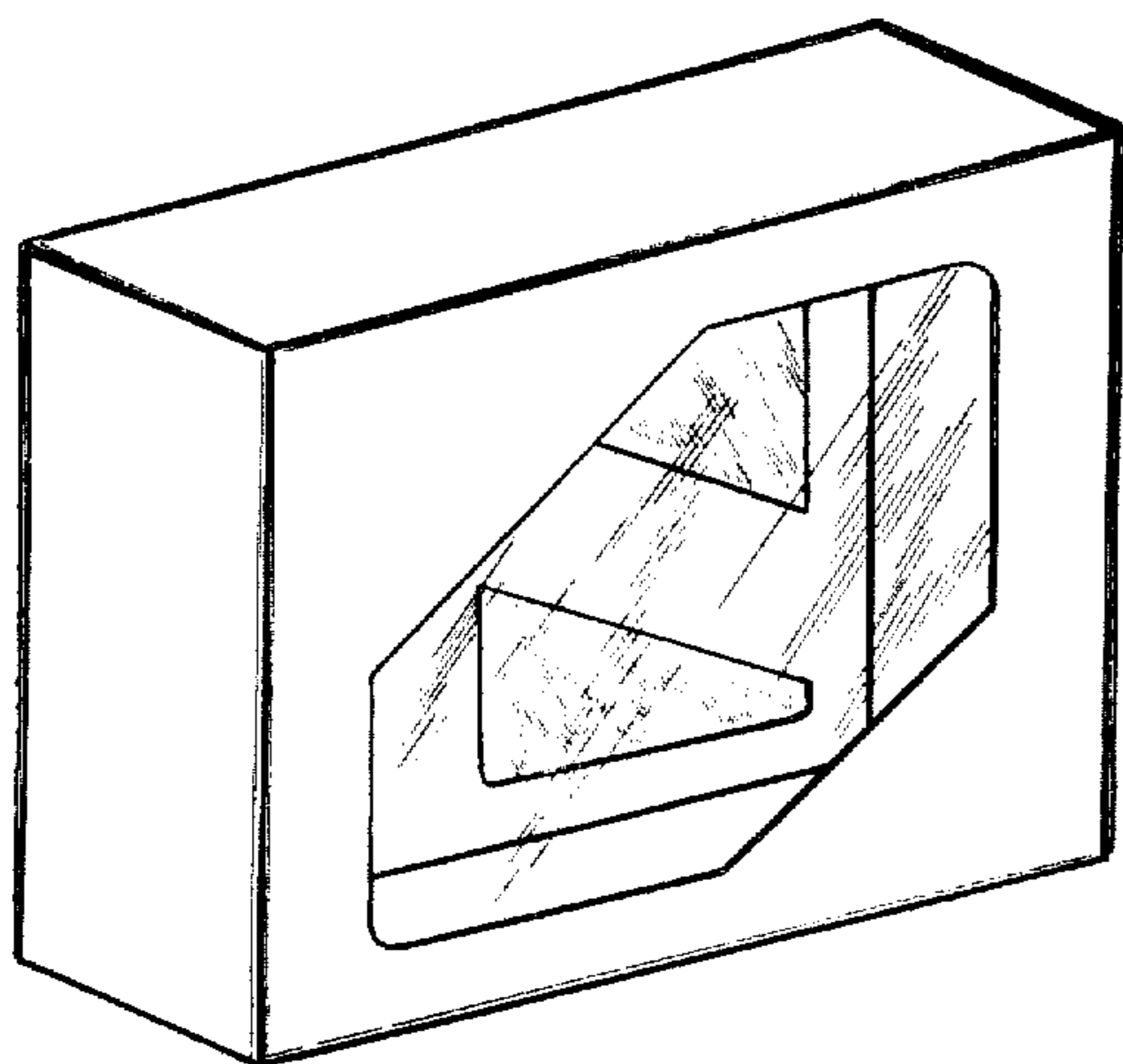


FIG. 2

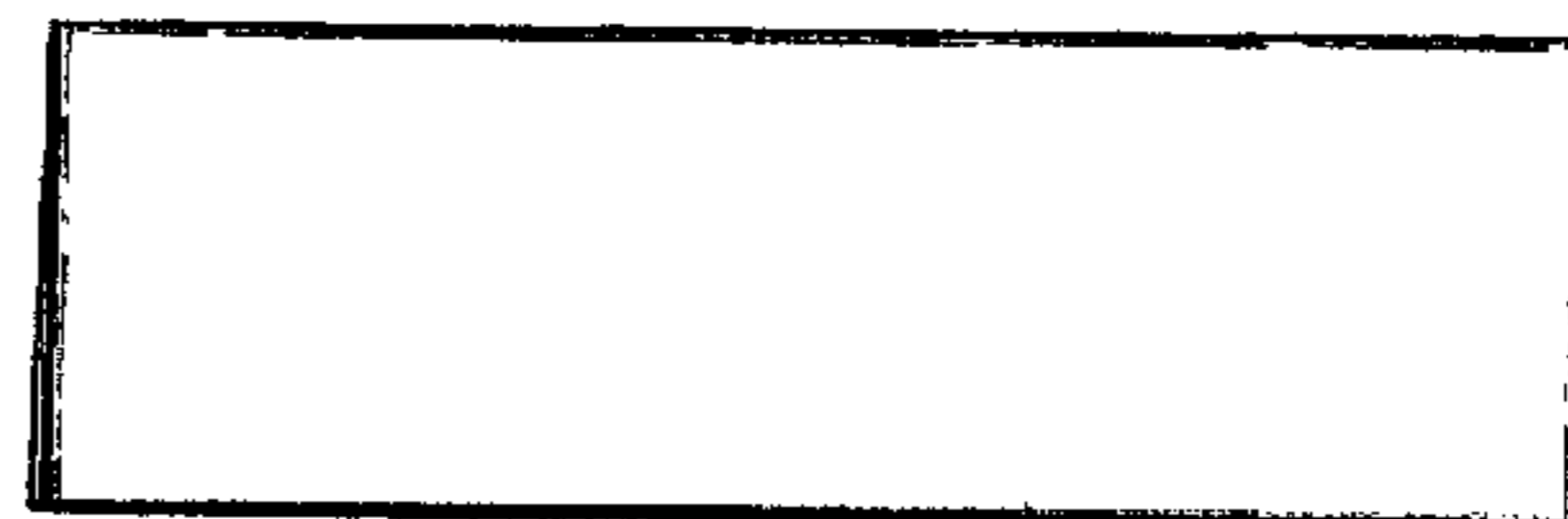
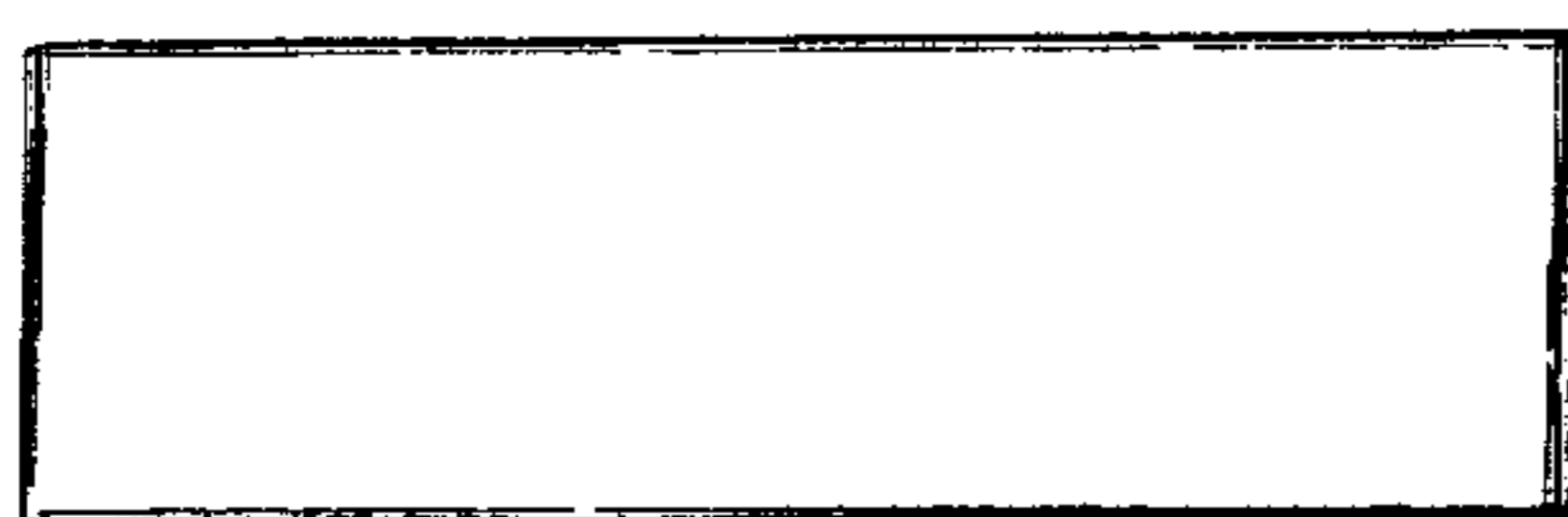
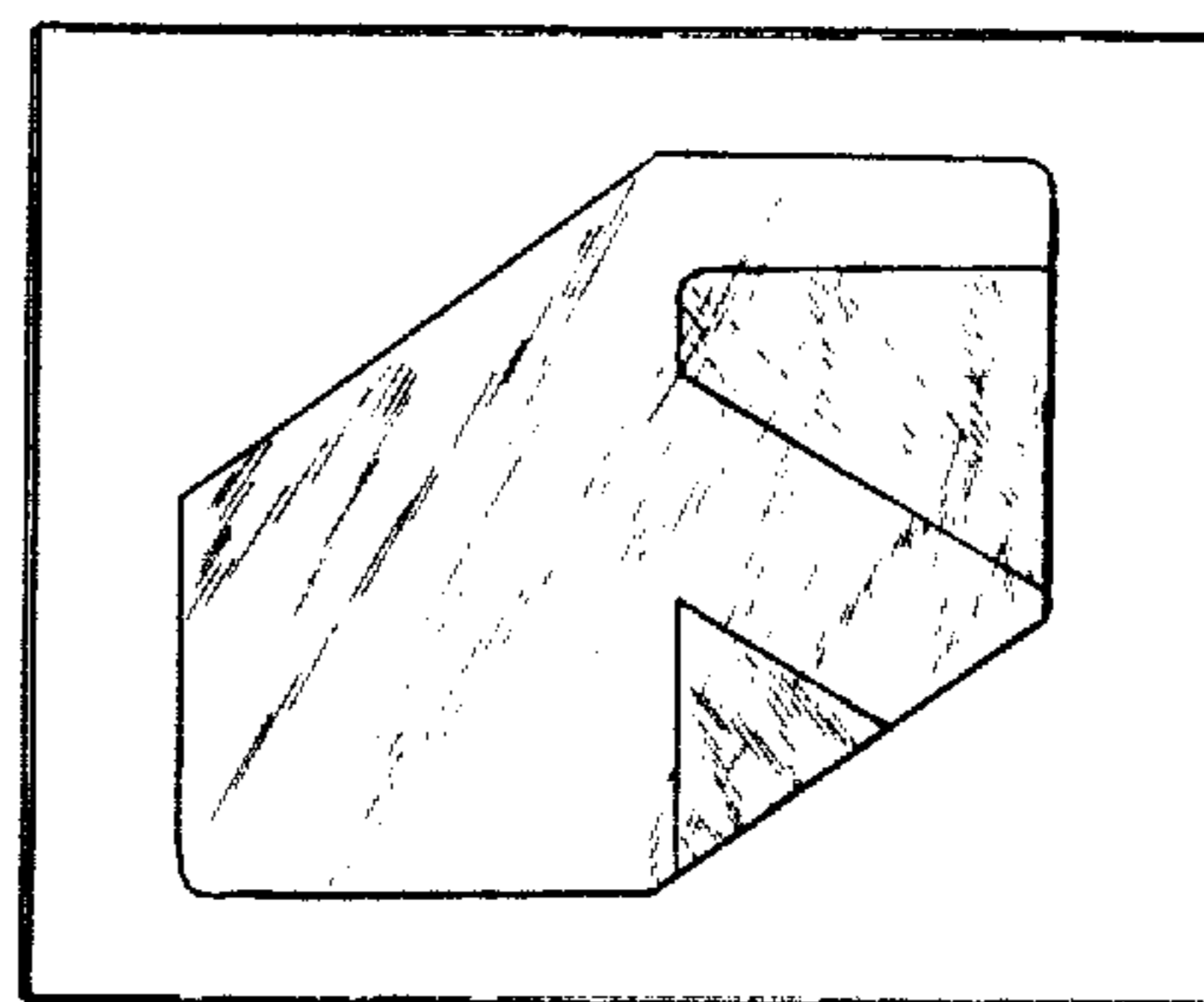


FIG. 3

FIG. 4

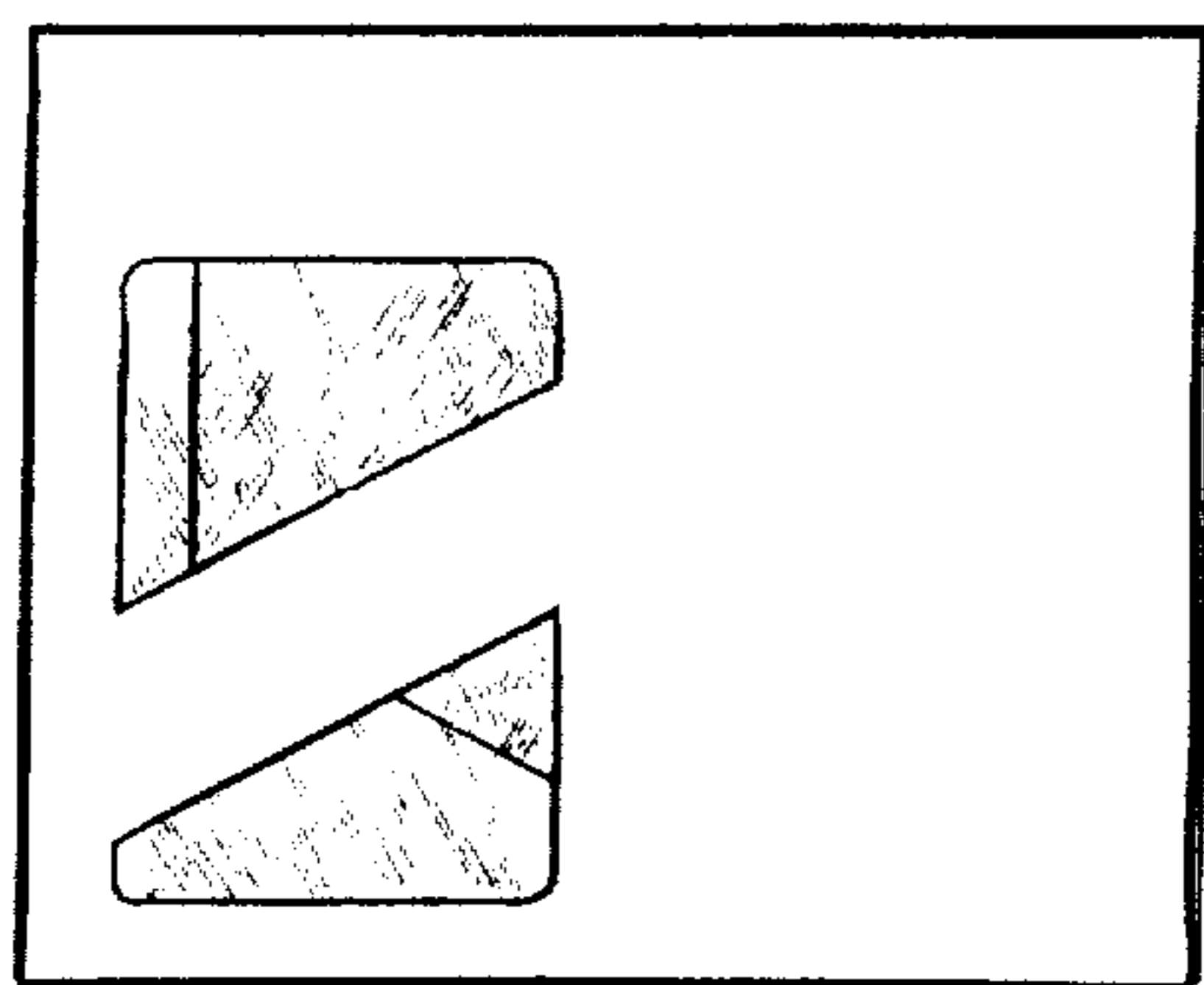


FIG. 6

FIG. 5

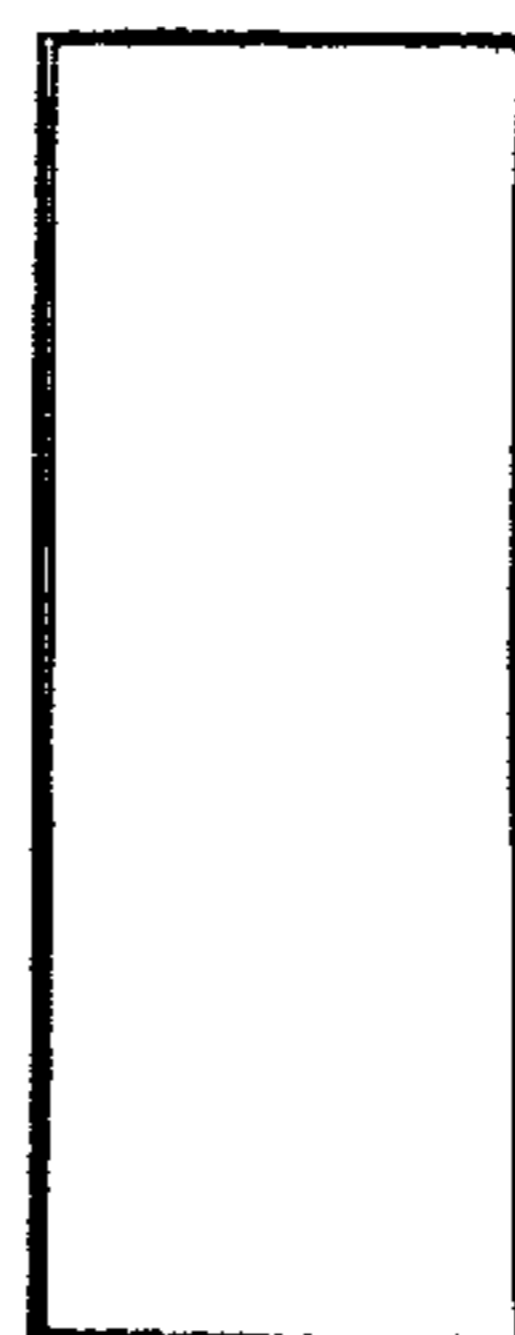


FIG. 7