

[54] **CASE FOR A MAGNETIC TAPE MAGAZINE**

[75] Inventor: **Keiichi Yoshizawa, Tokyo, Japan**

[73] Assignee: **TDK Electronics Co., Ltd., Tokyo, Japan**

[\*\*] Term: **14 Years**

[21] Appl. No.: **974,134**

[22] Filed: **Dec. 27, 1978**

[30] **Foreign Application Priority Data**

Jun. 30, 1978 [JP] Japan ..... 53-27796

[51] Int. Cl. .... **D9—03**

[52] U.S. Cl. .... **D9/432; D3/35**

[58] Field of Search ..... **D3/35; D9/222, 223, D9/432; 229/9; 206/387; D14/6, 11**

[56] **References Cited**

**U.S. PATENT DOCUMENTS**

D. 255,874 7/1980 Fujimoto et al. .... D9/432

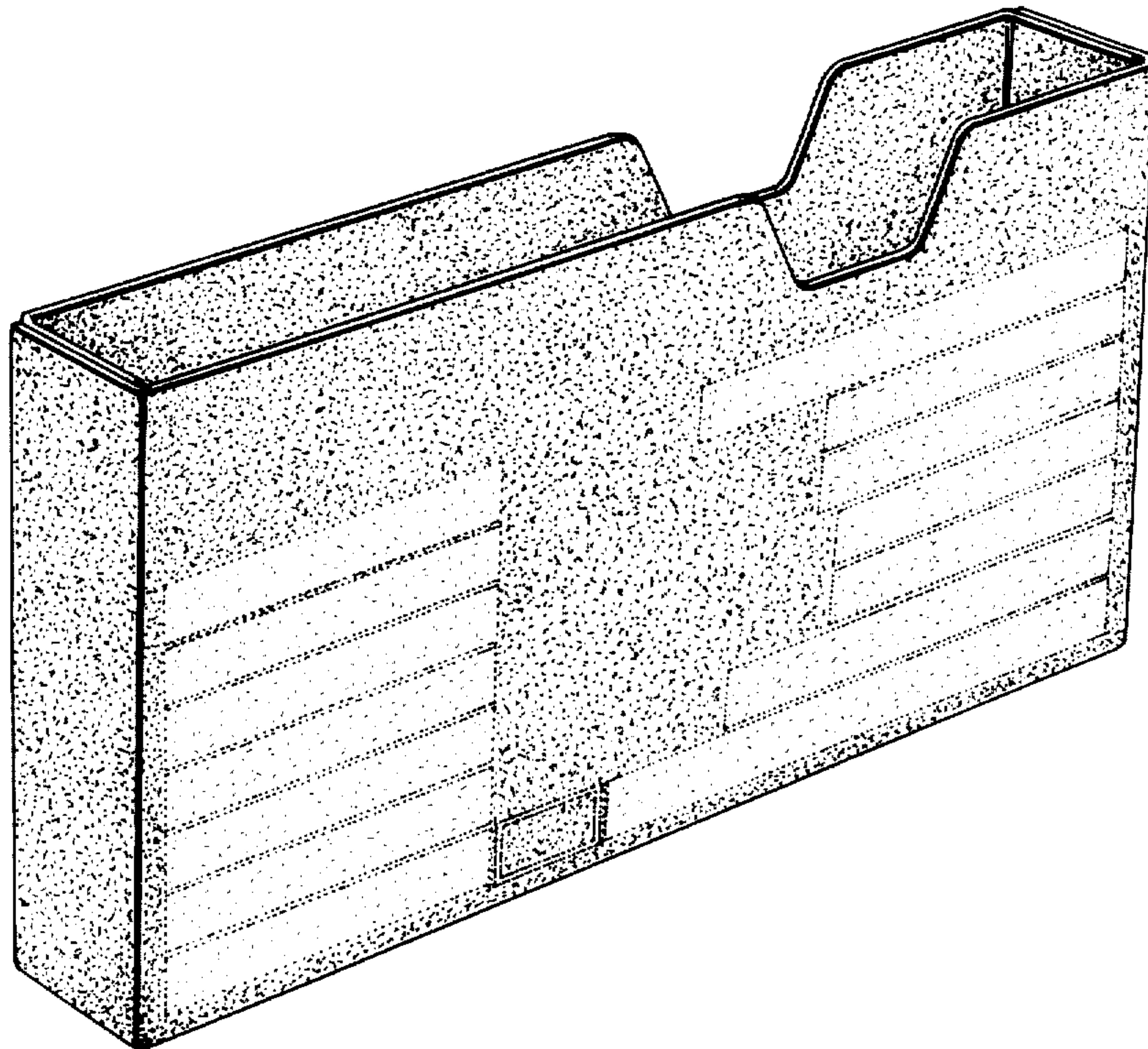
*Primary Examiner*—George P. Word  
*Attorney, Agent, or Firm*—Stevens, Davis, Miller & Mosher

[57] **CLAIM**

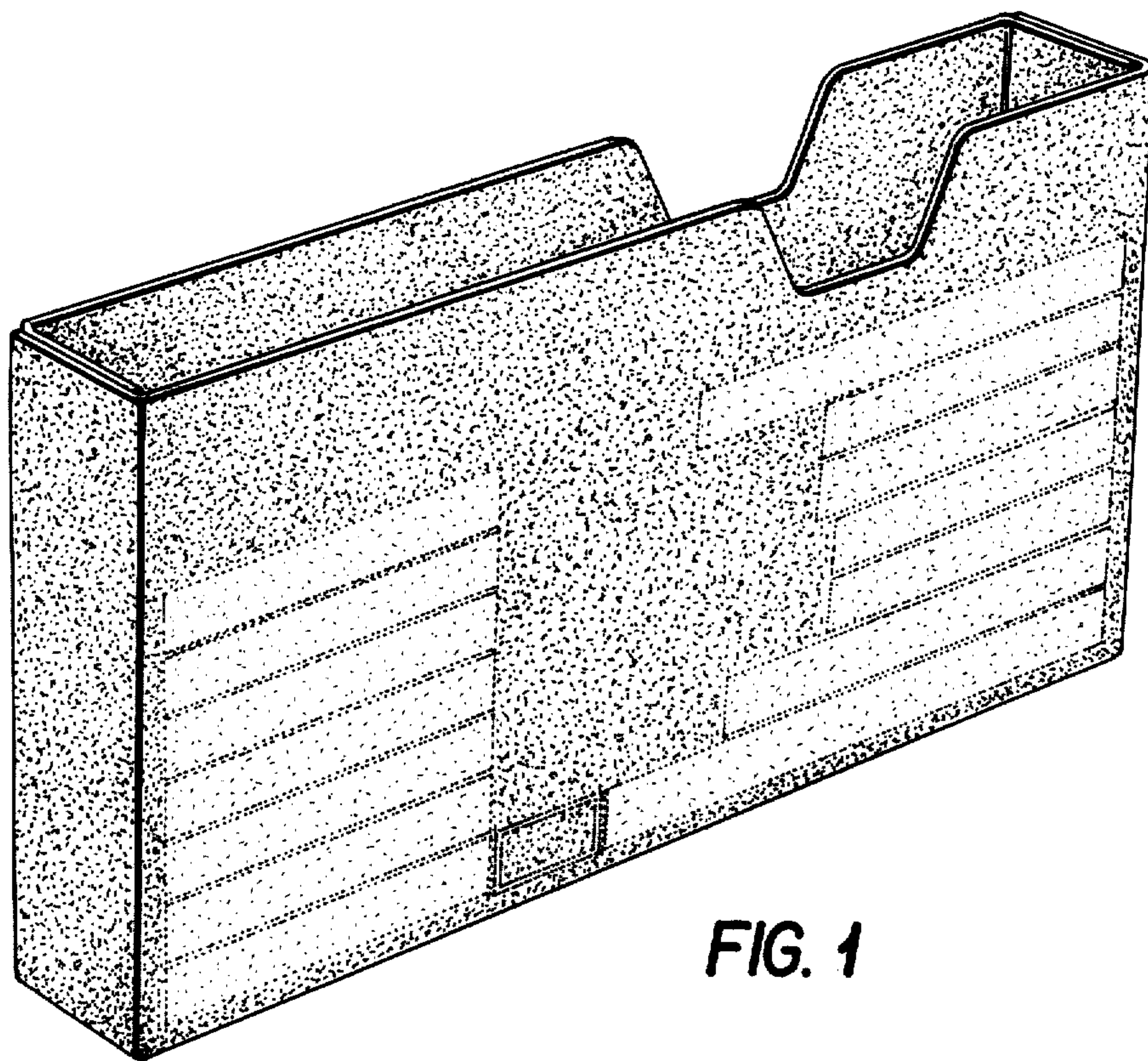
The ornamental design for a case for a magnetic tape magazine, substantially as is shown.

**DESCRIPTION**

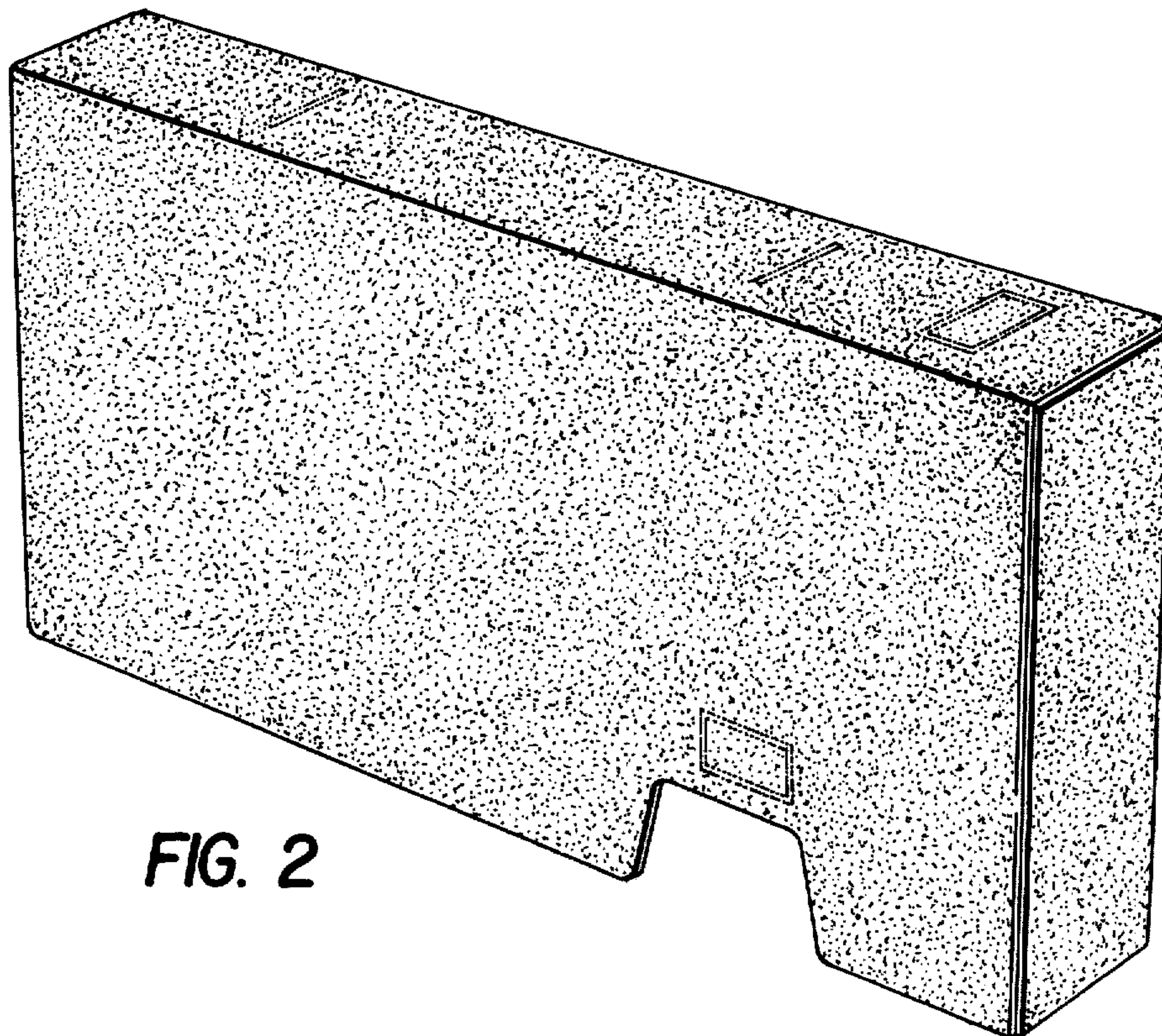
FIG. 1 is a perspective front view of a case for a magnetic tape magazine showing my design; FIG. 2 is an inverted rear perspective view thereof. The characteristic feature of this design resides in a plurality of longitudinally extending bars on one surface of the case, the bars being arranged in two columns, one column having bars all of equal length, the other having bars, some of which are of unequal length.







**FIG. 1**



**FIG. 2**