

[54] UNIVERSAL MOUNTING BRACKET

[56] References Cited

[76] Inventors: Eugene T. McKinnon, 16536 Chattanooga Pl., Pacific Palisades, Calif. 90272; Alvin S. Drutz, 11613 Clover Ave., Los Angeles, Calif. 90066

U.S. PATENT DOCUMENTS

1,551,719	9/1925	Williams	248/230 X
1,883,834	10/1932	Turner	248/300 X
2,376,966	5/1945	Ingerman	403/406 X
2,607,553	8/1952	Garrett	248/476
2,886,277	5/1959	Boham et al.	248/229 X
2,926,350	2/1960	Saul, Sr.	403/176 X

[**] Term: 14 Years

Primary Examiner—Peter Feldman
Attorney, Agent, or Firm—Donald M. Cislo

[21] Appl. No.: 926,549

[57] CLAIM

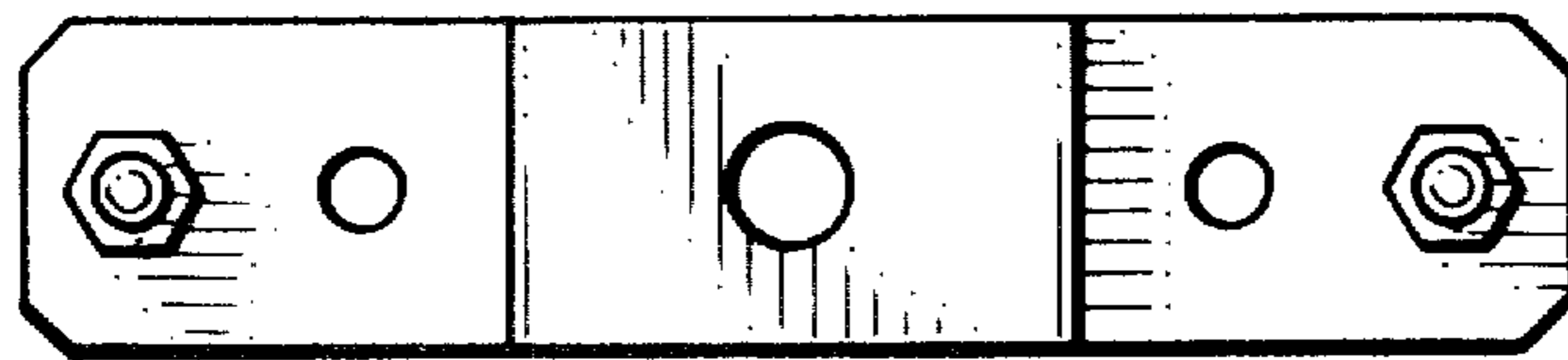
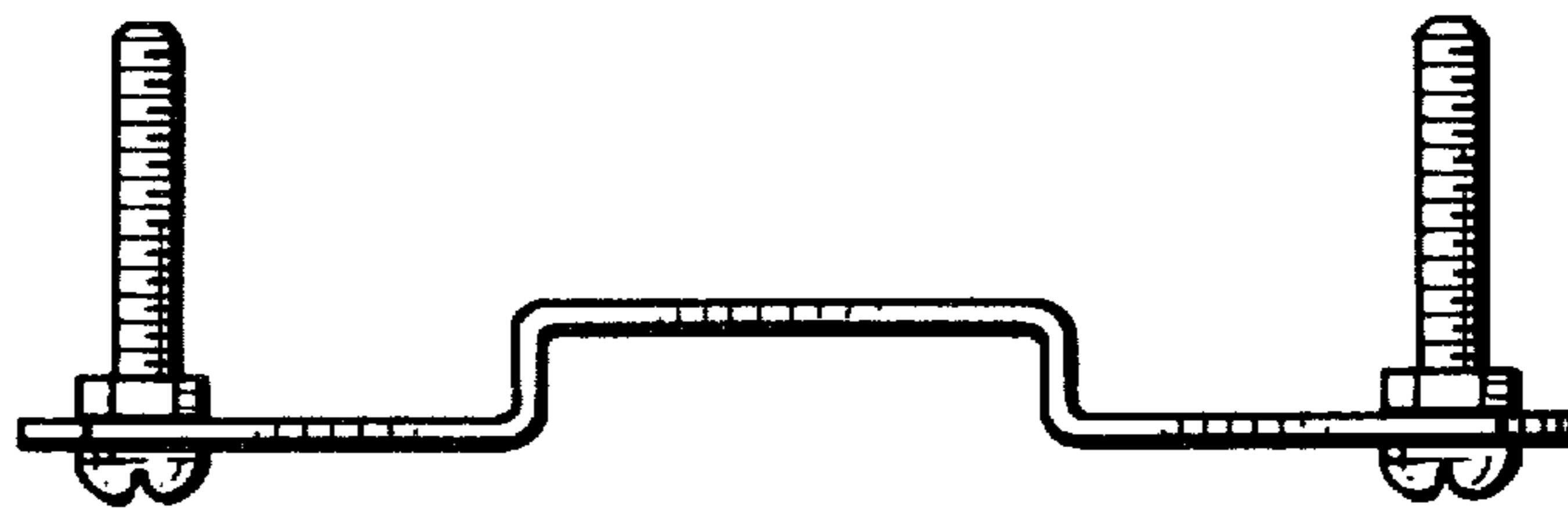
The ornamental design for universal mounting bracket, as shown and described.

[22] Filed: Jul. 20, 1978

DESCRIPTION

[51] Int. Cl. D8—08
[52] U.S. Cl. D8/394
[58] Field of Search D8/354, 355, 363, 387,
D8/394, 396, 366; 248/300, 74 R, 230, 476, 475
R, DIG. 6; 403/176, 406

FIG. 1 is a perspective view of a universal mounting bracket showing our new design; FIG. 2 is a front view thereof; FIG. 3 is a side view thereof, the opposite side being a mirror image of the side shown; FIG. 4 is a top view thereof; and FIG. 5 is a rear view thereof.



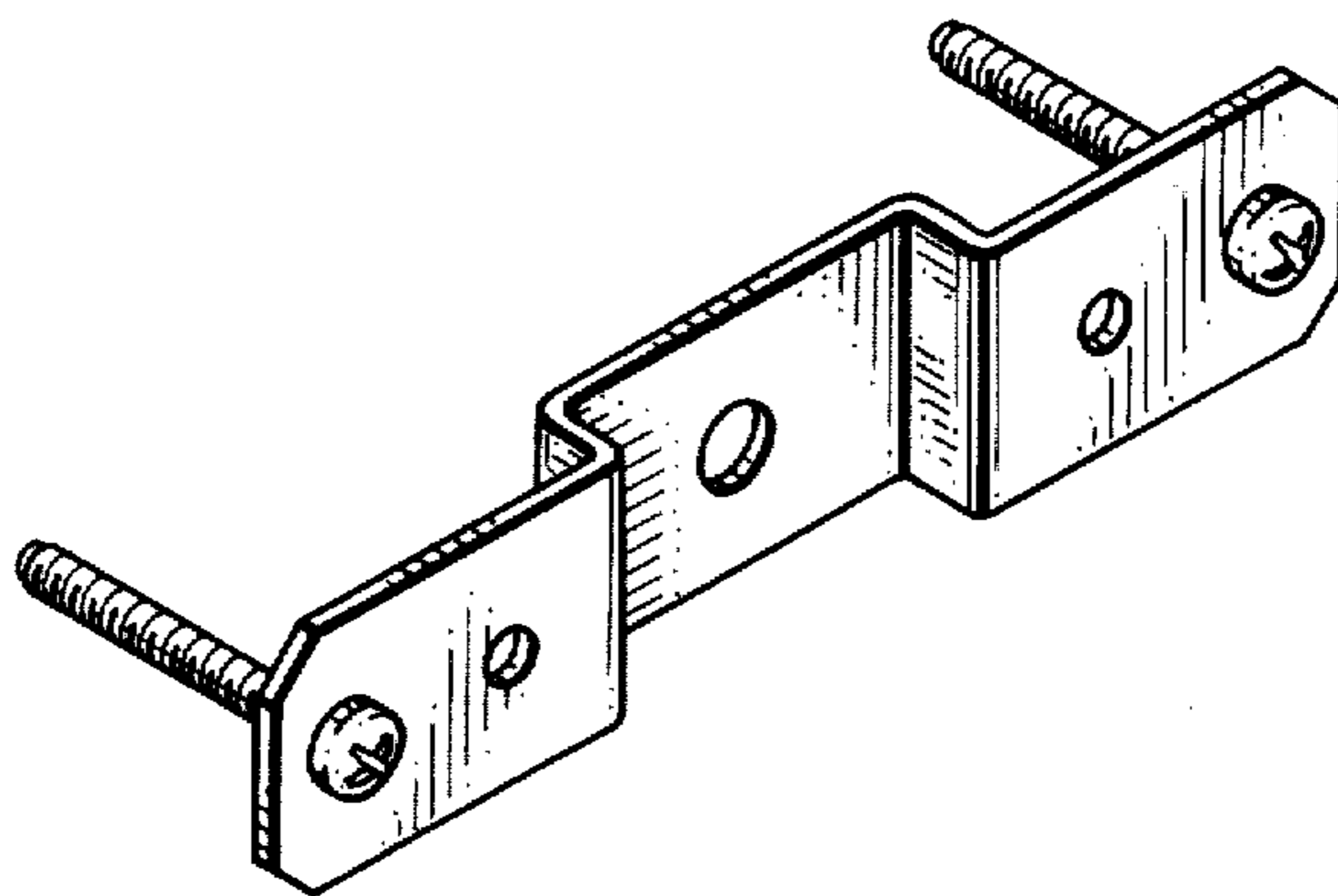


Fig. 1.



Fig. 2.

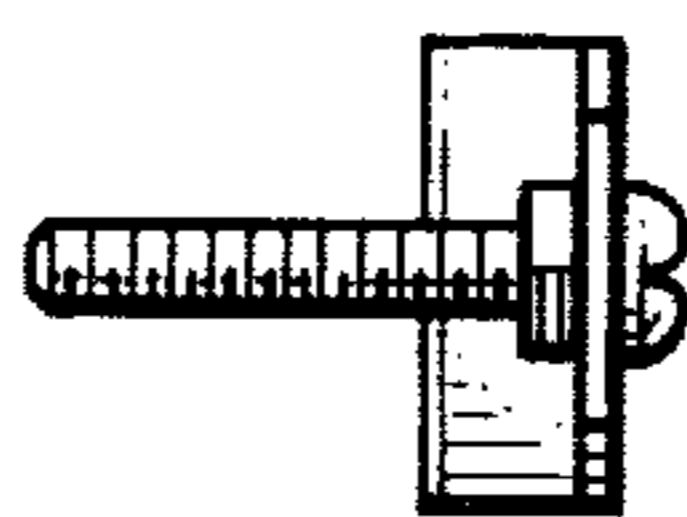


Fig. 3.

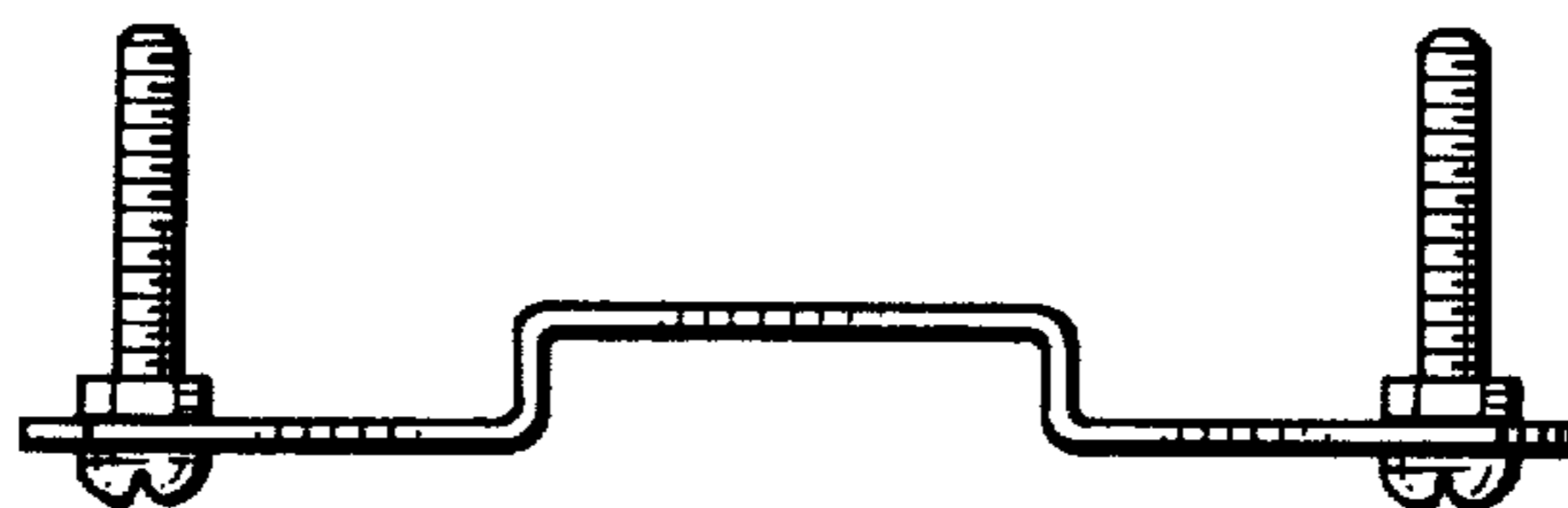


Fig. 4.

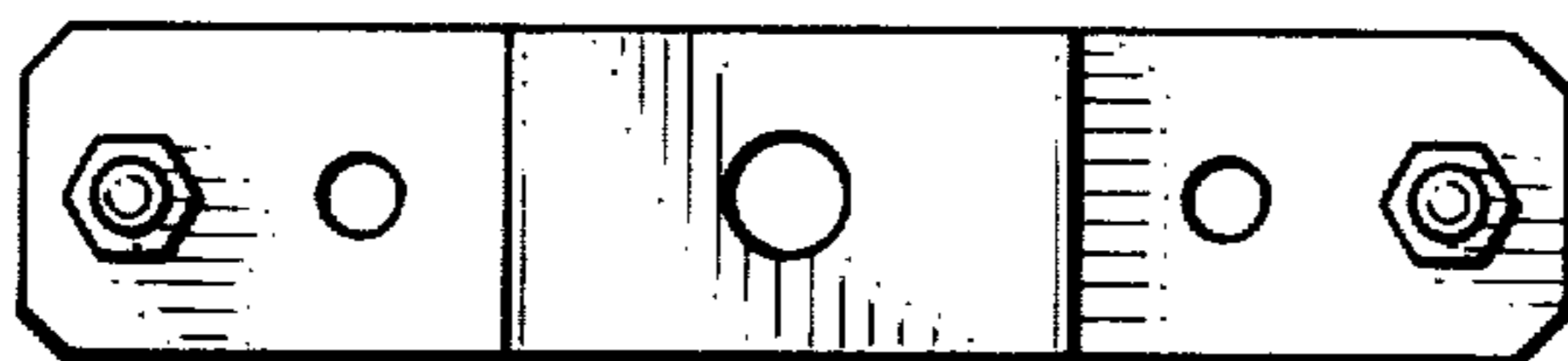


Fig. 5.