

[54] **COMBINED COASTER AND ASH TRAY HOLDER**

[76] Inventors: **Lawrence G. Butler**, 13221 Cordary St., Hawthorne; **Dorthea Means**, 741 Eucalypus St., Apt. 1, Inglewood, both of Calif.

[**] Term: **14 Years**

[21] Appl. No.: **69,288**

[22] Filed: **Aug. 24, 1979**

[51] Int. Cl. **D07-06**

[52] U.S. Cl. **D7/71; D7/130; D27/10; D30/13**

[58] Field of Search **D27/21, 10; 211/74; D7/70, 71, 45, 38, 21, 130; D30/8, 16, 13; D99/49, 50, 44; D6/199**

[56] **References Cited**

U.S. PATENT DOCUMENTS

D. 92,329 5/1934 Weinhardt et al. **D7/130 X**

D. 185,809 8/1959 Myers et al. **D7/71**

D. 252,310 7/1979 Shannon **D7/70**

1,739,895 12/1929 Gamble **211/74**

3,338,628 8/1967 Evans **D27/21 X**

3,682,323 8/1972 Bergquist et al. **211/74**

3,893,569 7/1975 Hoch **211/74**

FOREIGN PATENT DOCUMENTS

209238 1/1924 United Kingdom **D7/71**

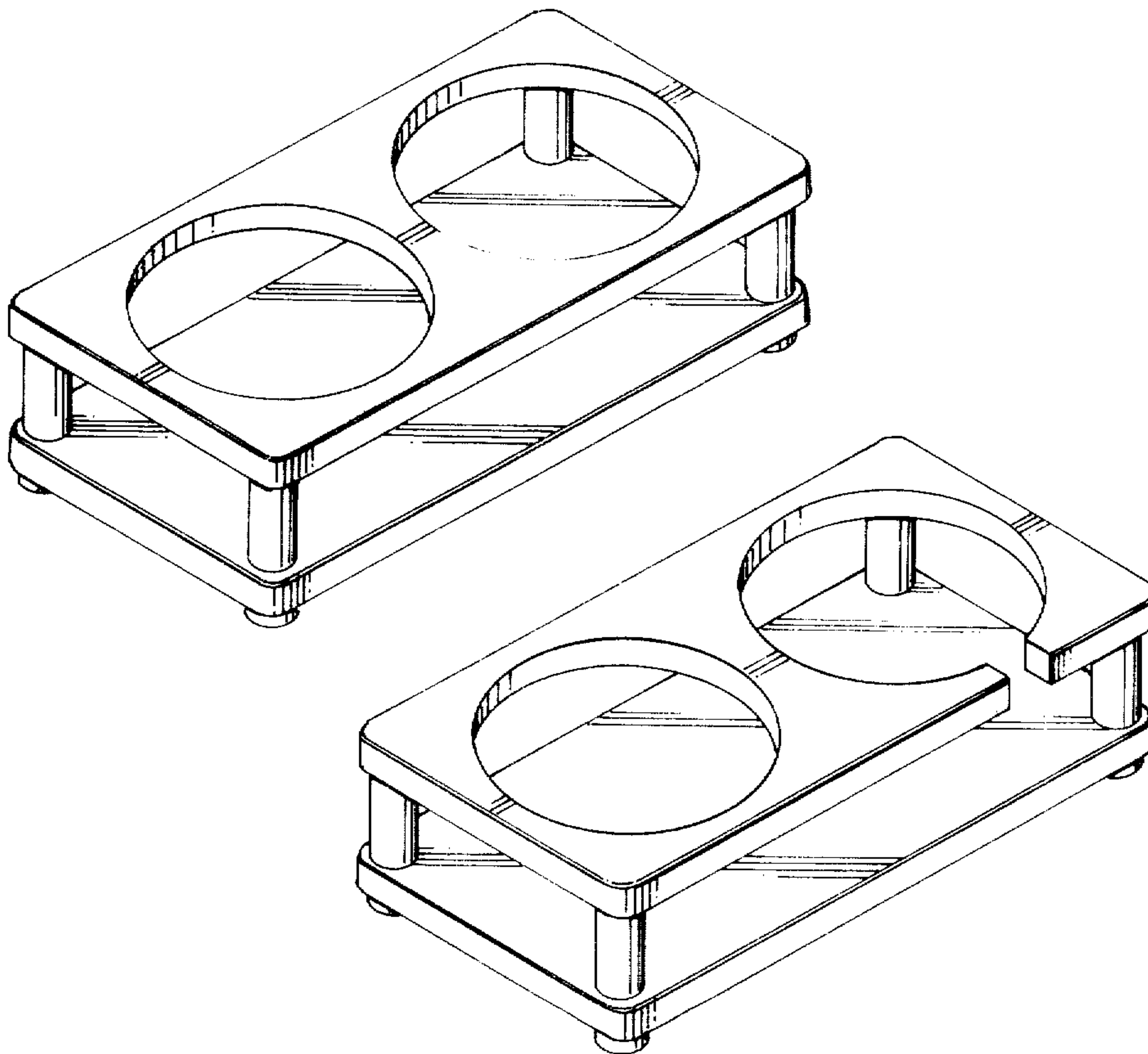
Primary Examiner—Winifred E. Herrmann
Attorney, Agent, or Firm—Don H. Haycock

[57] **CLAIM**

The ornamental design for a combined coaster and ash tray holder, as shown and described.

DESCRIPTION

FIG. 1 is a top front perspective view of a combined coaster and ash tray holder showing our new design; FIG. 2 is a top plan view thereof; FIG. 3 is a rear elevational view thereof; FIG. 4 is an end elevational view thereof; FIG. 5 is a bottom plan view thereof on a reduced scale; and FIG. 6 is a modification of our design of FIGS. 1-5 wherein a cut-out or slotted opening has been provided in the upper plate.



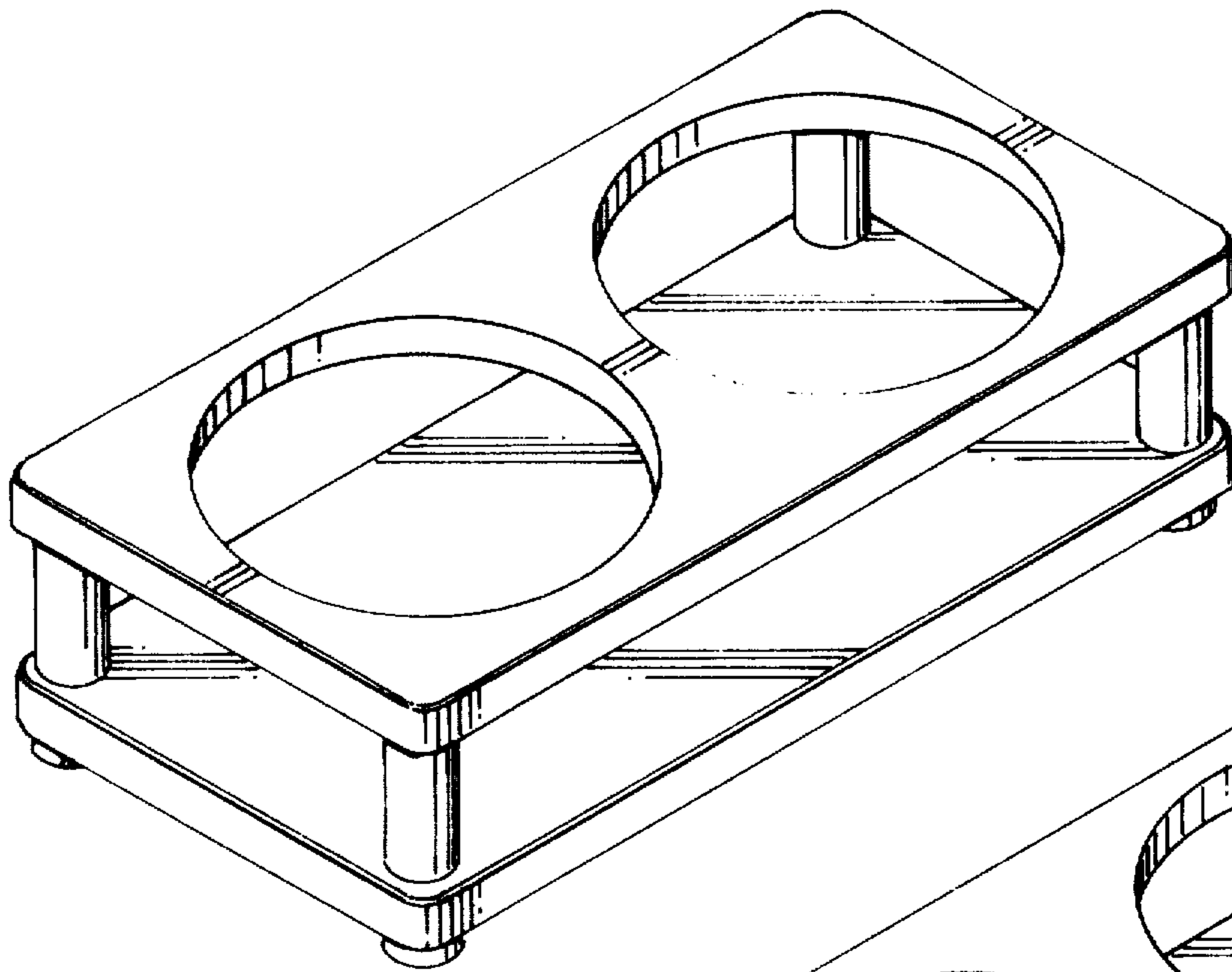


Fig. 1

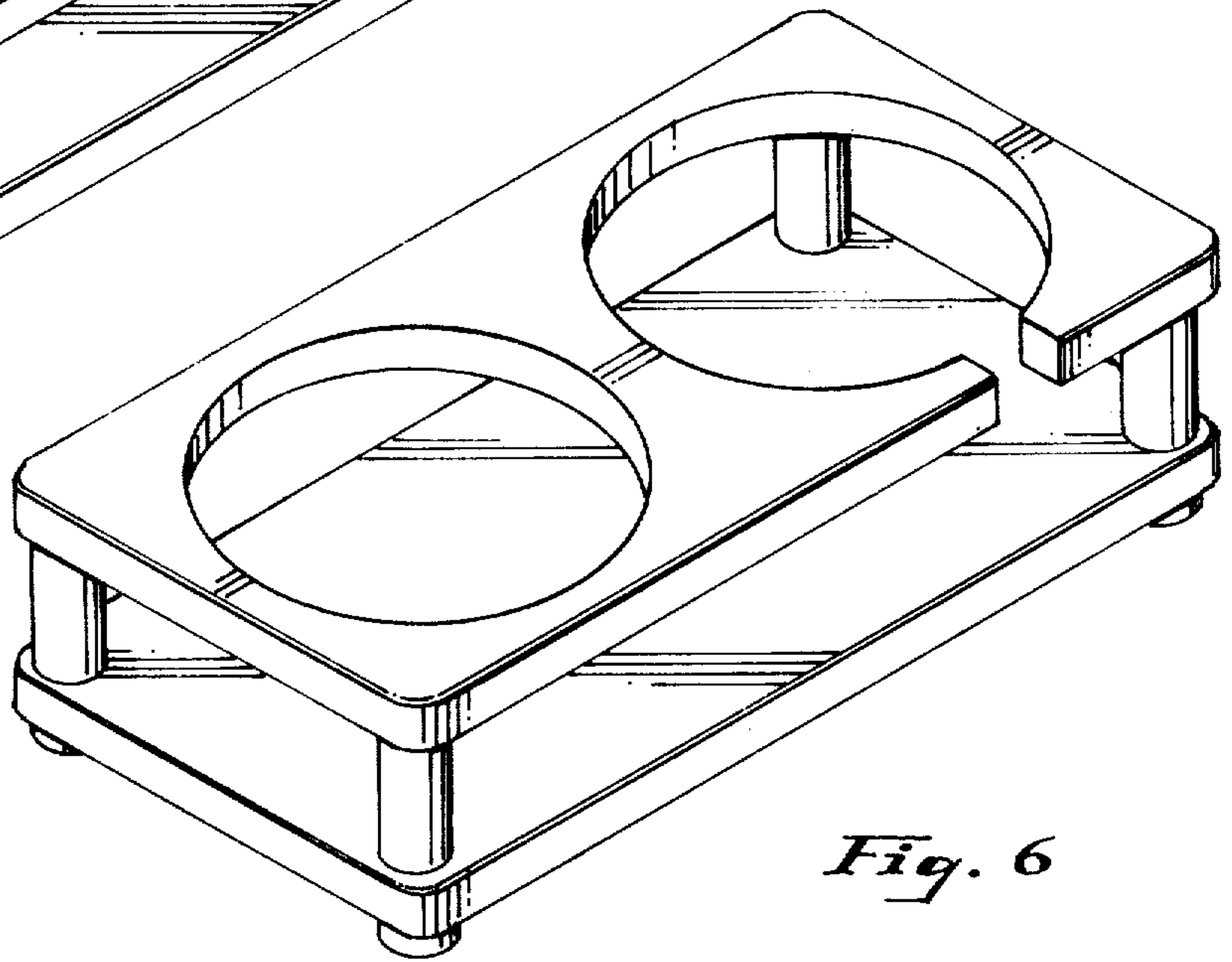


Fig. 6

Fig. 2

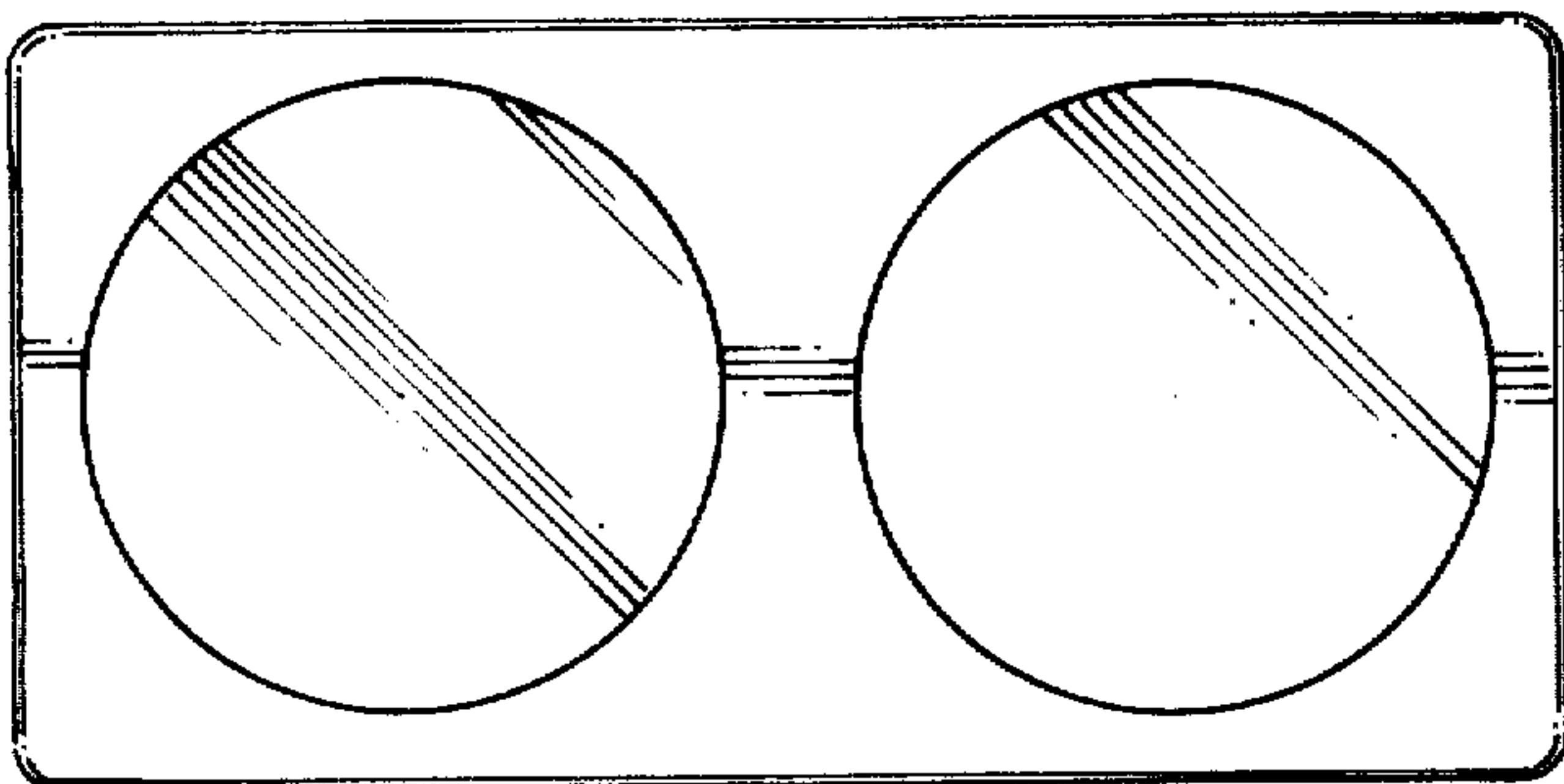


Fig. 3

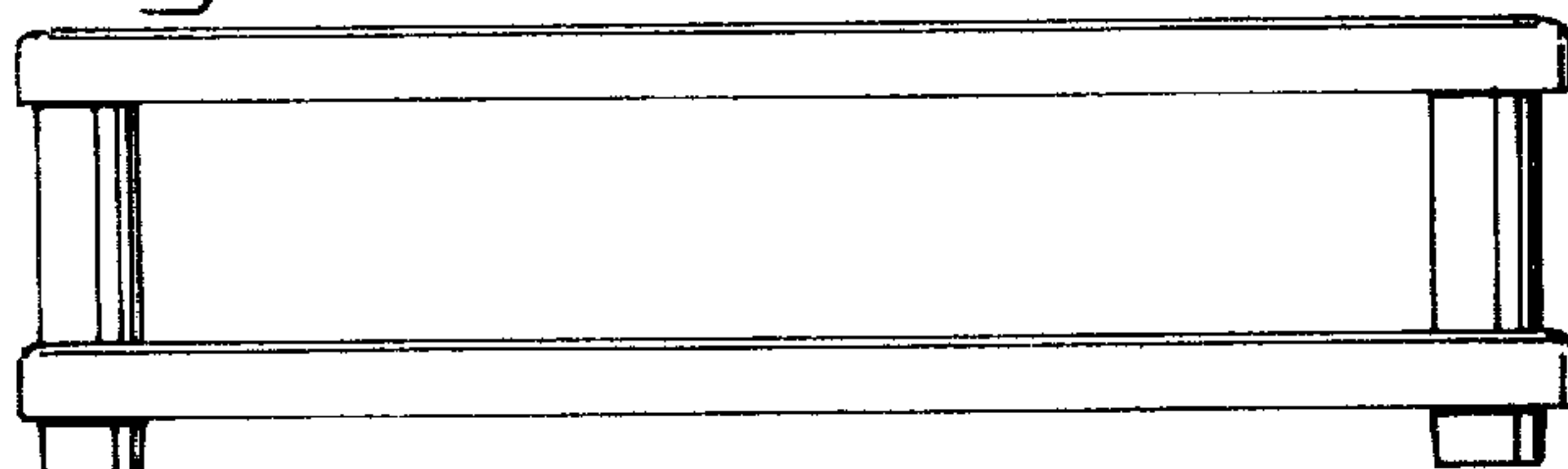


Fig. 4

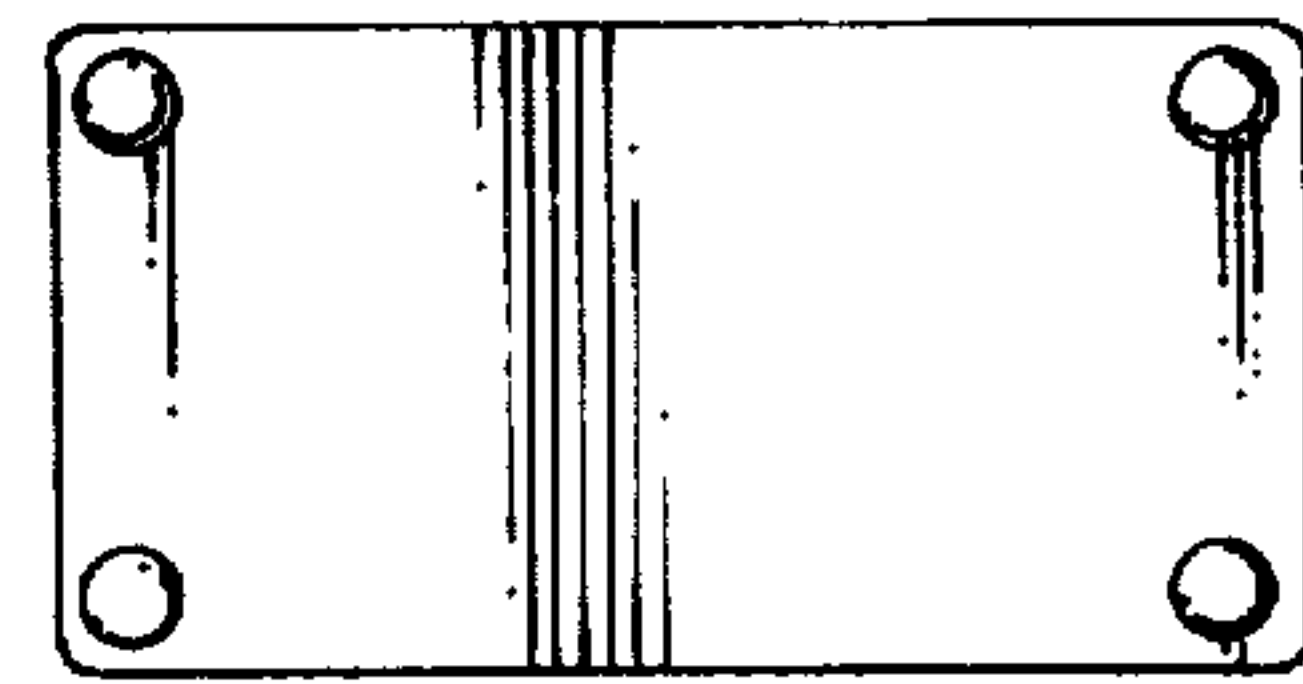


Fig. 5