

[54] PRESSURE COOKER

[75] Inventors: Frederick P. Jackson, Barrowfield; Brian Newell, Brierfield, both of England

[73] Assignee: The Prestige Group Limited, London, England

[**] Term: 14 Years

[21] Appl. No.: 932,414

[22] Filed: Aug. 9, 1978

[30] Foreign Application Priority Data

Apr. 19, 1978 [GB] United Kingdom 984256

[51] Int. Cl. D07-02

[52] U.S. Cl. D7/86

[58] Field of Search D7/85, 86, 97, 95, 129, D7/41, 131; 99/316

[56]

References Cited

U.S. PATENT DOCUMENTS

D. 146,234	1/1947	Russell	D7/86
D. 156,298	11/1949	Wagner	D7/86
D. 157,002	1/1950	Sayers et al.	D7/86
D. 184,909	4/1959	Boldt	D7/86
D. 187,609	4/1960	Boldt	D7/86
2,599,072	6/1952	Schweiso	220/316
3,973,694	8/1976	Tess	220/316 X

Primary Examiner—Winifred E. Herrmann
Attorney, Agent, or Firm—Diller, Ramik & Wight

[57]

CLAIM

The ornamental design for a pressure cooker, as shown.

DESCRIPTION

FIG. 1 is a perspective view of a pressure cooker embodying our new design.
FIG. 2 is a top plan view thereof.
FIG. 3 is a side view thereof.
FIG. 4 is an end view looking from the right in FIG. 3.
FIG. 5 is a bottom plan view thereof.

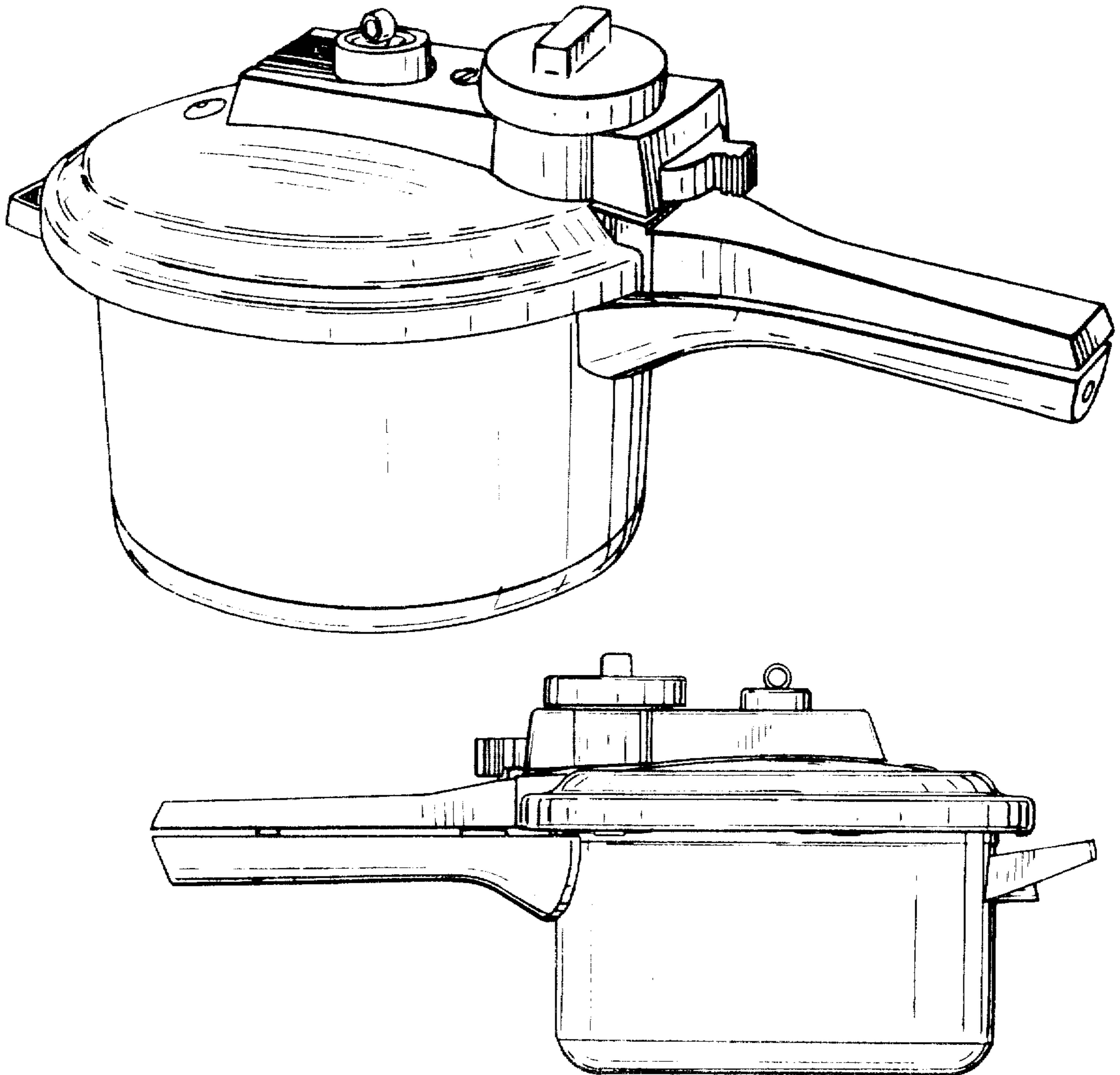


FIG. 1

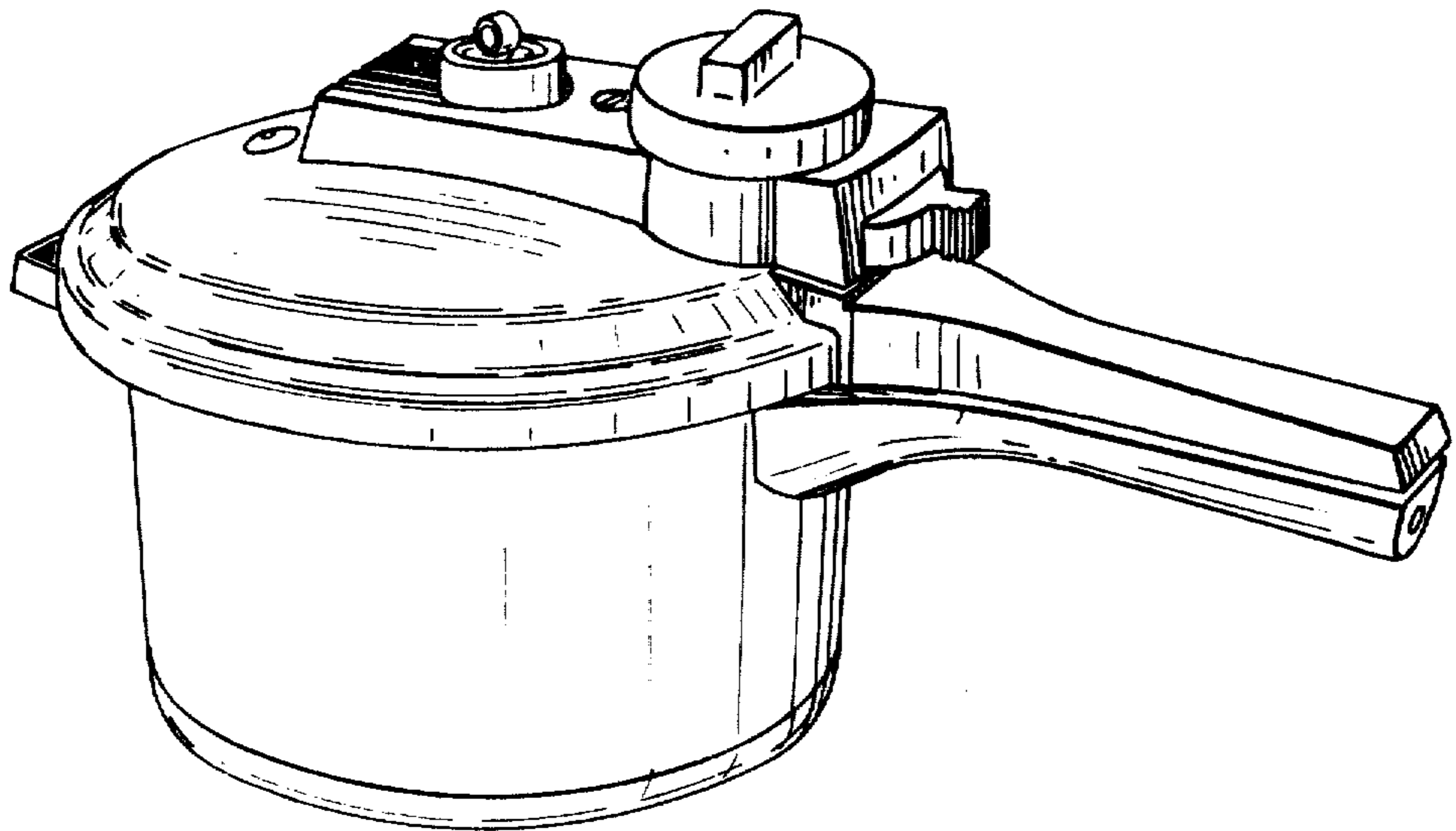


FIG. 2

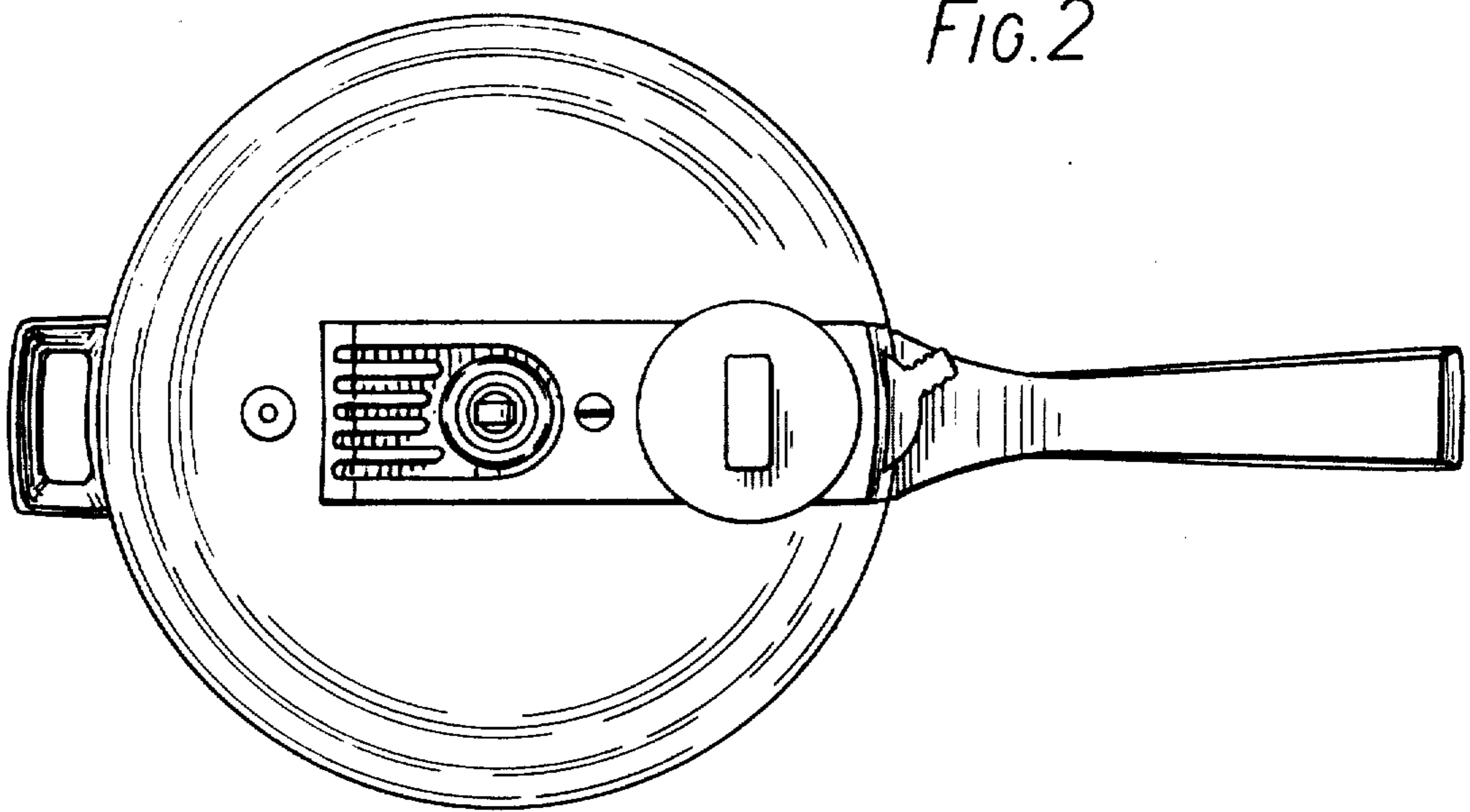


FIG. 3

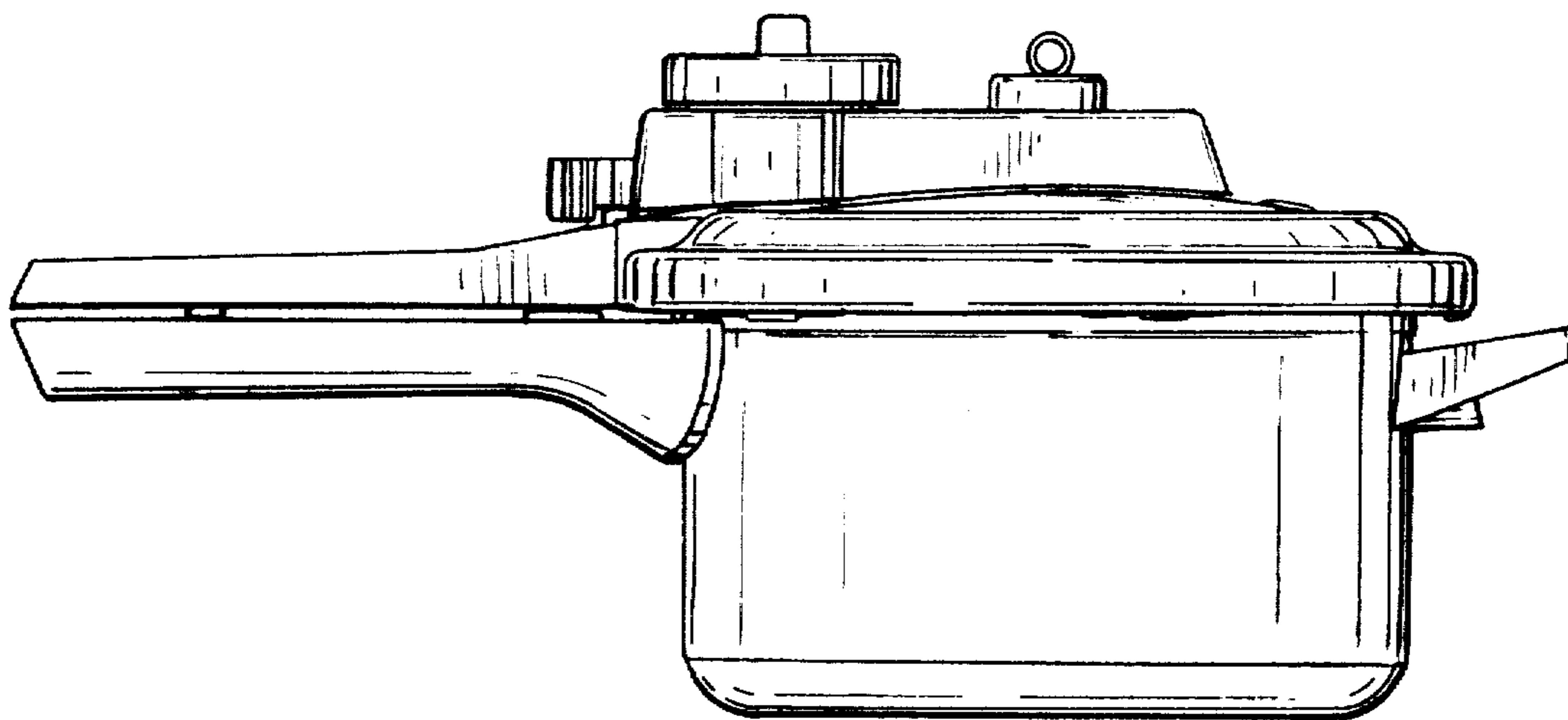


FIG. 4

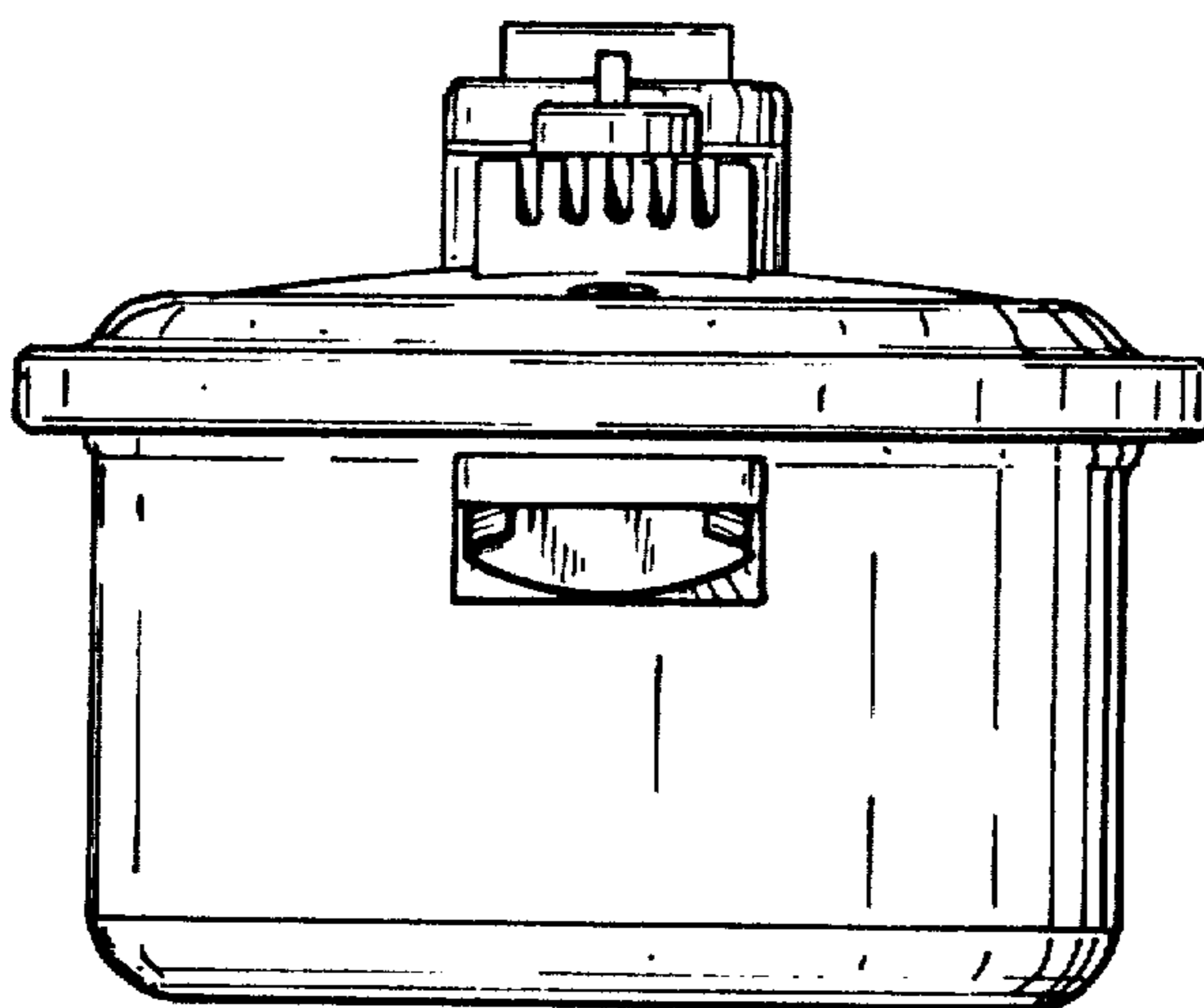


FIG. 5

