

- [54] **FOLDABLE IRONING-BOARD**
[75] Inventor: **Dan A. B. Pettersson**, Hillerstorp, Sweden
[73] Assignee: **AB Jarnarmatur**, Hillerstorp, Sweden
[**] Term: **14 Years**
[21] Appl. No.: **903,033**
[22] Filed: **May 4, 1978**
[30] **Foreign Application Priority Data**
Nov. 8, 1977 [SE] Sweden 2274
[51] Int. Cl. **D7—05**
[52] U.S. Cl. **D32/66**
[58] Field of Search **D7/200; 38/103, 104, 38/106, 107, 108, 109, 110, 111, 112, 135, 136, 137, 138, 139; 118/115**

- [56] **References Cited**
U.S. PATENT DOCUMENTS
2,603,012 7/1952 Geddes et al. 38/139 X
2,675,635 4/1954 Toth 38/139 X
2,885,803 5/1959 Wood 38/103

Primary Examiner—Catherine E. Kemper
Attorney, Agent, or Firm—Haseltine and Lake

[57] **CLAIM**

The ornamental design for a foldable ironing-board, as shown and described.

DESCRIPTION

FIG. 1 is a top perspective view of a foldable ironing-board showing my new design.
FIG. 2 is a bottom perspective view thereof.
FIG. 3 is a bottom perspective view of the foldable ironing-board in erected position.

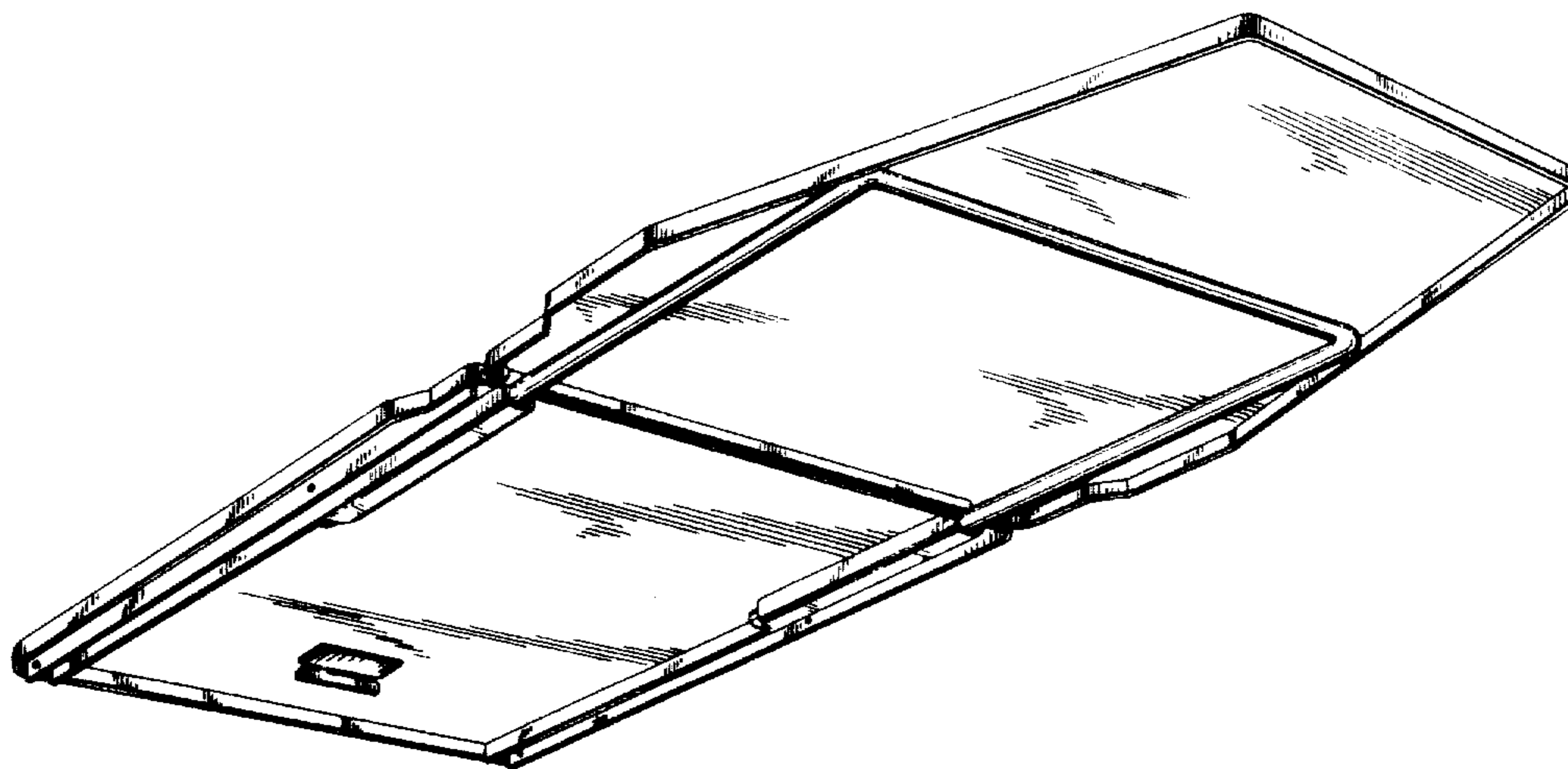


FIG. 1

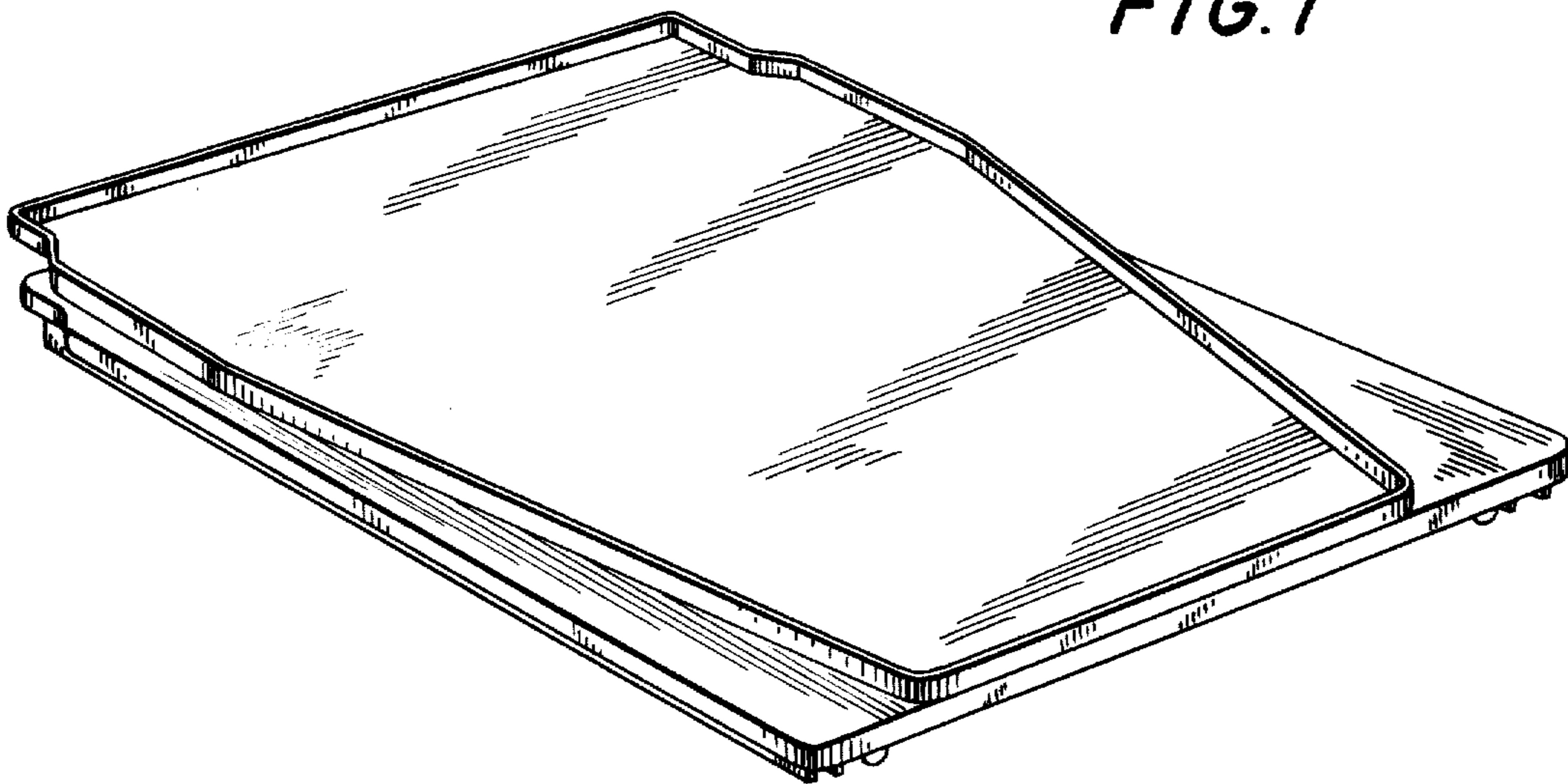
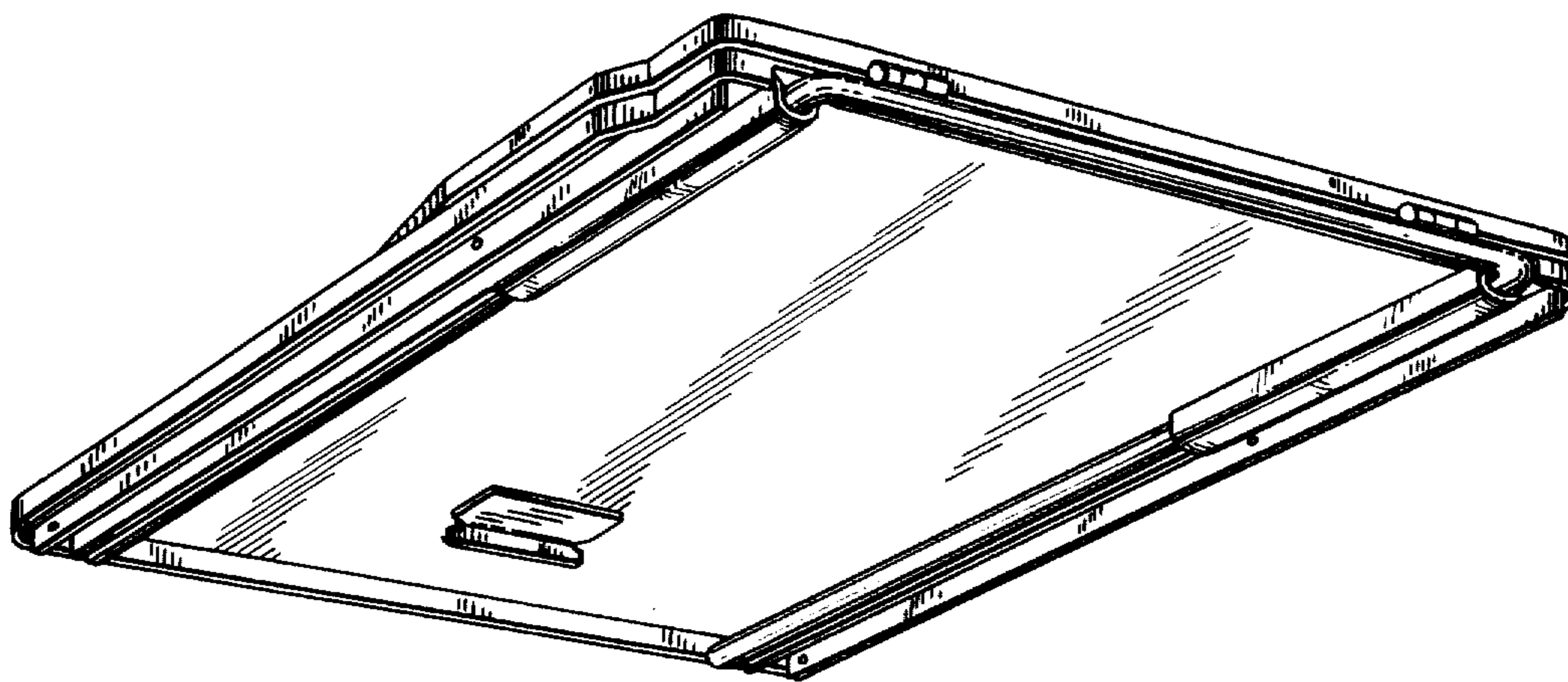


FIG. 2



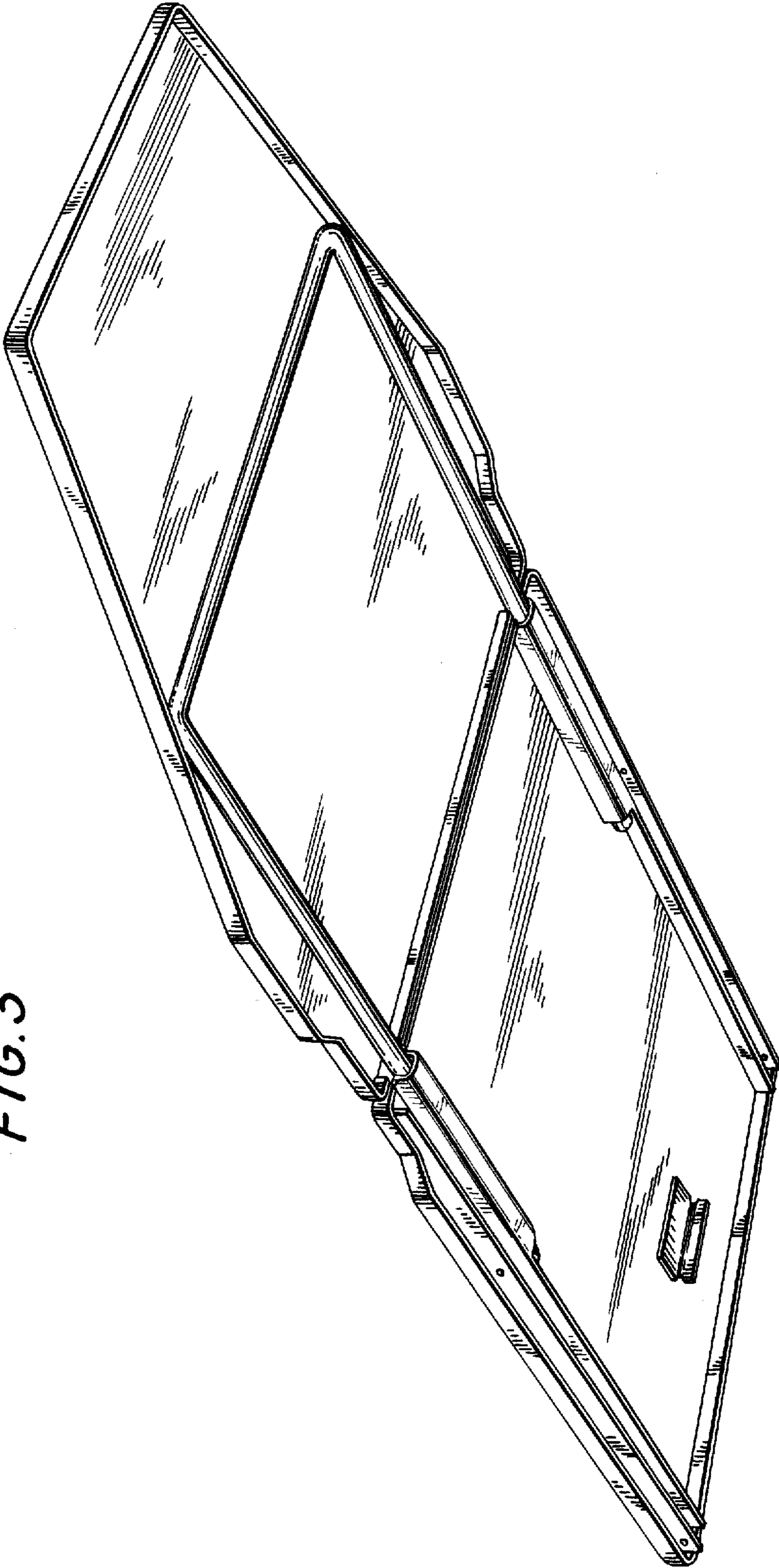


FIG. 3