

[54] STAND FOR SUPPORTING SKIS AND POLES

FOREIGN PATENT DOCUMENTS

17657 of 1893 United Kingdom 211/64

[76] Inventors: Robert A. Hildebrand, 2290 Willow La.; David R. Cole, 3050 Quail St., both of Lakewood, Colo. 80215

Primary Examiner—Leland A. Sebastian
Attorney, Agent, or Firm—Ancel W. Lewis, Jr.

[**] Term: 14 Years

[57] CLAIM

The ornamental design for a stand for supporting skis and poles, as shown and described.

[21] Appl. No.: 158,233

DESCRIPTION

[22] Filed: Jun. 10, 1980

FIG. 1 is a top perspective view of a stand for supporting skis and poles showing our new design; FIG. 2 is a vertical sectional view thereof taken along lines 2—2 of FIG. 1 with an intermediate portion of the central rod removed for convenience of illustration; FIG. 3 is a top plan view thereof; FIG. 4 is a bottom plan view of the upper support thereof as viewed along lines 4—4 of FIG. 5; FIG. 5 is a side elevation view thereof with an intermediate portion of the central rod both above and below the upper support removed for convenience of illustration; FIG. 6 is a top plan view of the lower support thereof taken along lines 6—6 of FIG. 5; and FIG. 7 is a bottom plan view thereof.

[51] Int. Cl. D6—99

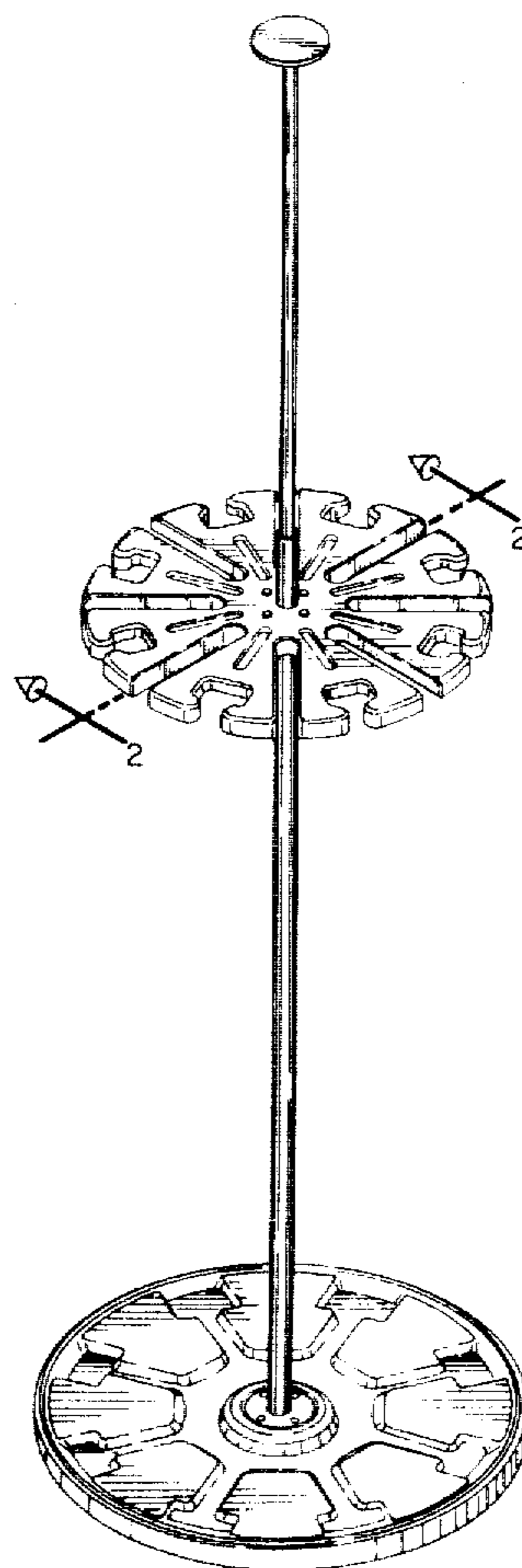
[52] U.S. Cl. D6/24; D6/85; D6/157

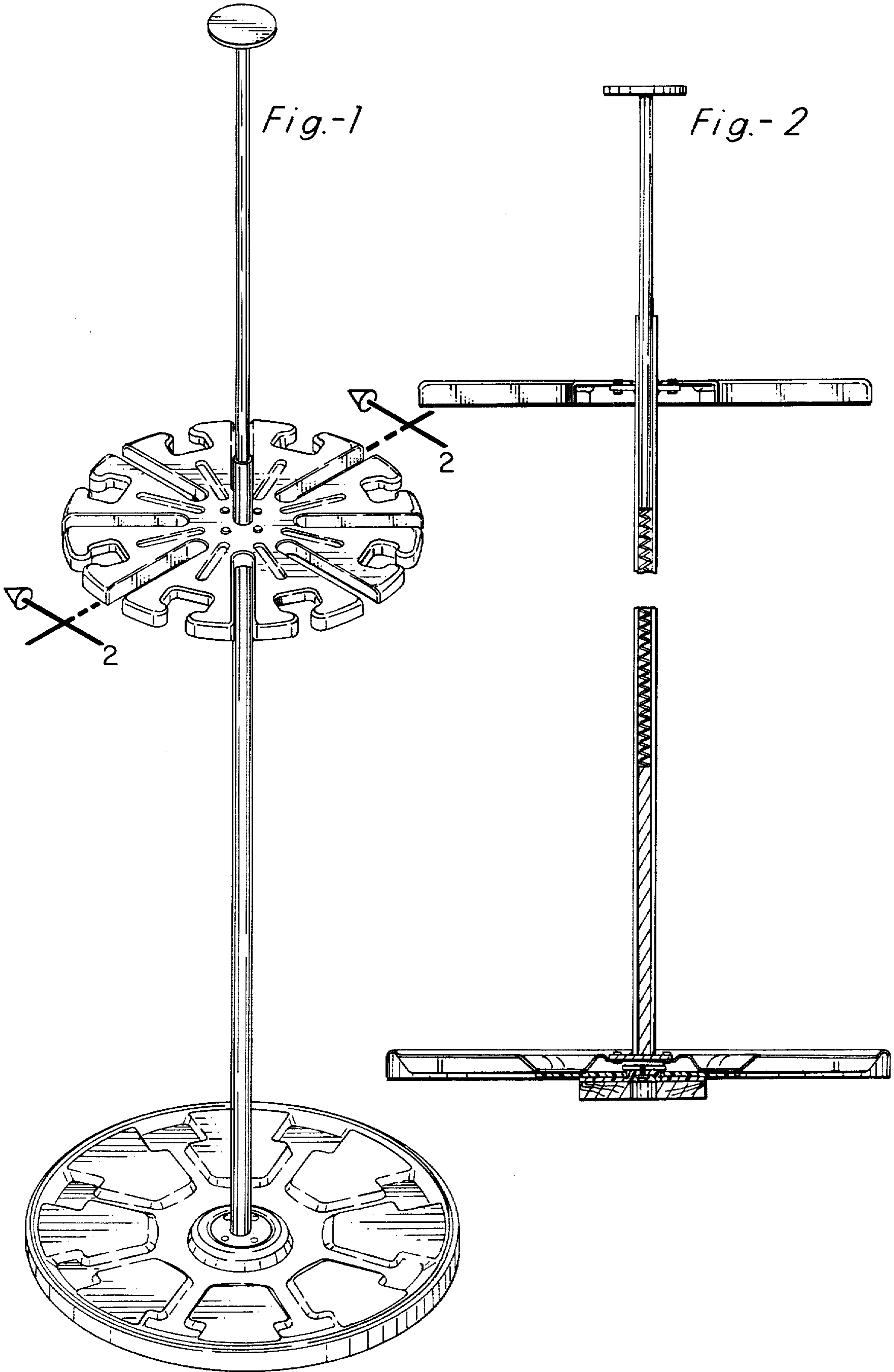
[58] Field of Search D6/1, 24, 85, 125, 140, D6/142, 157, 180, 184, 186, 188; 211/60 SK, 64

[56] References Cited

U.S. PATENT DOCUMENTS

712,428 10/1902 Whitcomb 211/64
4,099,808 7/1978 Oakley et al. 211/64 X





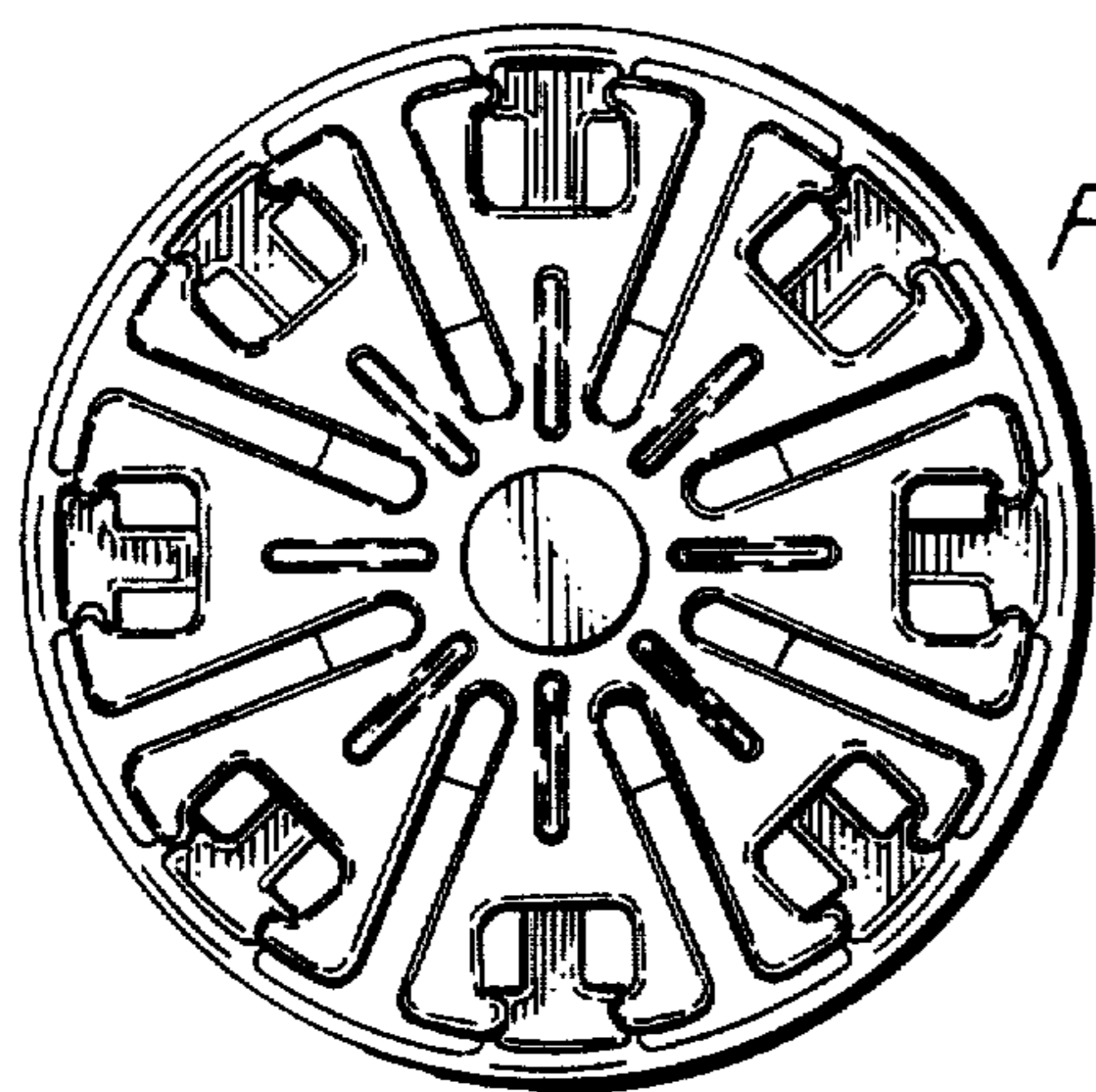


Fig.-3

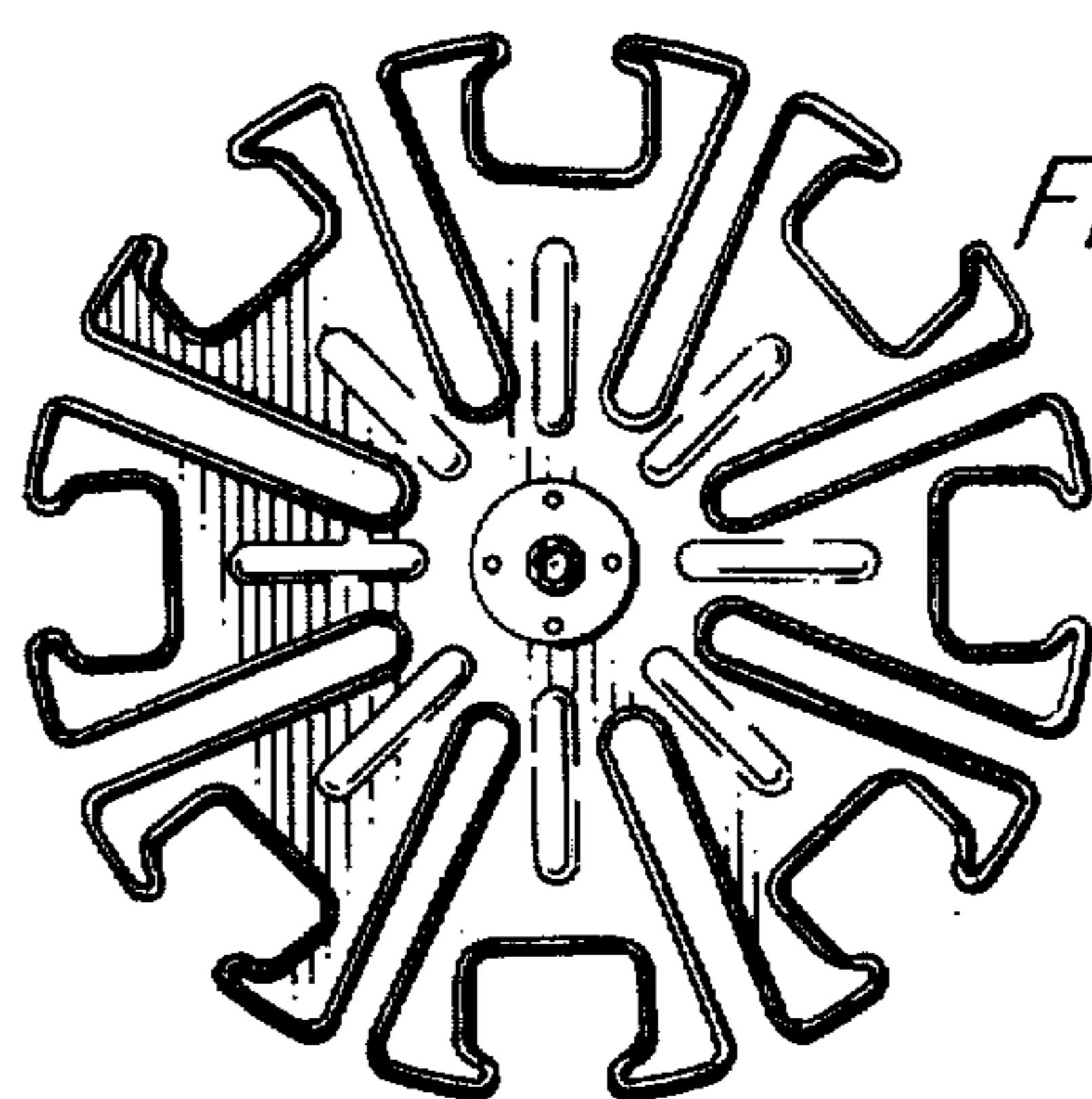


Fig.-4

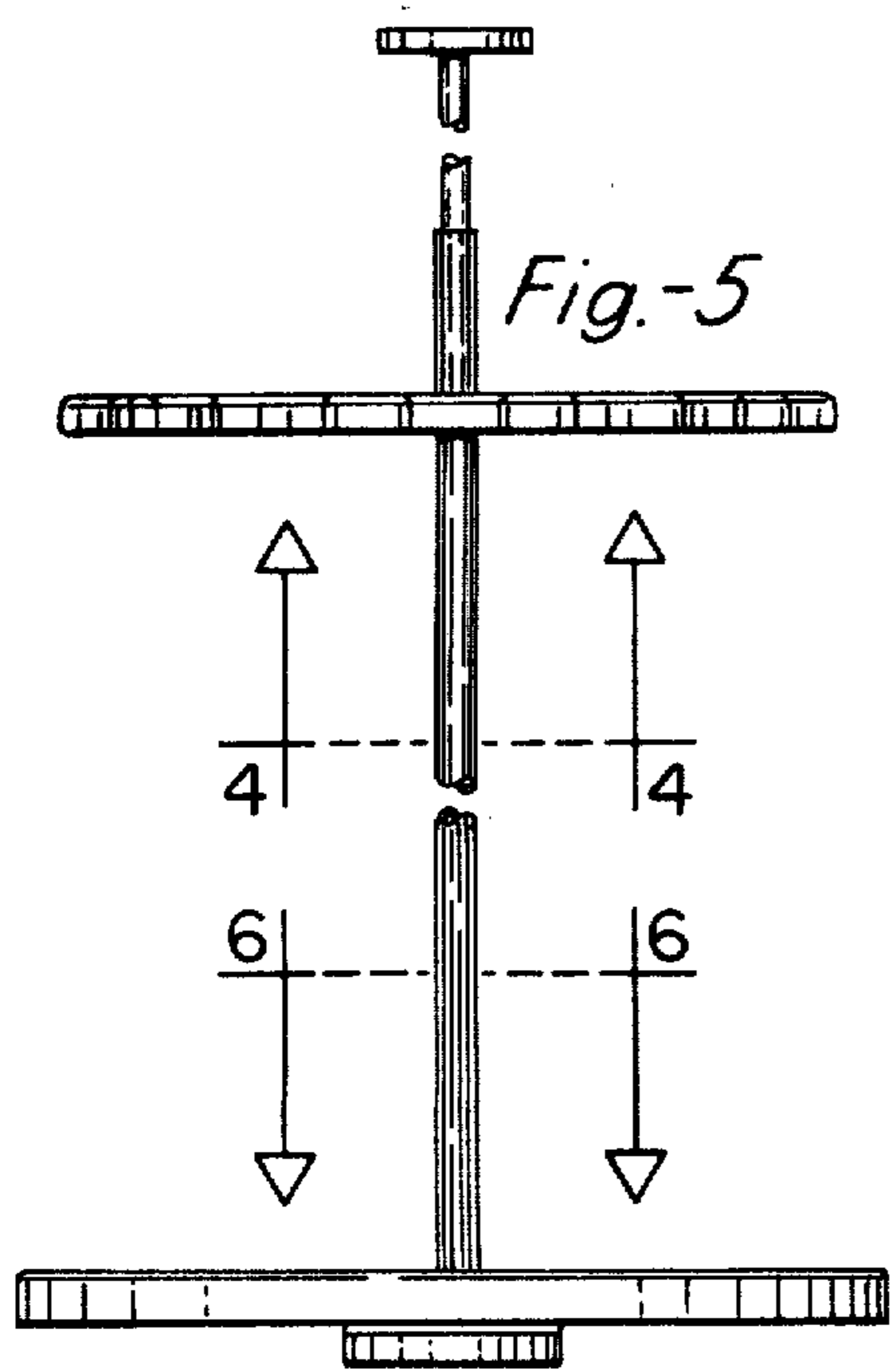


Fig.-5

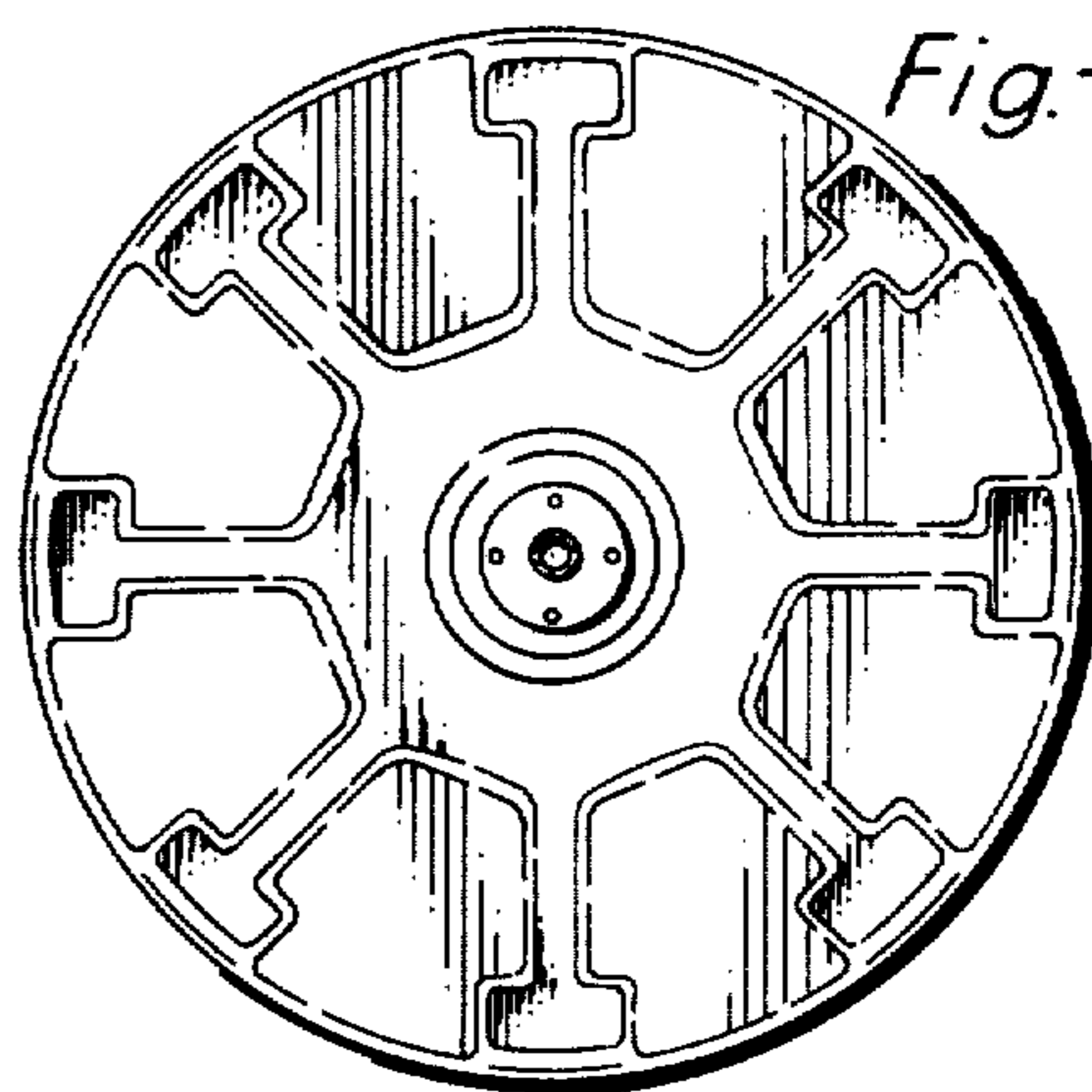


Fig.-6

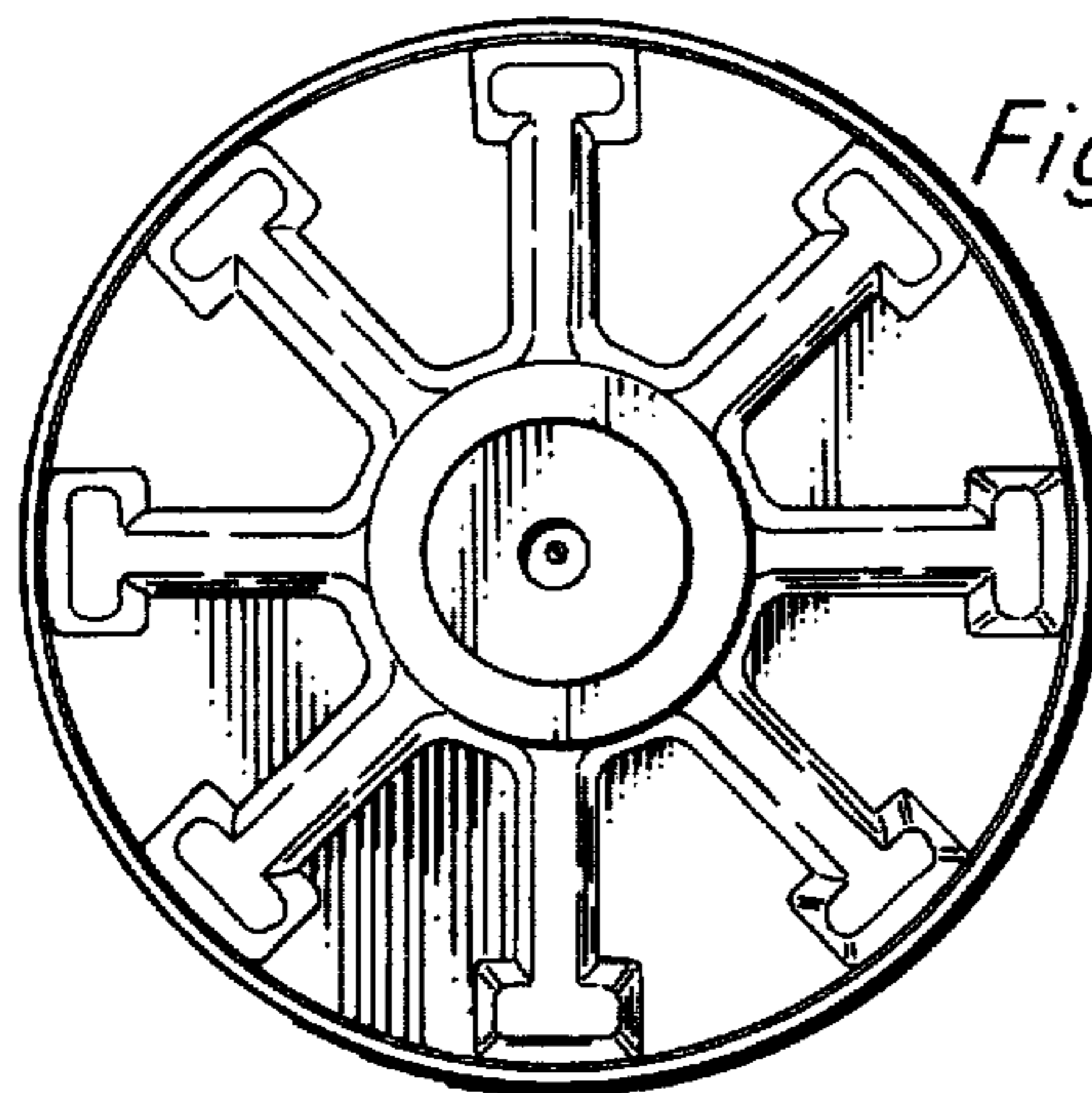


Fig.-7