

[54] BATHROOM HOOK

[75] Inventor: **Bruce R. Thompson**, Tranmere, Australia

[73] Assignee: **UPL Group Limited**, Brisbane, Australia

[\*\*] Term: **14 Years**

[21] Appl. No.: **121,246**

[22] Filed: **Feb. 13, 1980**

[51] Int. Cl. .... **D8-08; D23-02**

[52] U.S. Cl. .... **D6/120; D8/307; D8/367**

[58] Field of Search ..... **D6/86, 114, 120, 122; D8/367, 370, 372, 307; 248/303, 304; 211/87, 88, 89**

[56] **References Cited**

**U.S. PATENT DOCUMENTS**

D. 70,688	7/1926	Jordan	.....	D6/120
D. 184,506	3/1959	Borenstein	.....	D8/307
D. 196,964	11/1963	Clayton	.....	D8/307
D. 241,206	8/1976	Halsted	.....	D8/86

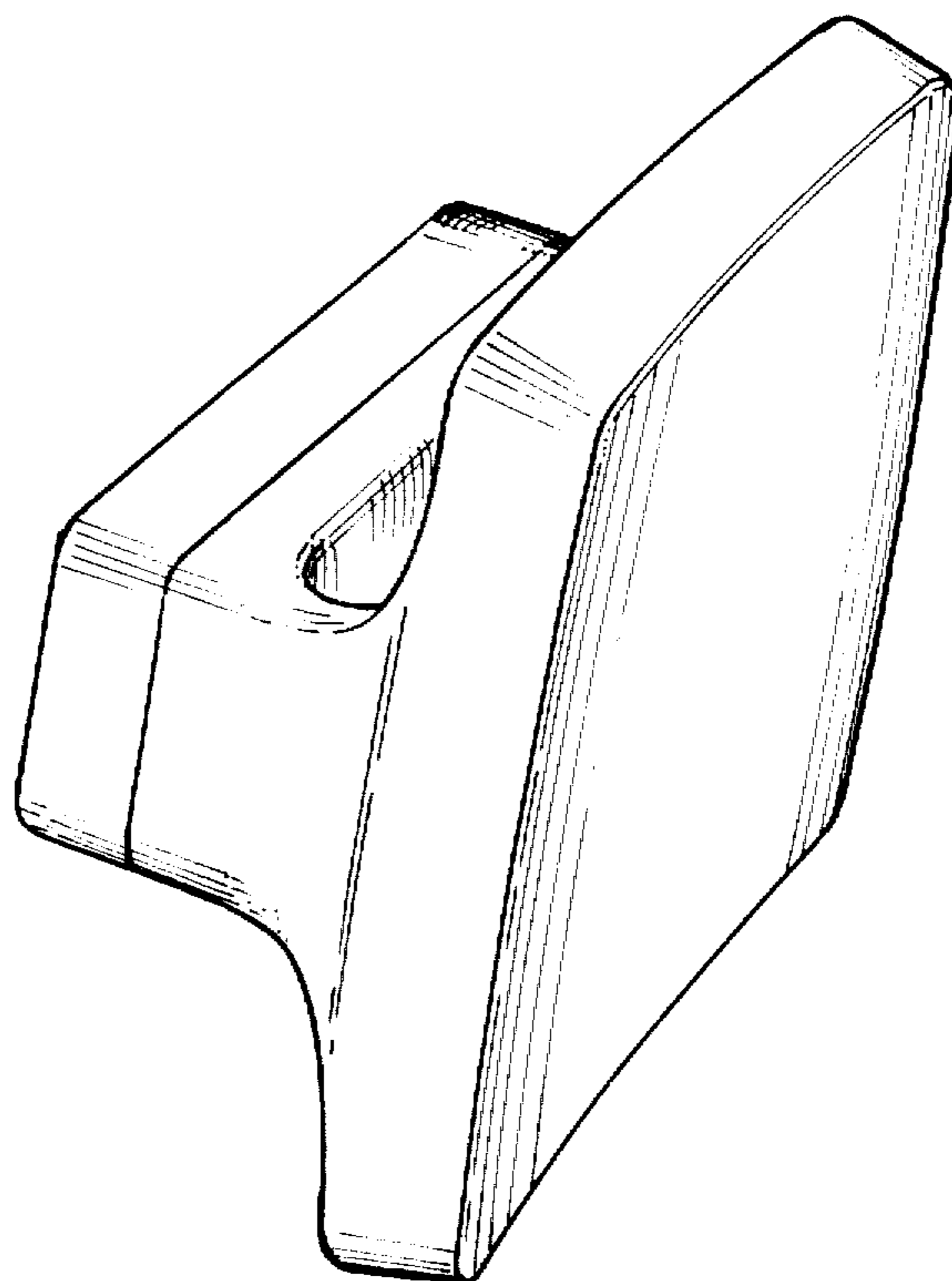
*Primary Examiner*—B. J. Bullock  
*Attorney, Agent, or Firm*—McDougall, Hersh & Scott

[57] **CLAIM**

The ornamental design for a bathroom hook, as shown.

**DESCRIPTION**

FIG. 1 is a perspective view of a bathroom hook showing my new design;  
FIG. 2 is a top plan view thereof;  
FIG. 3 is a bottom plan view thereof;  
FIG. 4 is a front elevational view thereof;  
FIG. 5 is a rear elevational view thereof;  
FIG. 6 is a side elevational view taken from the left of FIG. 1, the side opposite being a mirror image thereof; and  
FIG. 7 is a sectional view taken in the direction of the arrows on line 7-7 of FIG. 3.



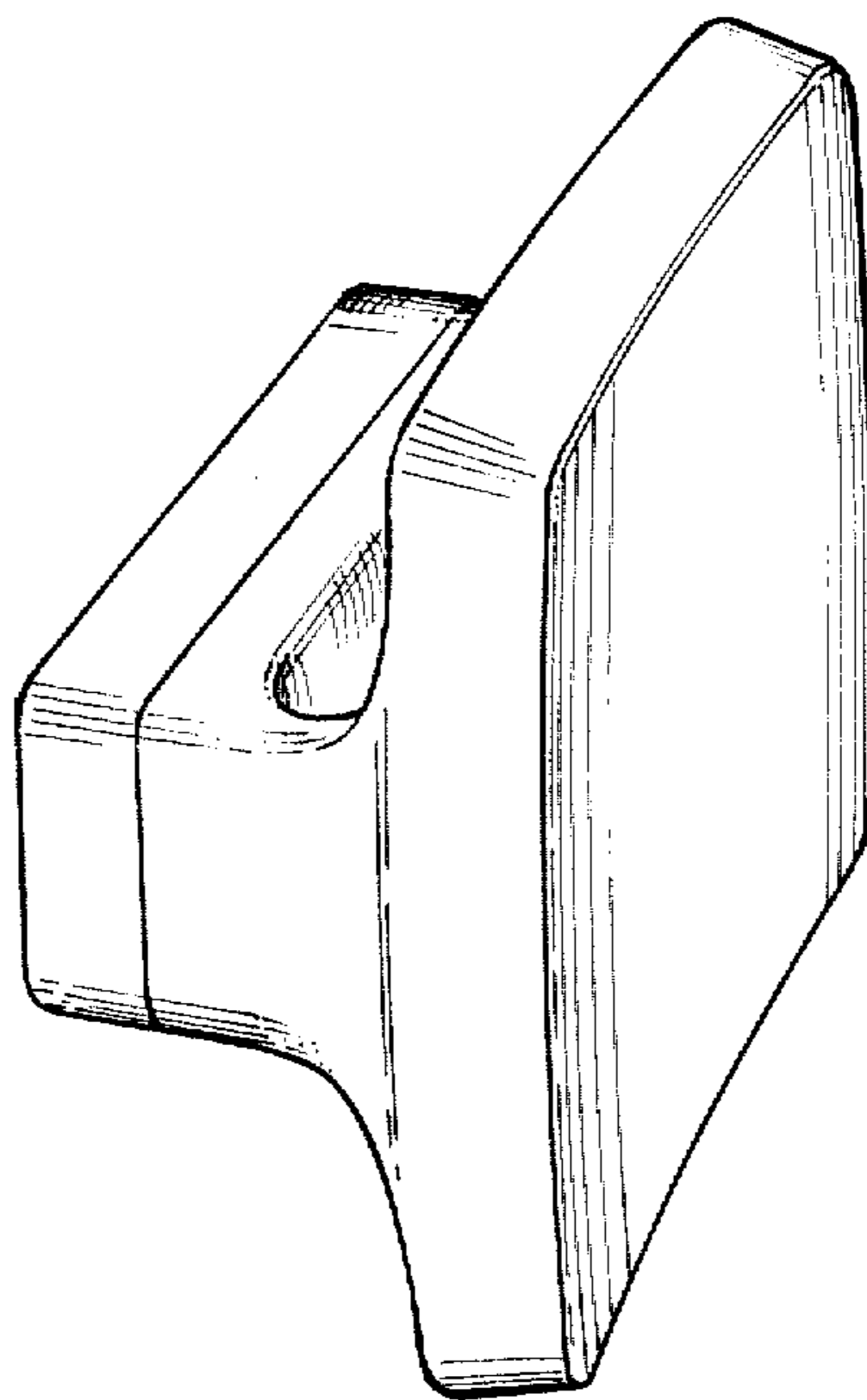


FIG. 1

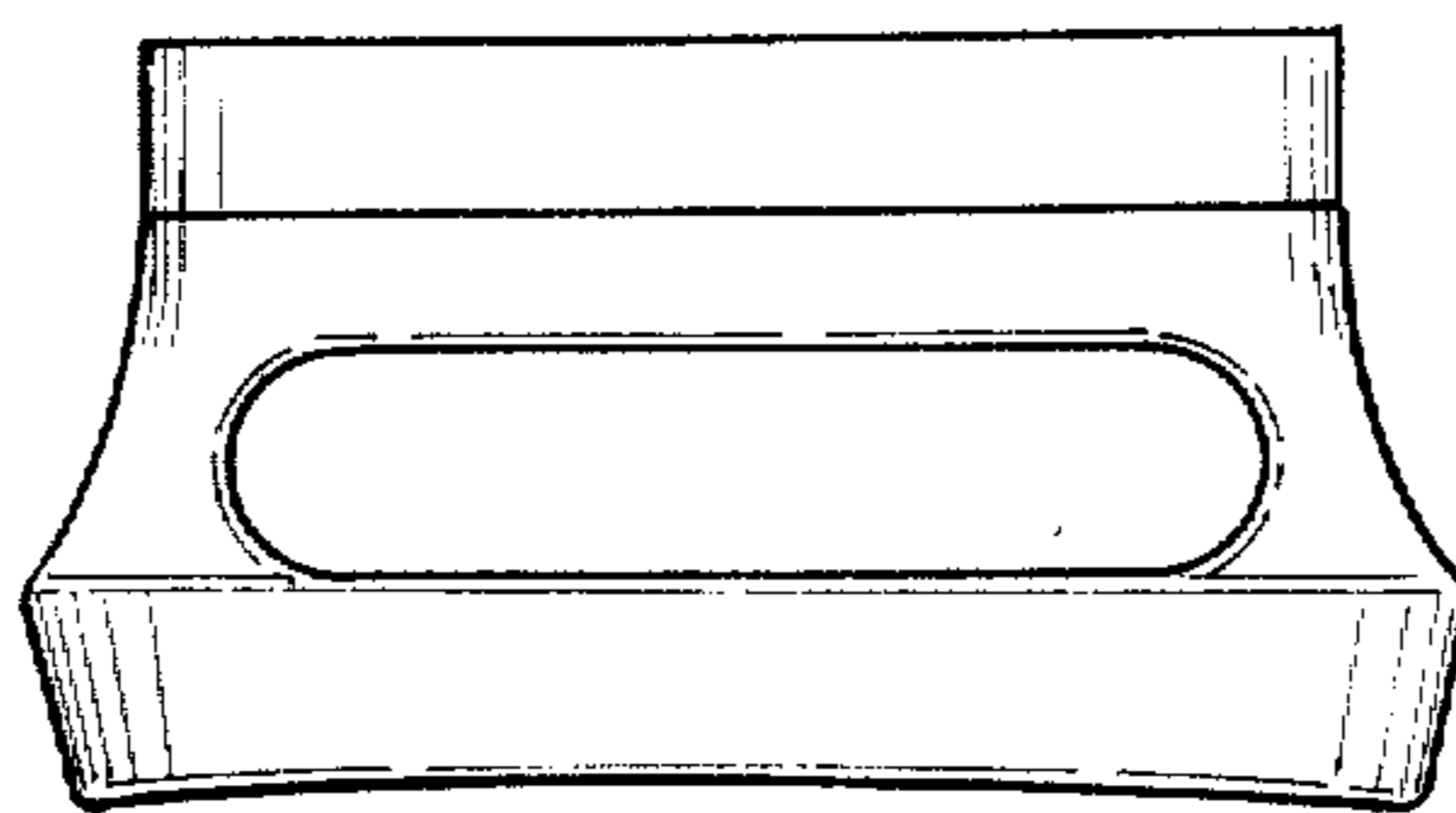


FIG. 2

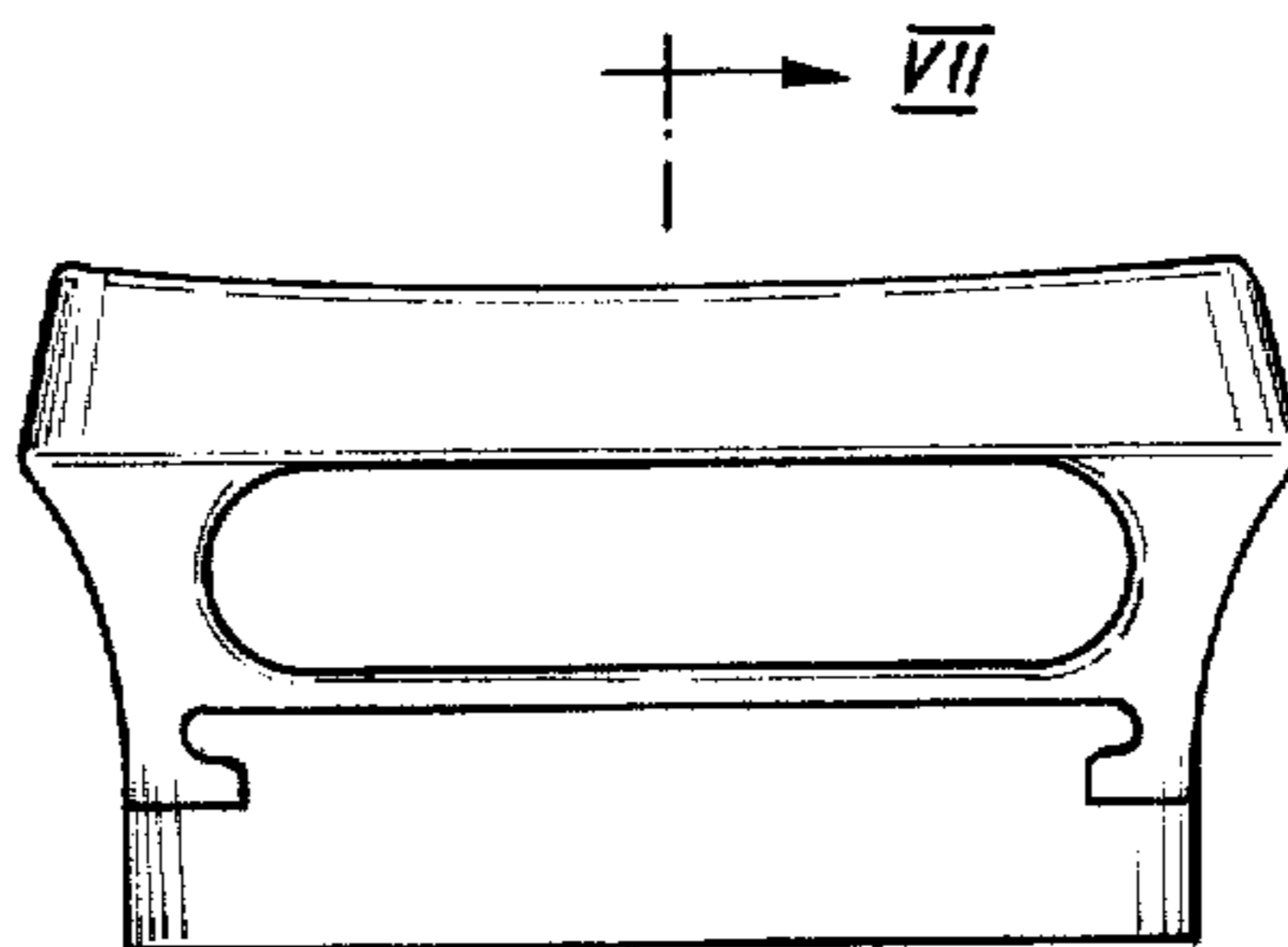
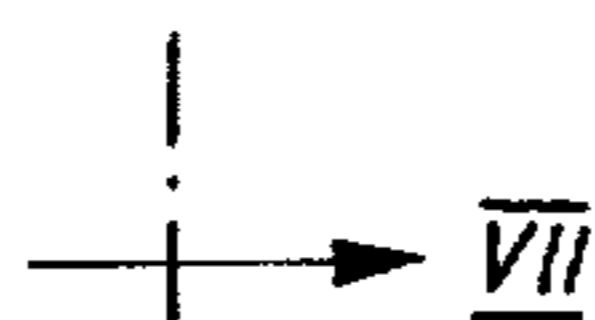
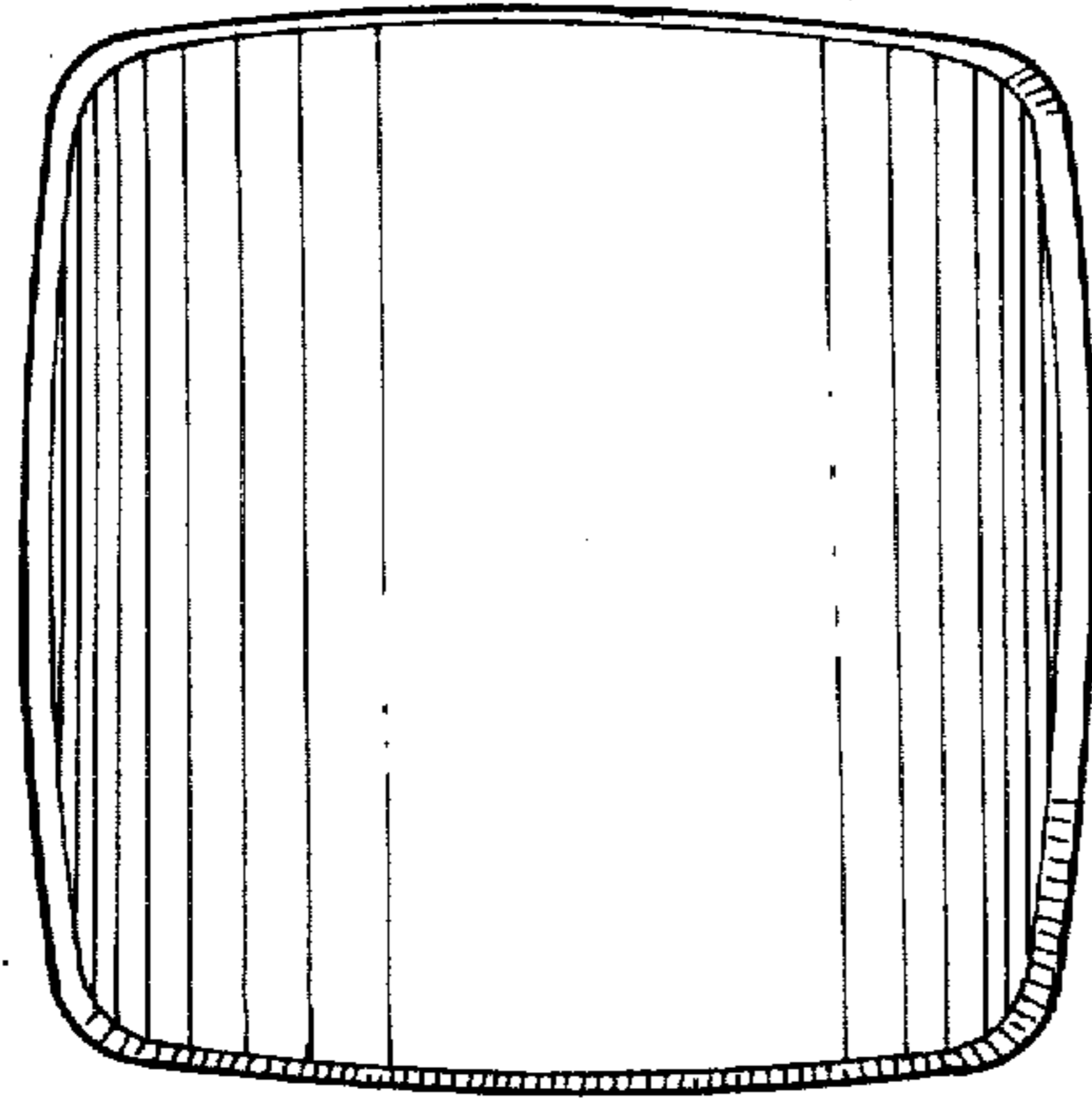


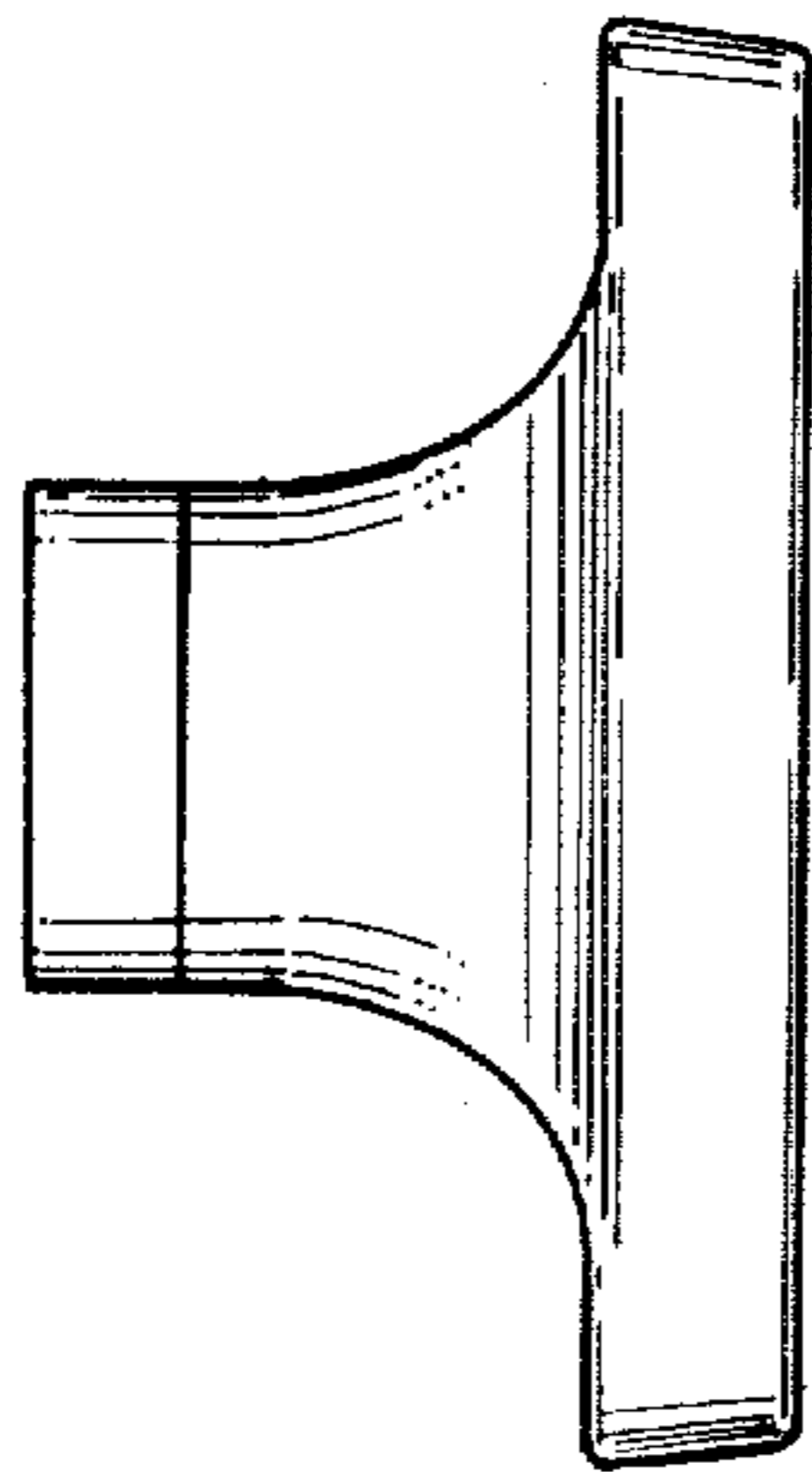
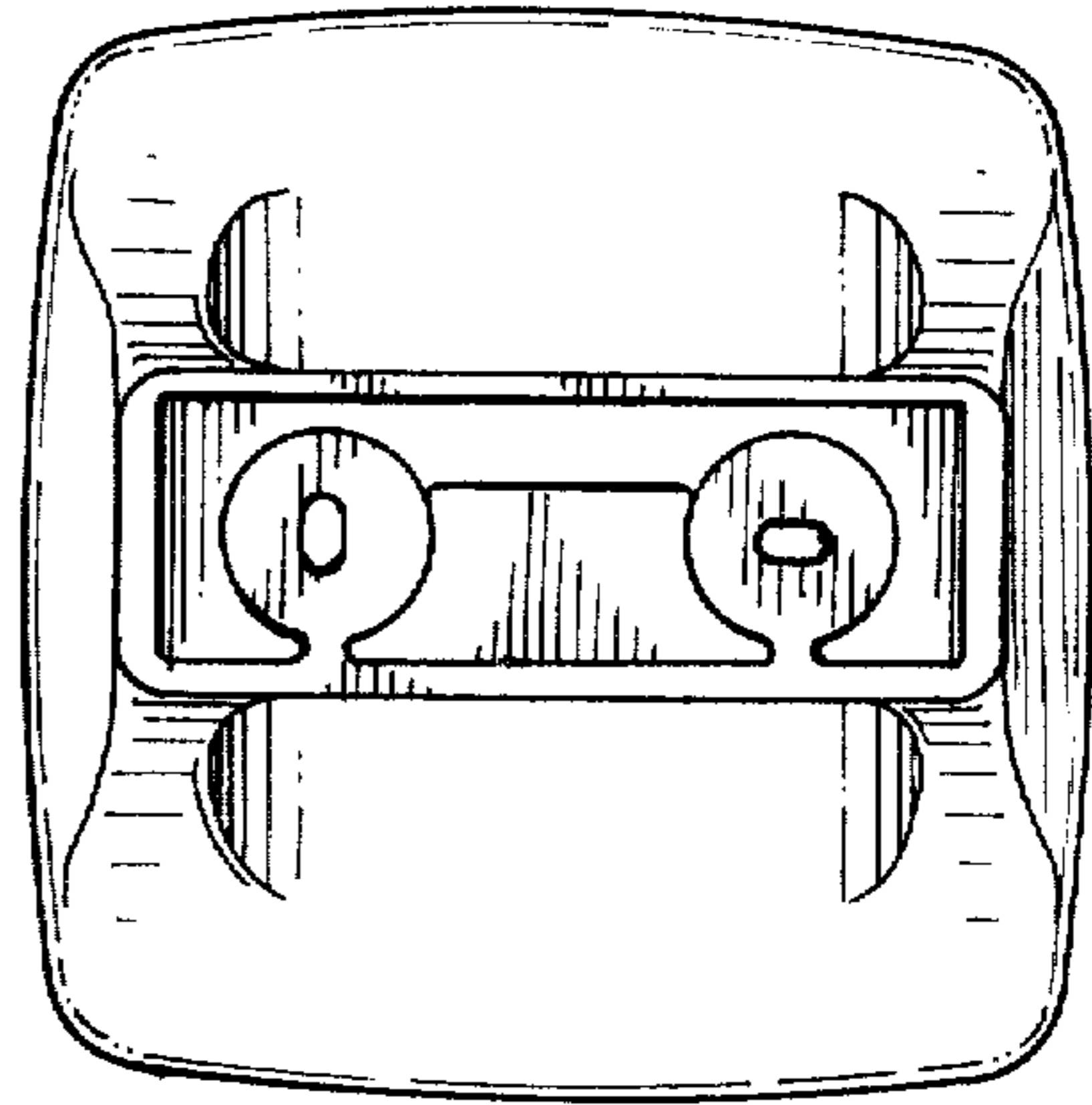
FIG. 3



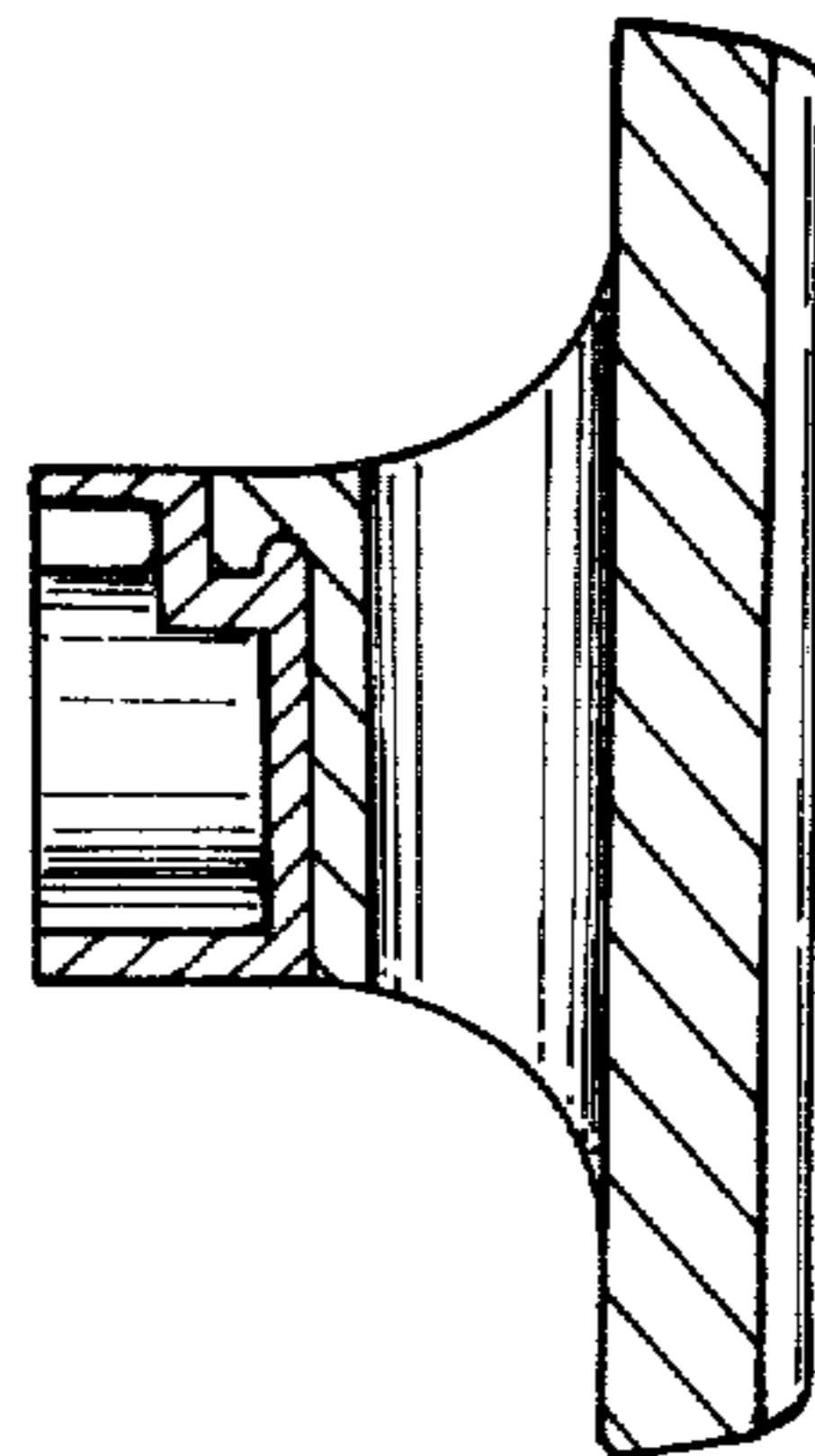
**FIG. 4**



**FIG. 5**



**FIG. 6.**



**FIG. 7**