

[54] MAGAZINE RACK

[75] Inventor: Nicholas W. Keller, Lower Burrell, Pa.

[73] Assignee: Action Industries, Inc., Cheswick, Pa.

[\*\*] Term: 14 Years

[21] Appl. No.: 63,197

[22] Filed: Aug. 2, 1979

[51] Int. Cl. .... D6-04

[52] U.S. Cl. .... D6/153; D6/16; D6/184

[58] Field of Search ..... D6/13, 14, 4, 15, 184, D6/185, 151-154; 5/98 A, 98 C, 99 A, 99 B, 102

[56]

References Cited

U.S. PATENT DOCUMENTS

- D. 142,348 8/1945 Penndorf ..... D6/15 X
- D. 165,921 2/1952 Ippolito ..... D6/15 X
- D. 242,303 11/1976 Shehan ..... D6/4

OTHER PUBLICATIONS

Furniture Age, 1-1955, p. 37, Cradle by Monitor.

Primary Examiner—Bruce W. Dunkins

Attorney, Agent, or Firm—Parmelee, Miller, Welsh & Kratz

[57]

CLAIM

The ornamental design for a magazine rack, as shown and described.

DESCRIPTION

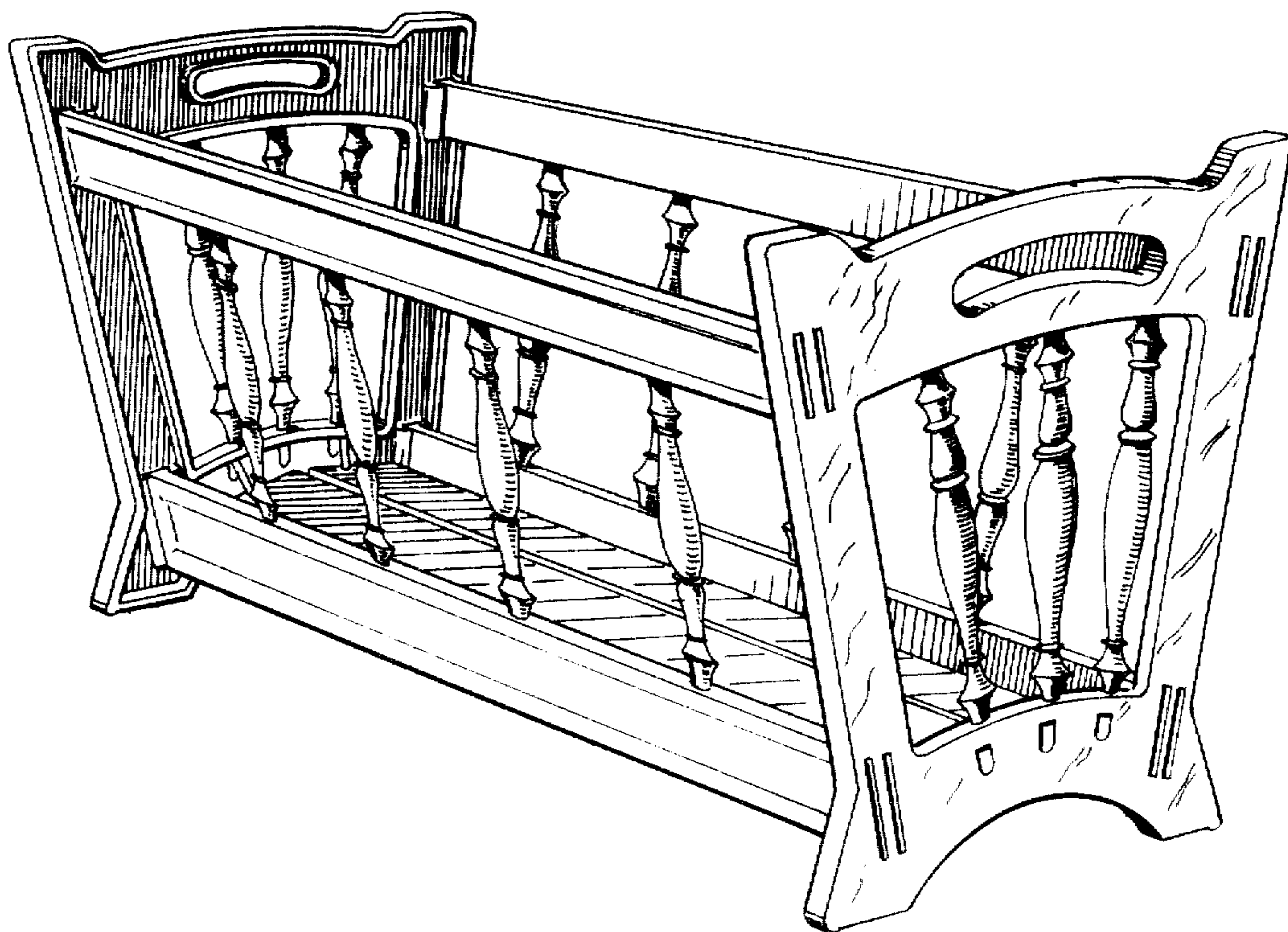
FIG. 1 is an isometric view of a magazine rack showing my new design;

FIG. 2 is a reduced scale front elevational view thereof;

FIG. 3 is a reduced scale side elevational view thereof;

FIG. 4 is a reduced scale top plan view thereof; and

FIG. 5 is a reduced scale bottom plan view thereof.



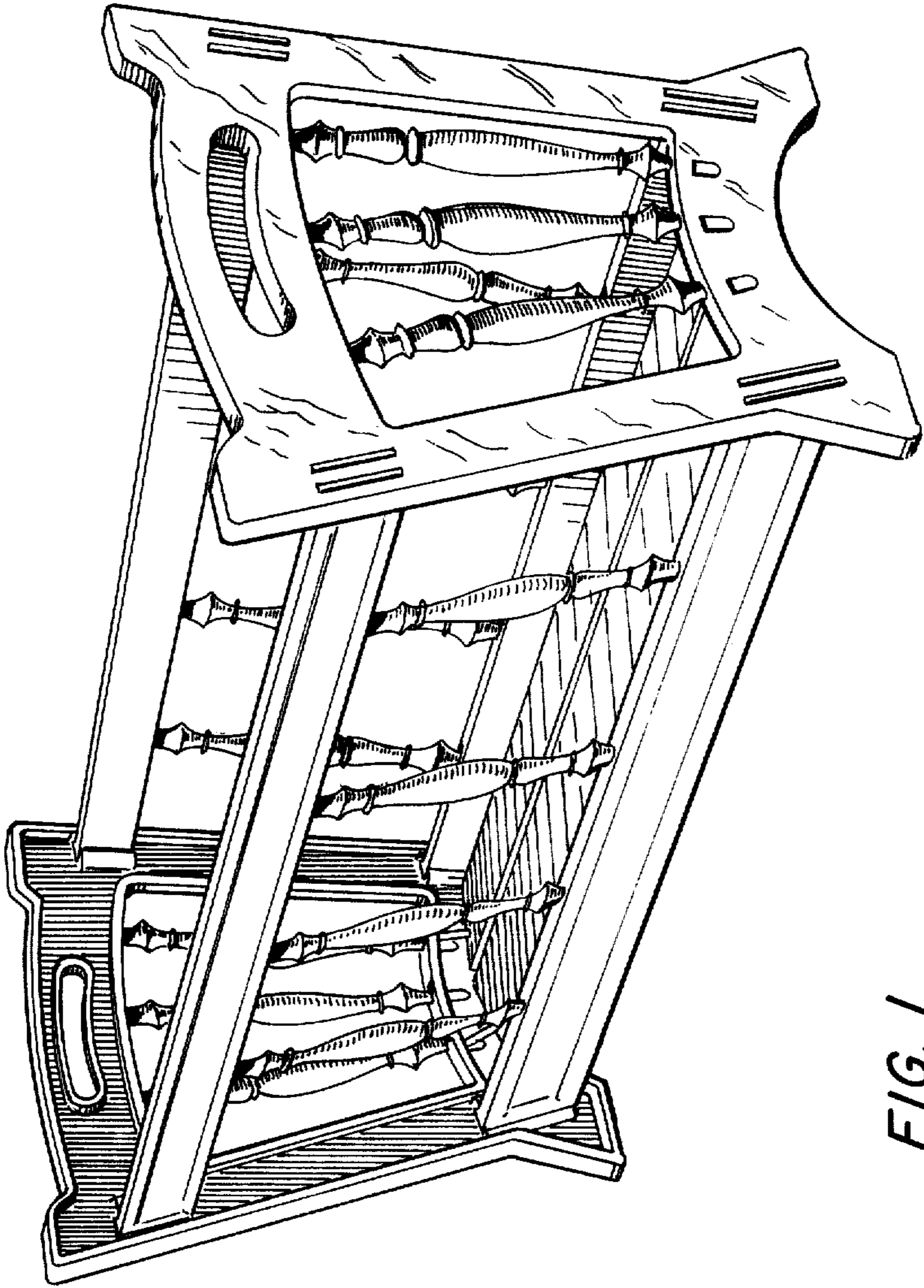
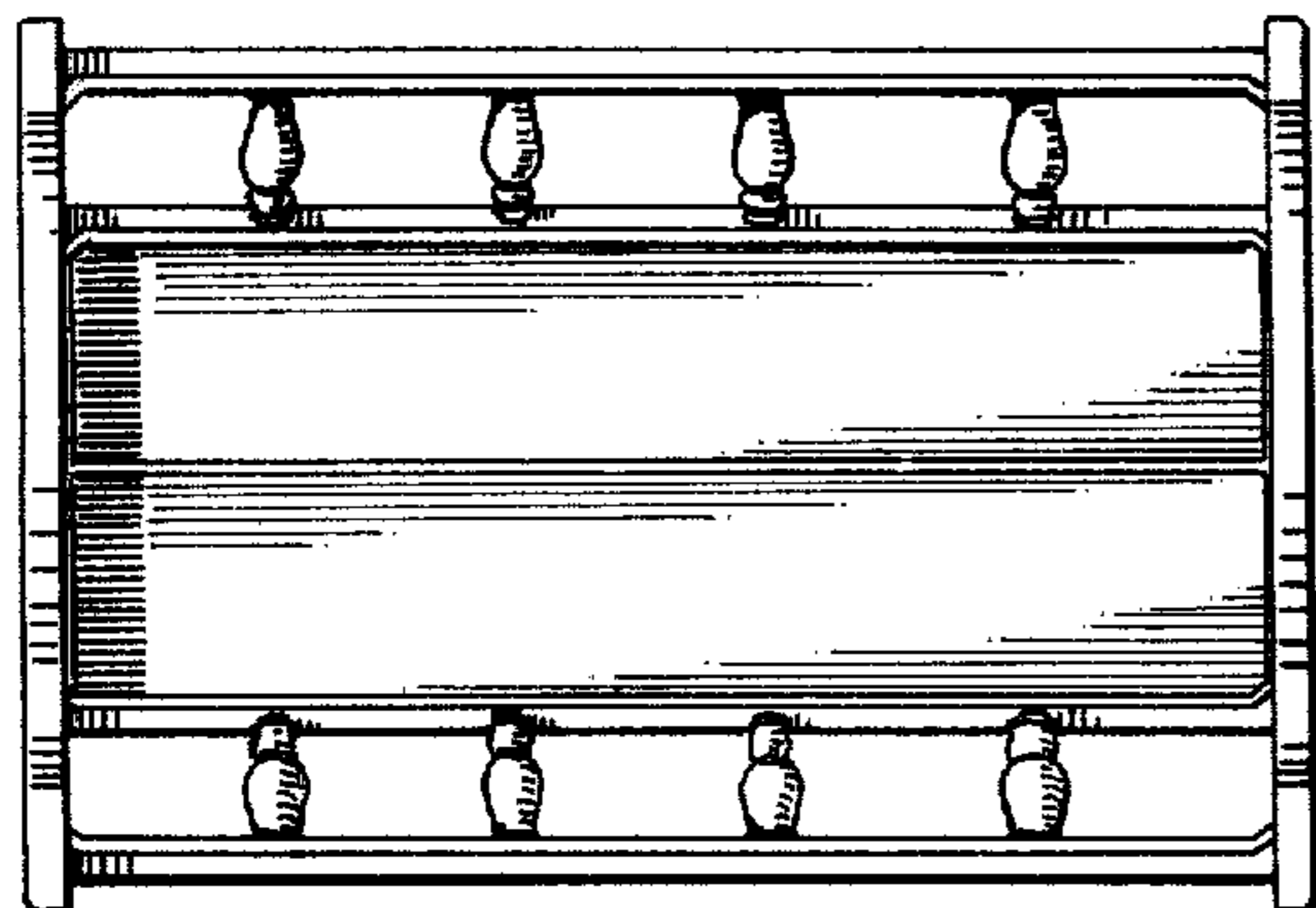
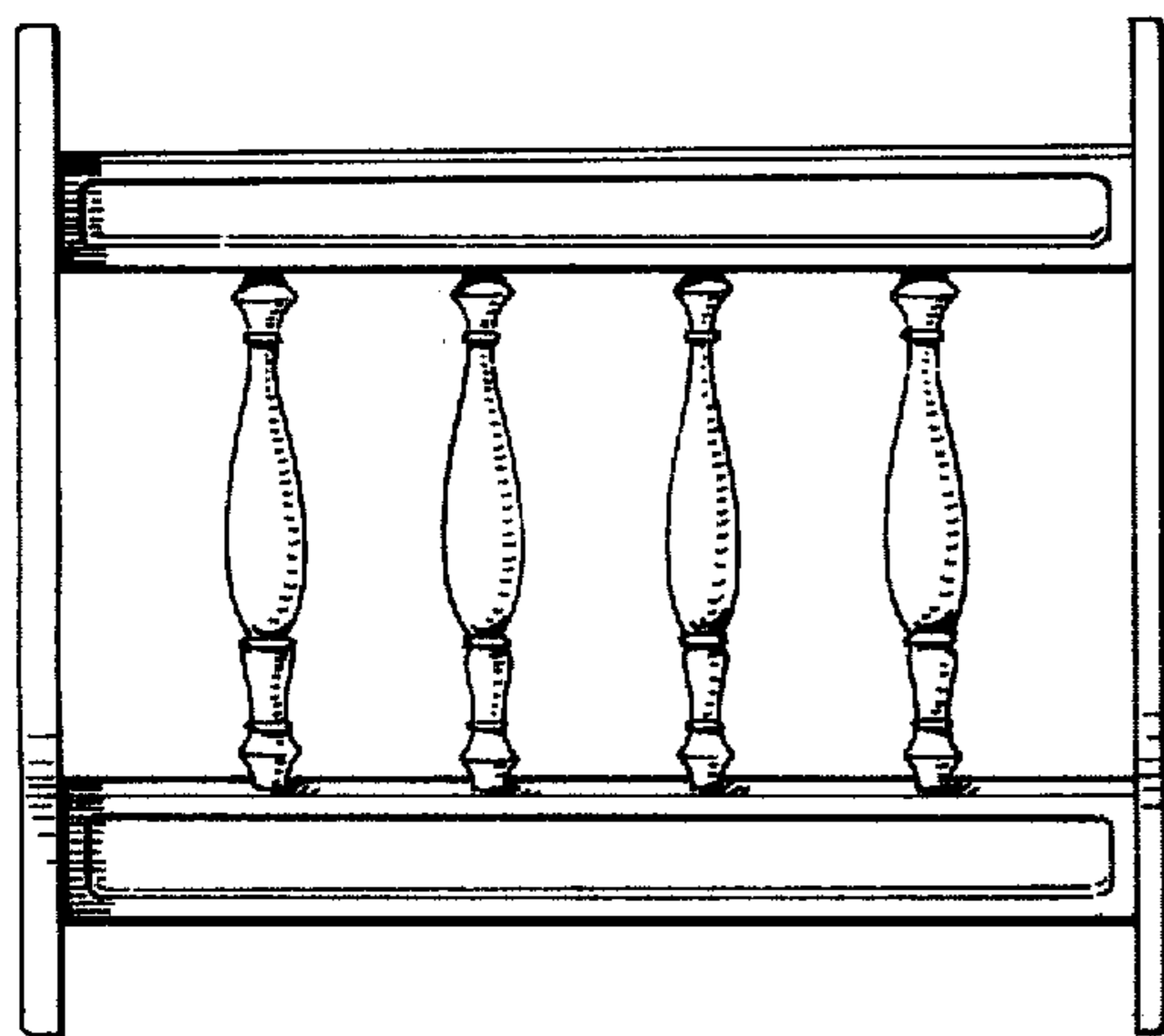


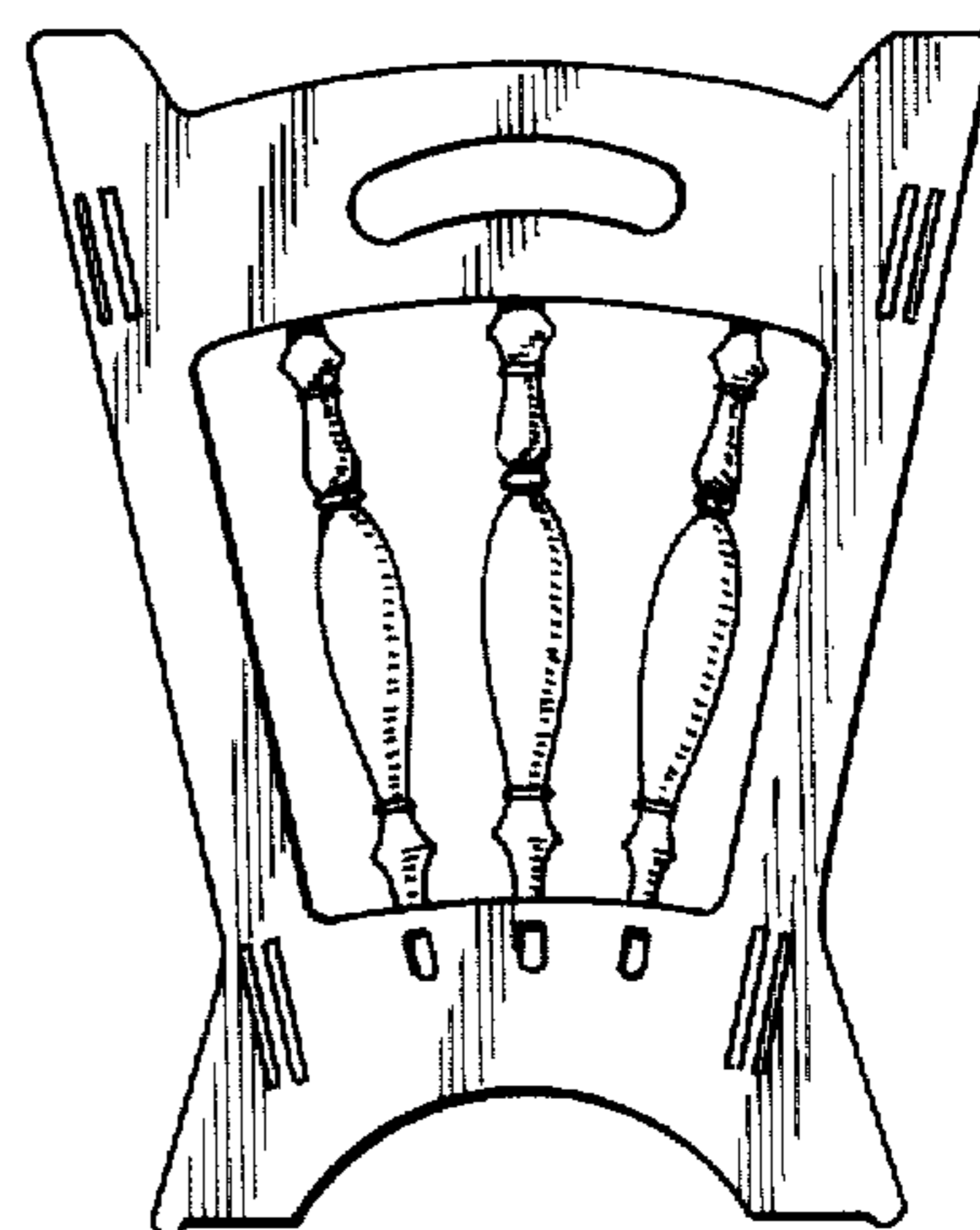
FIG. 1



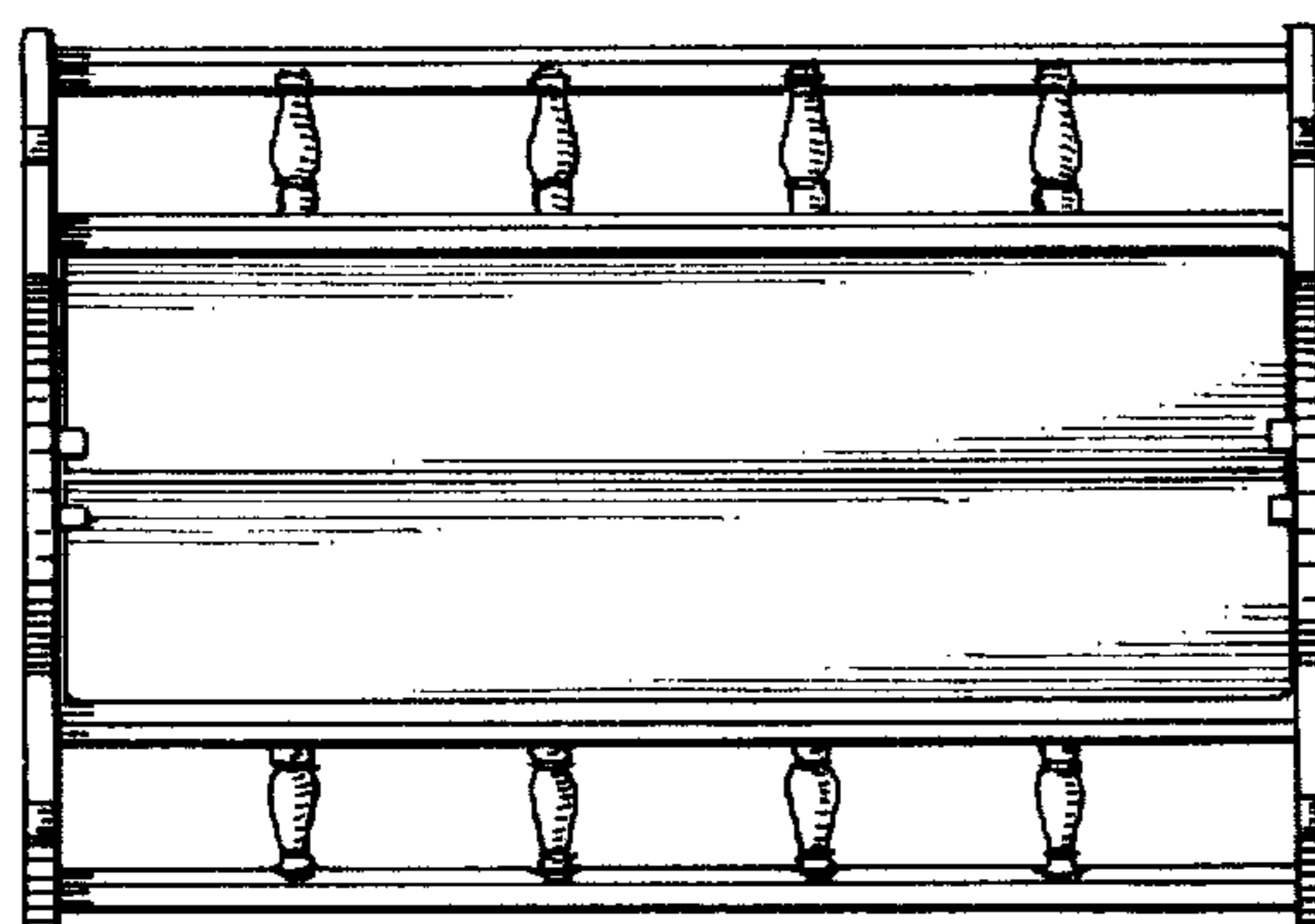
*FIG. 4*



*FIG. 3*



*FIG. 2*



*FIG. 5*