

[54] TABLE ATTACHABLE SEAT FOR A CHILD

[76] Inventors: George J. Euwema, 1880 NW. 40th Ct.; George W. Euwema, 1920 NW. 40th Ct., both of Fort Lauderdale, Fla. 33309

[*] Notice: The portion of the term of this patent subsequent to Jan. 29, 1994, has been disclaimed.

[**] Term: 14 Years

[21] Appl. No.: 951,473

[22] Filed: Oct. 16, 1978

[51] Int. Cl. D6-01

[52] U.S. Cl. D6/9

[58] Field of Search D6/5, 7, 9; 297/243, 297/273, 274, 275, 467, 134, 174

[56]

References Cited

U.S. PATENT DOCUMENTS

D. 166,908	6/1952	Ducey	D6/9
D. 181,700	12/1957	Armitage	D6/9
D. 200,850	4/1965	Palmer et al.	D6/9
D. 205,066	6/1966	Barnhill	D6/9
D. 231,588	5/1974	Hanley	D6/9
D. 248,799	8/1978	Adams	D6/9
3,126,226	3/1964	Johnson	297/174

Primary Examiner—Bruce W. Dunkins
Attorney, Agent, or Firm—Malin & Haley

[57]

CLAIM

The ornamental design for a table attachable seat for a child, as shown and described.

DESCRIPTION

FIG. 1 is a top view of a table attachable seat for a child; FIG. 2 is a side view of FIG. 1 the opposite side being a mirror image thereof; FIG. 3 is a bottom view of FIG. 1; FIG. 4 is a front view of FIG. 1; and FIG. 5 is a rear view of FIG. 1.

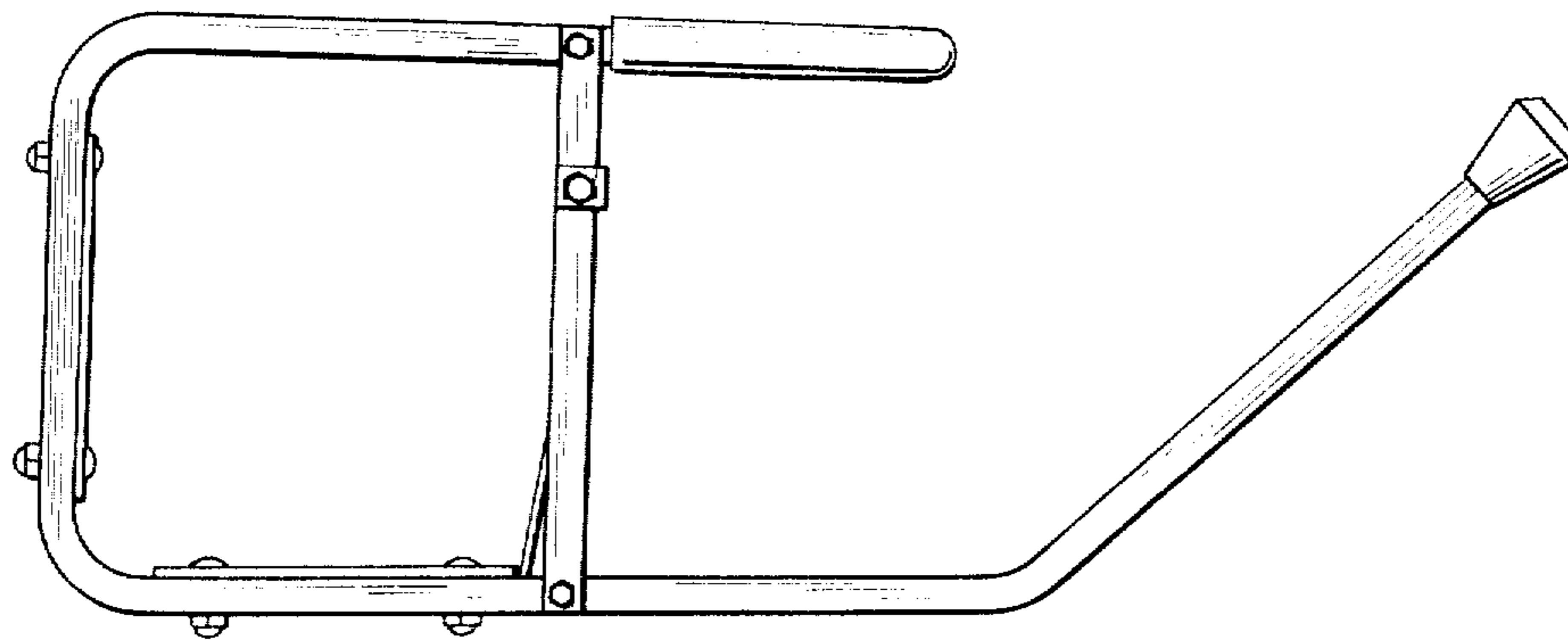


Fig. 1.

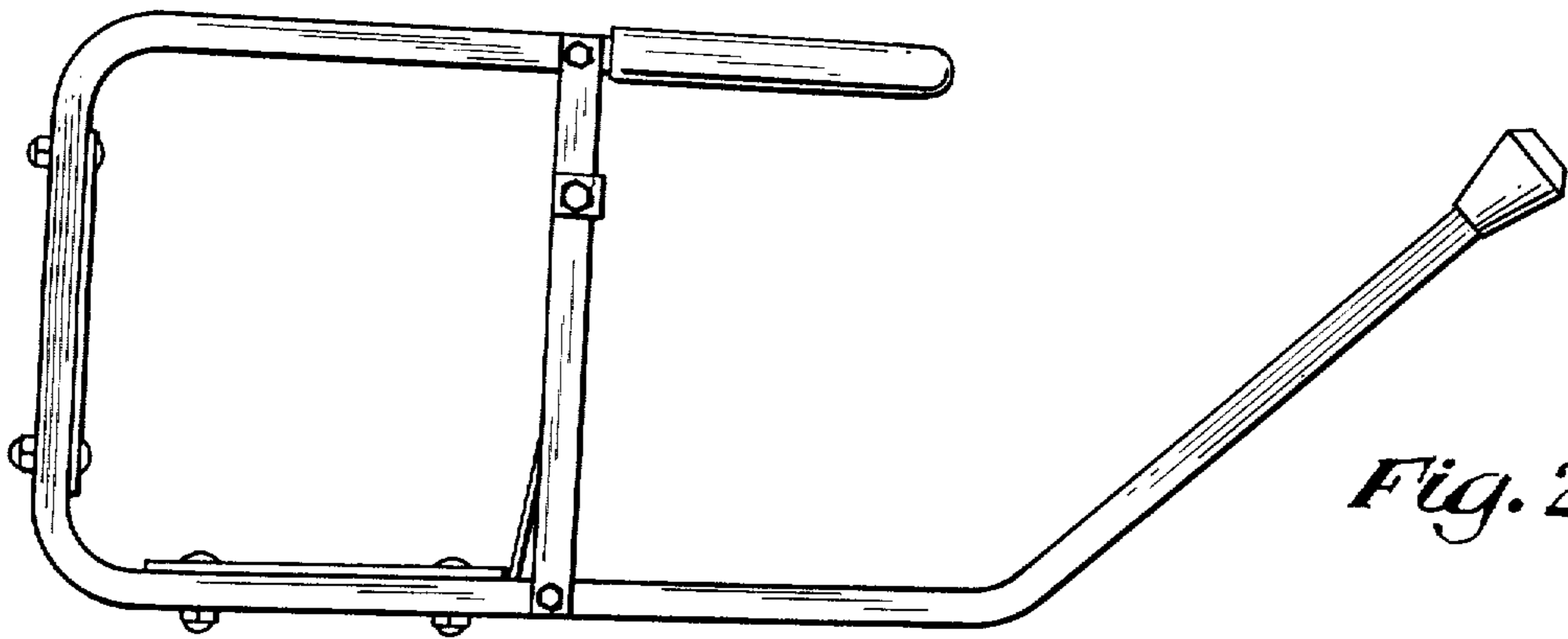
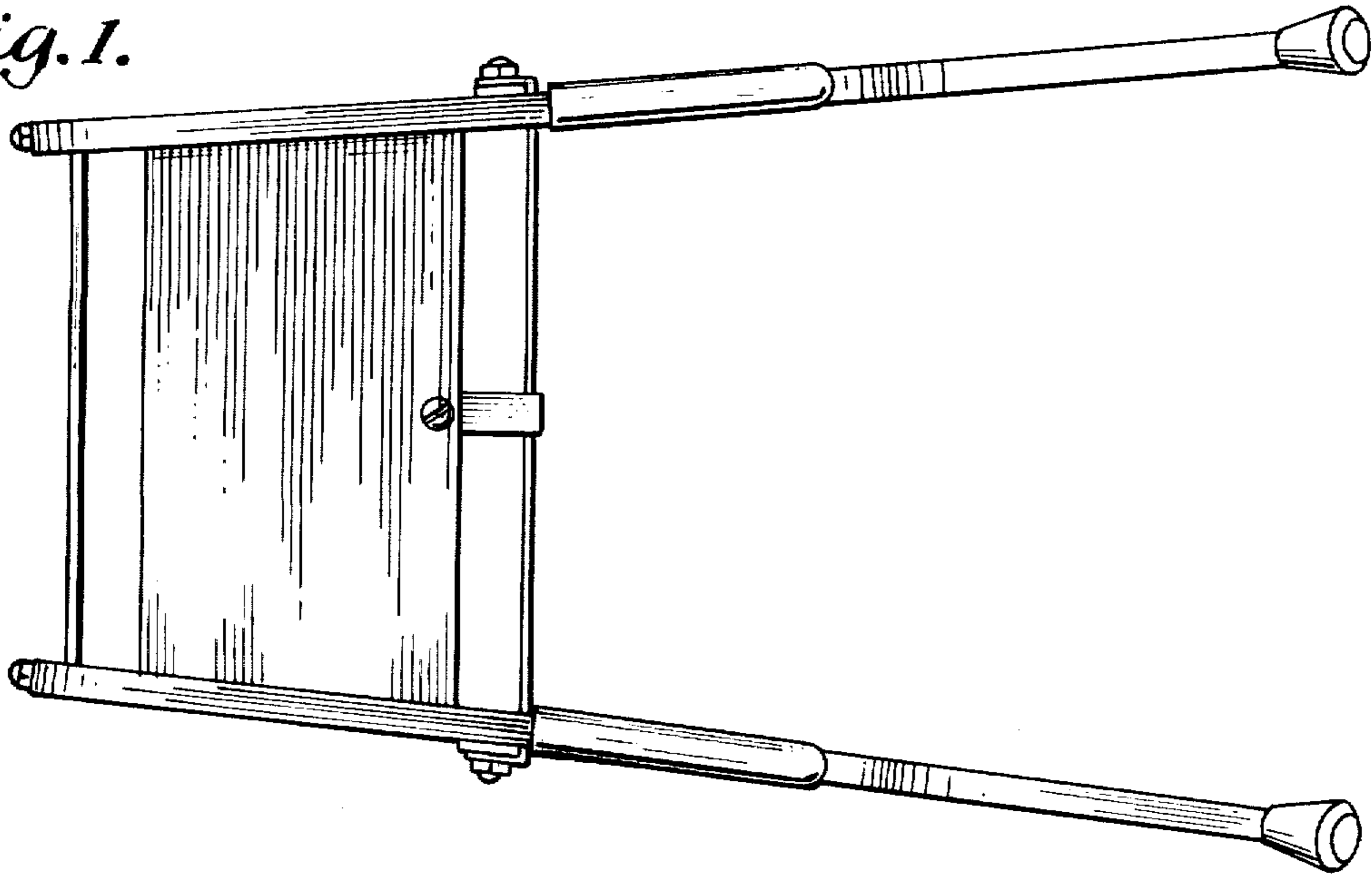


Fig. 2.

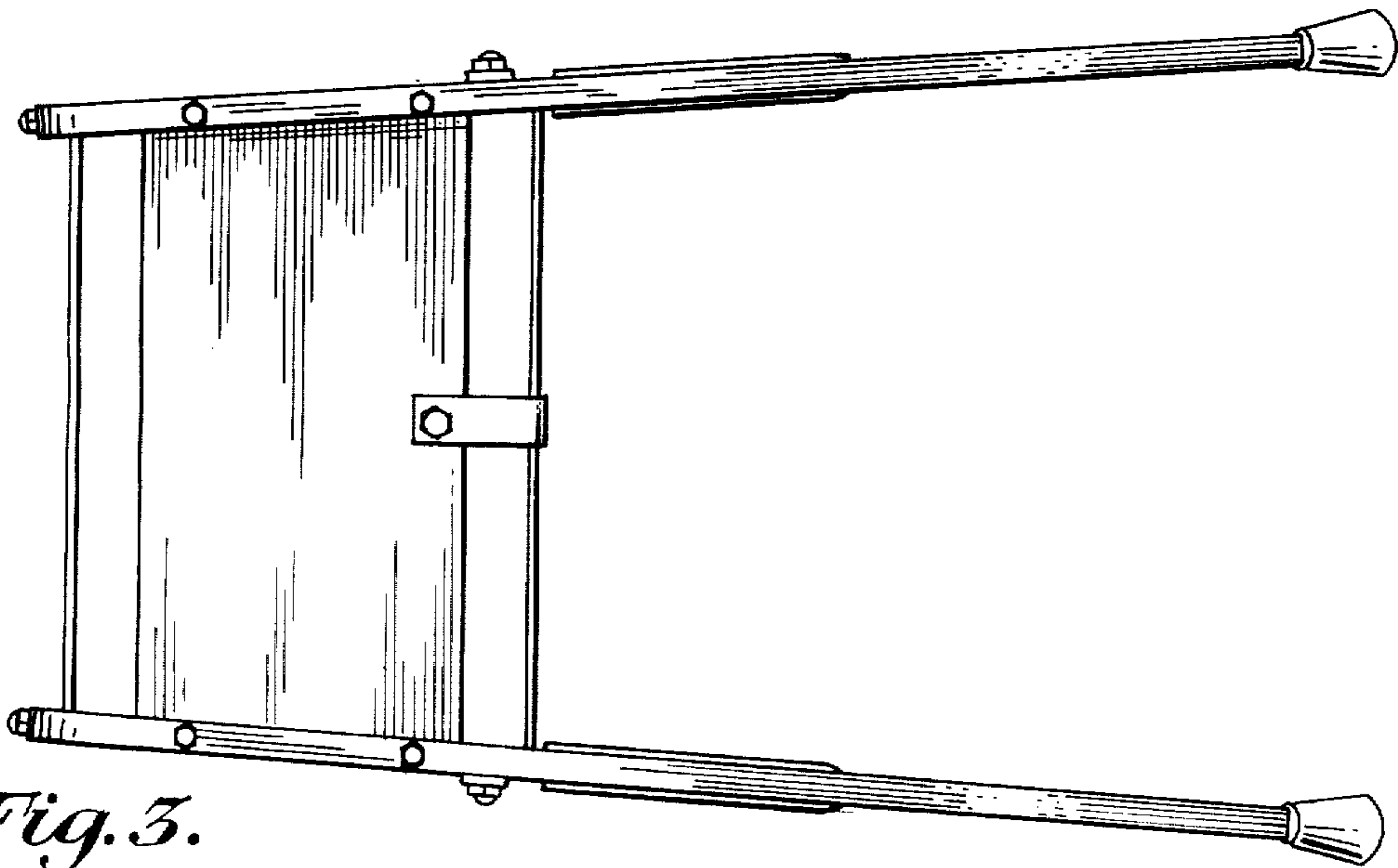


Fig. 3.

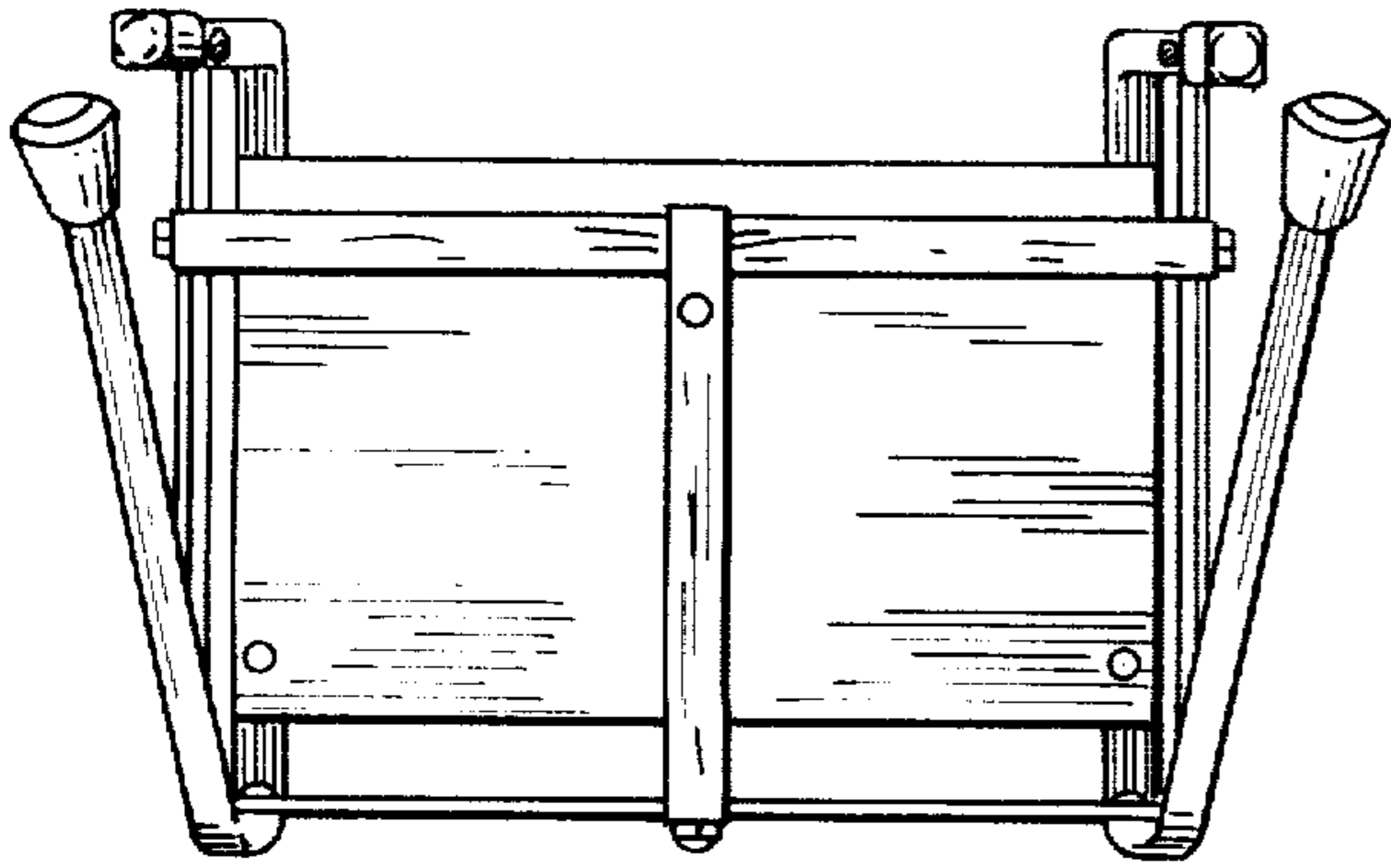


Fig. 4.

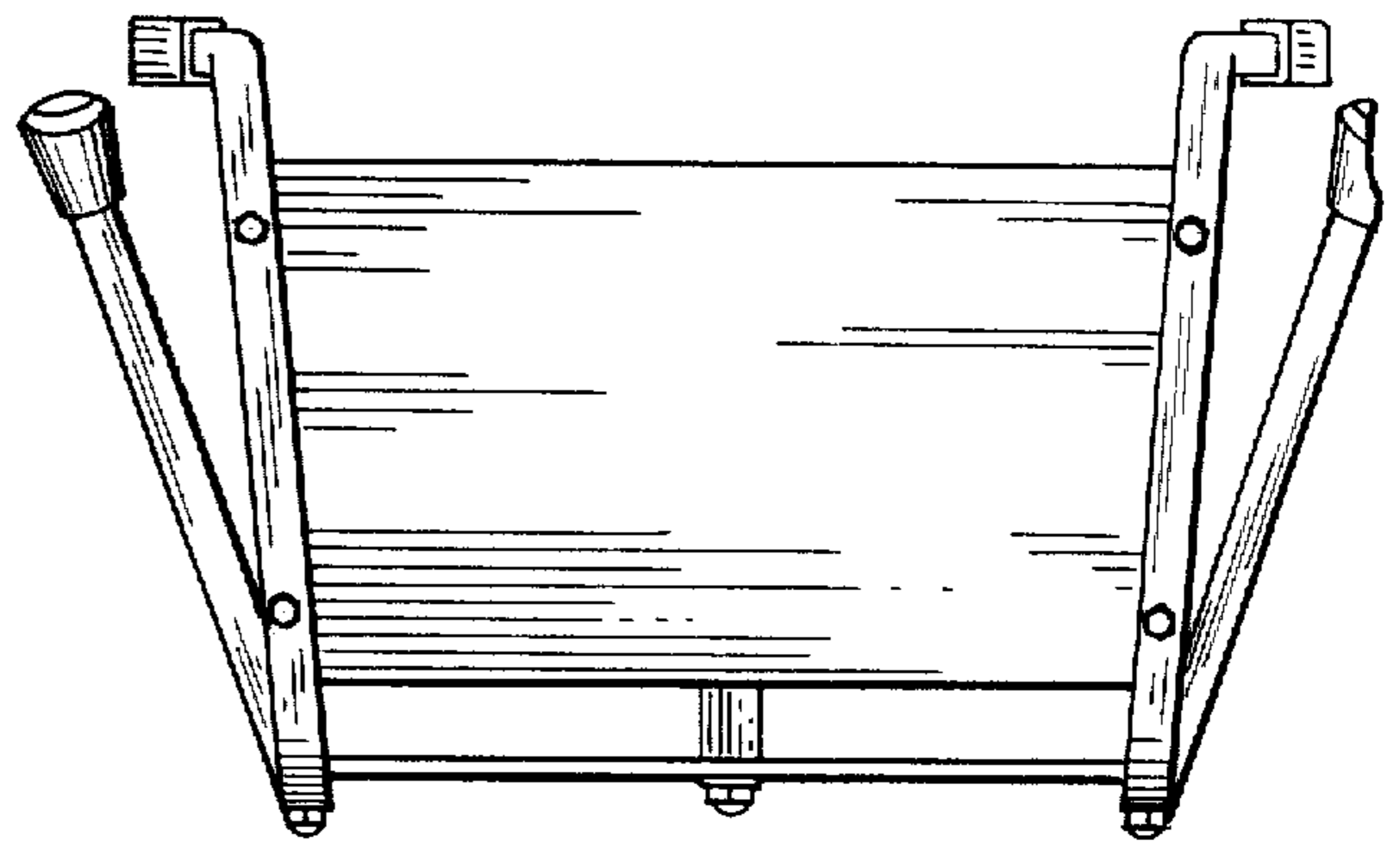


Fig. 5.