

[54] **LAMP BASE**

[76] **Inventor:** Abraham Franzblau, 726 S. Davis Blvd., Tampa, Fla. 33606

[**] **Term:** 14 Years

[21] **Appl. No.:** 64,471

[22] **Filed:** Aug. 7, 1979

[51] **Int. Cl.** D26—05

[52] **U.S. Cl.** D26/93

[58] **Field of Search** D26/24, 93, 102, 103, D26/104, 105, 106, 107, 108, 109, 110, 111, 112, 118, 120, 121, 122, 138, 152, 154; 362/410, 411, 412, 413, 414, 806, 395

[56] **References Cited**

U.S. PATENT DOCUMENTS

- D. 148,533 2/1948 Galehouse D26/110
 D. 241,367 9/1976 Emmel D26/106

OTHER PUBLICATIONS

Lighting and Lamps, 3-1947, p. 91, Lamp, (2nd from right).

Nelson Bead Co., Inc. Brochure, 12-1950, p. 2, Square Base Lamp #7021.

Primary Examiner—Susan J. Lucas
Attorney, Agent, or Firm—Frank P. Cyr

[57] **CLAIM**

The ornamental design for a lamp base, as shown and described.

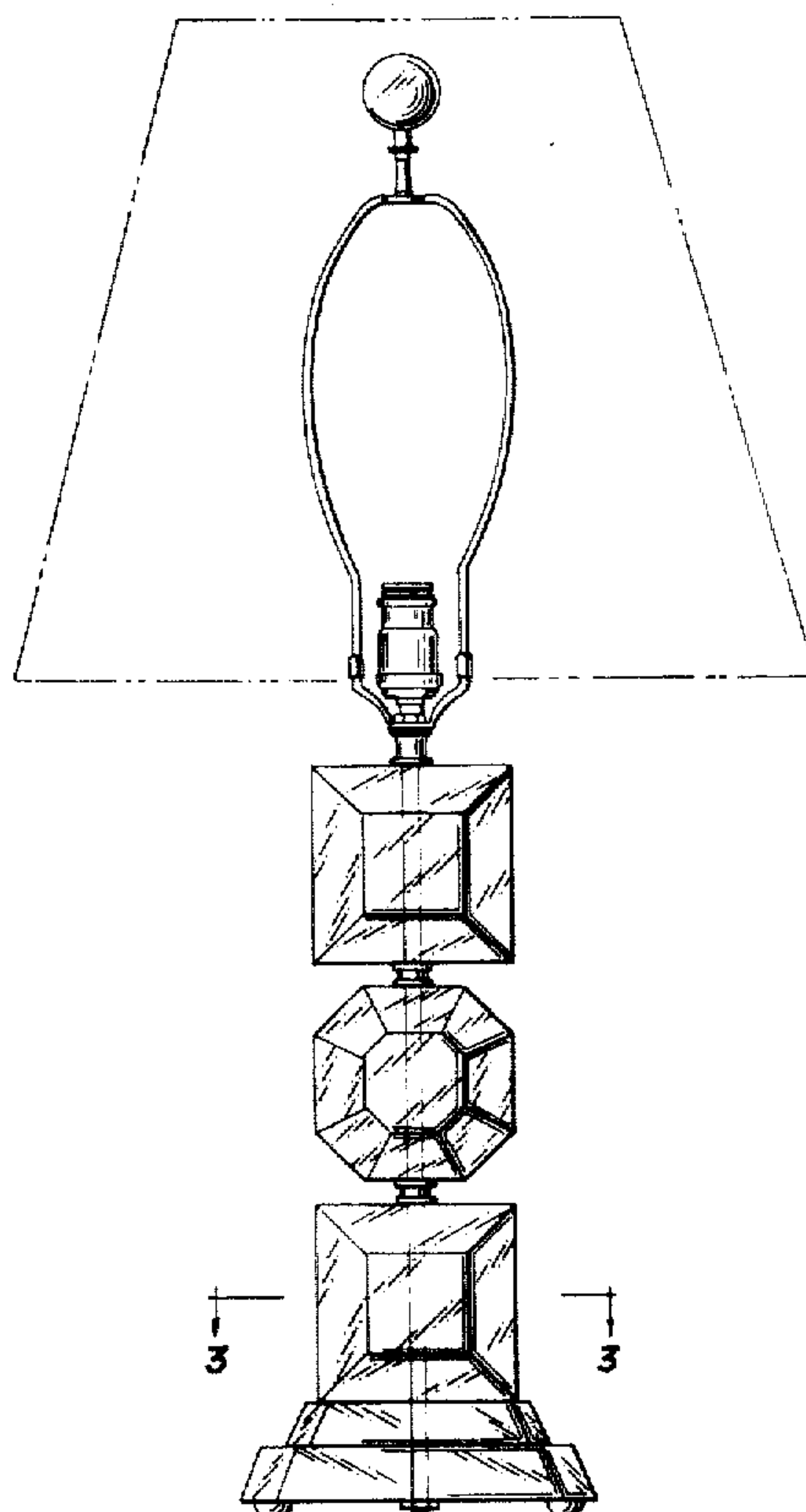
DESCRIPTION

FIG. 1 is a front elevation of a lamp base showing my new design;

FIG. 2 is a side elevation; and

FIG. 3 is a section taken on lines 3—3 of FIG. 1, looking in the direction of the arrows.

The shade is shown in broken lines for illustrative purposes only.



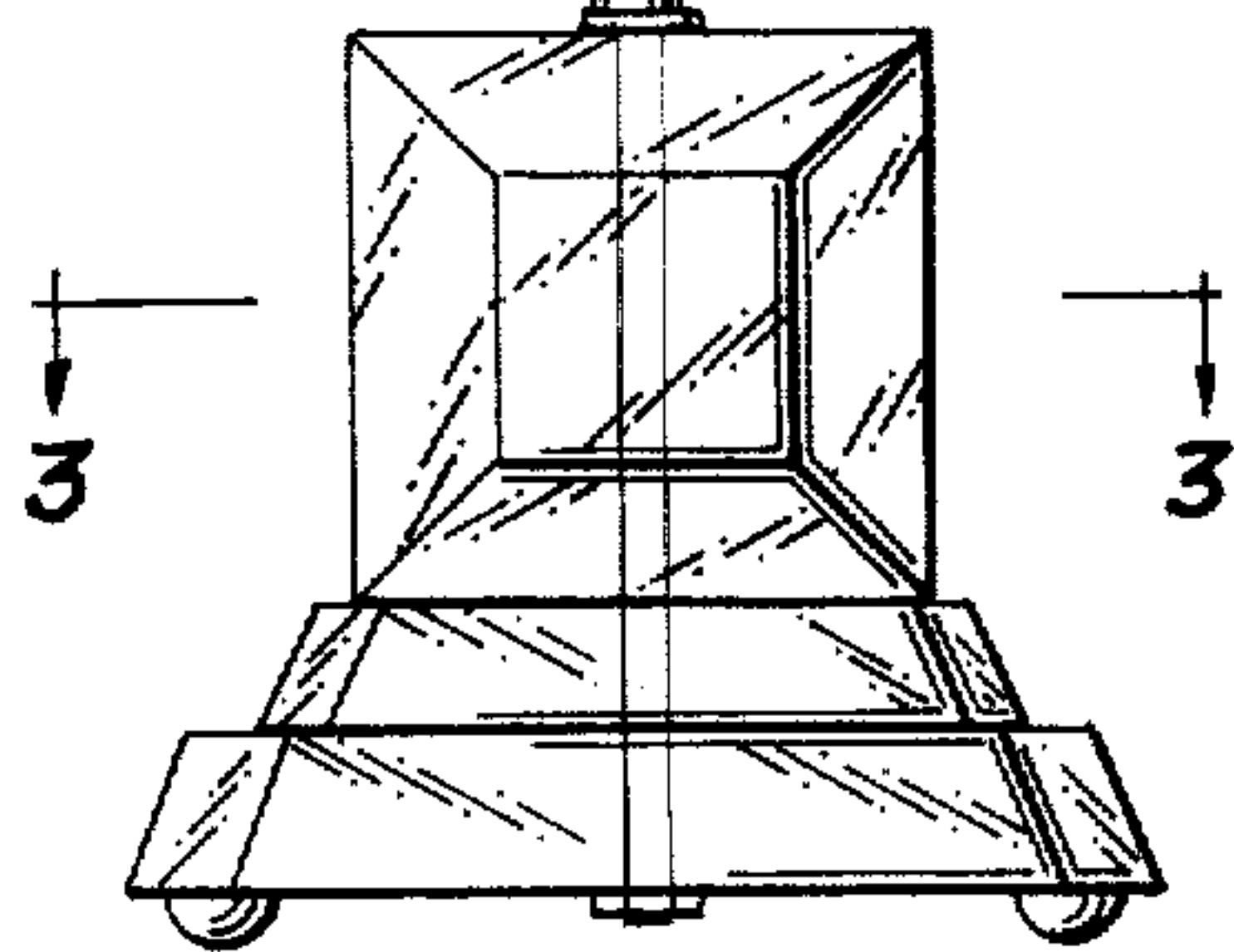
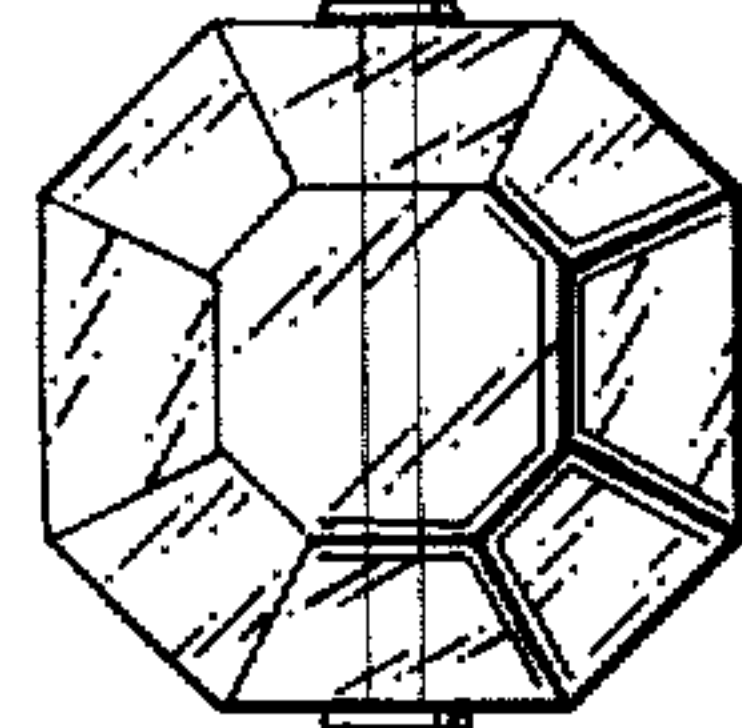
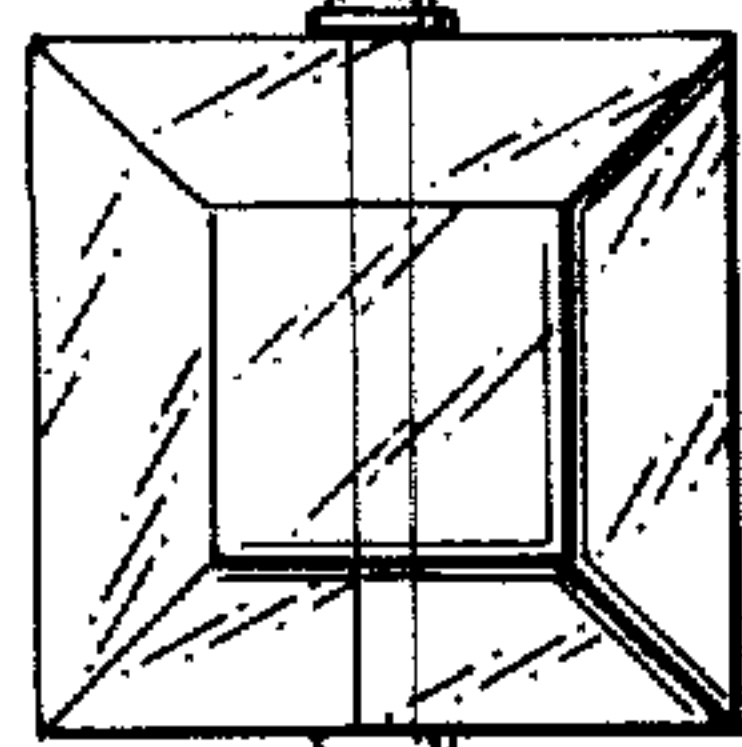
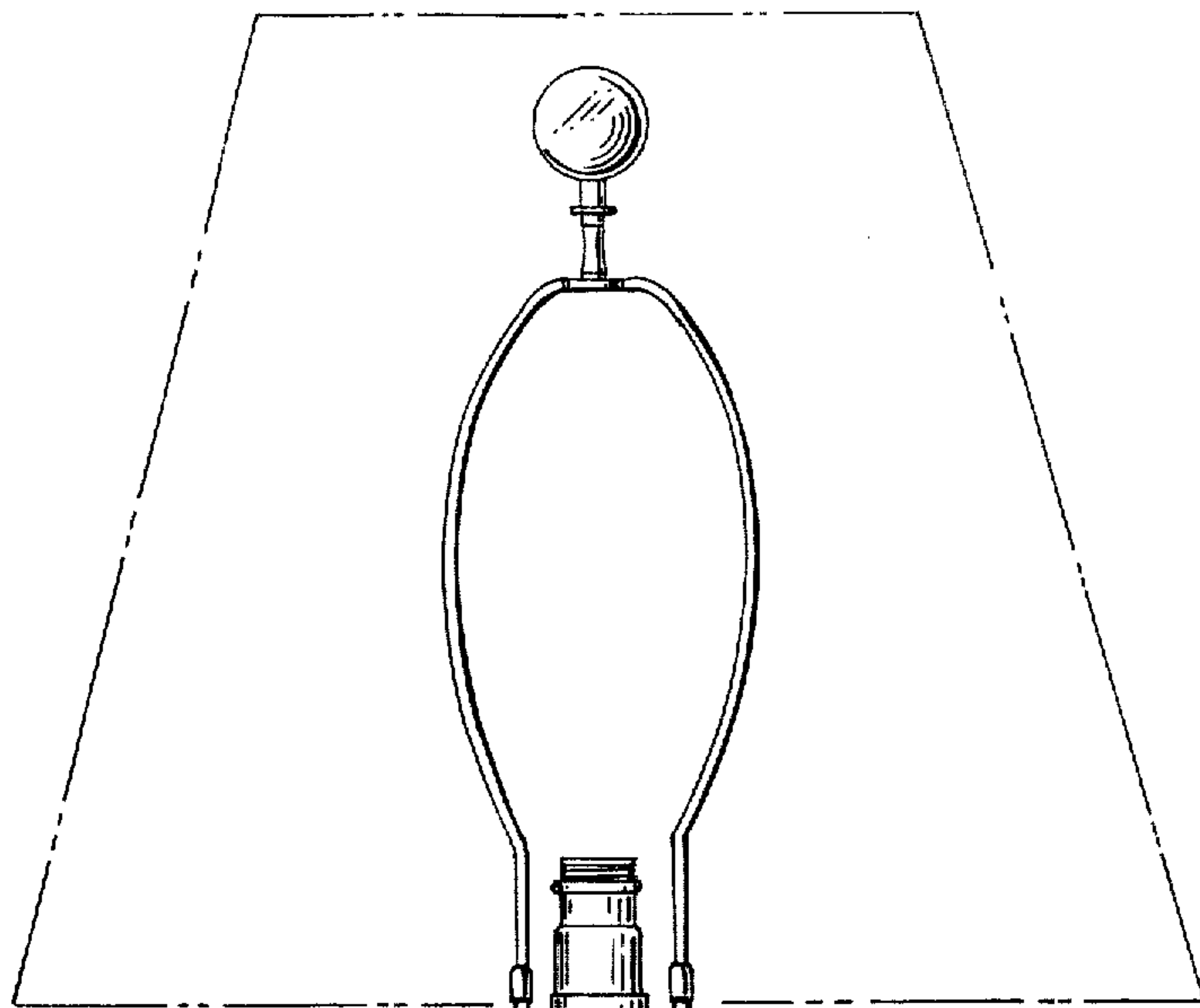


Fig. 1

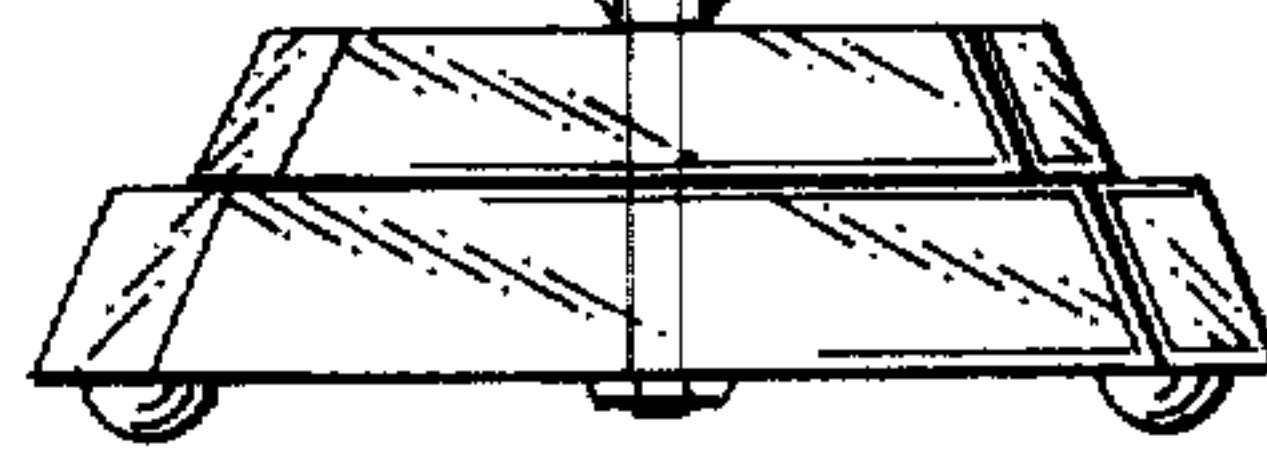
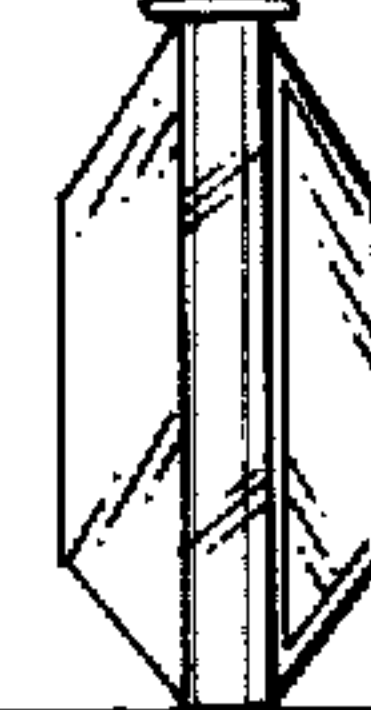
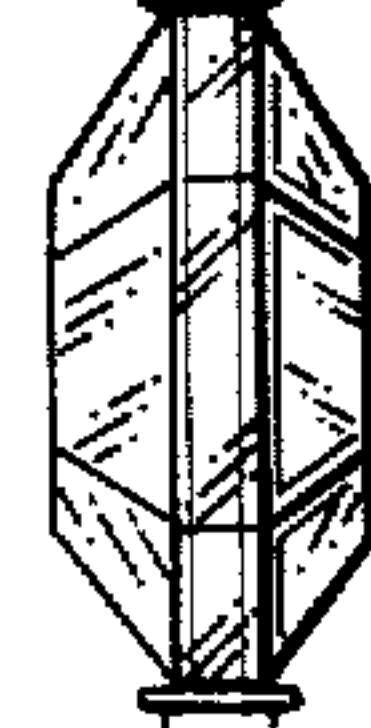
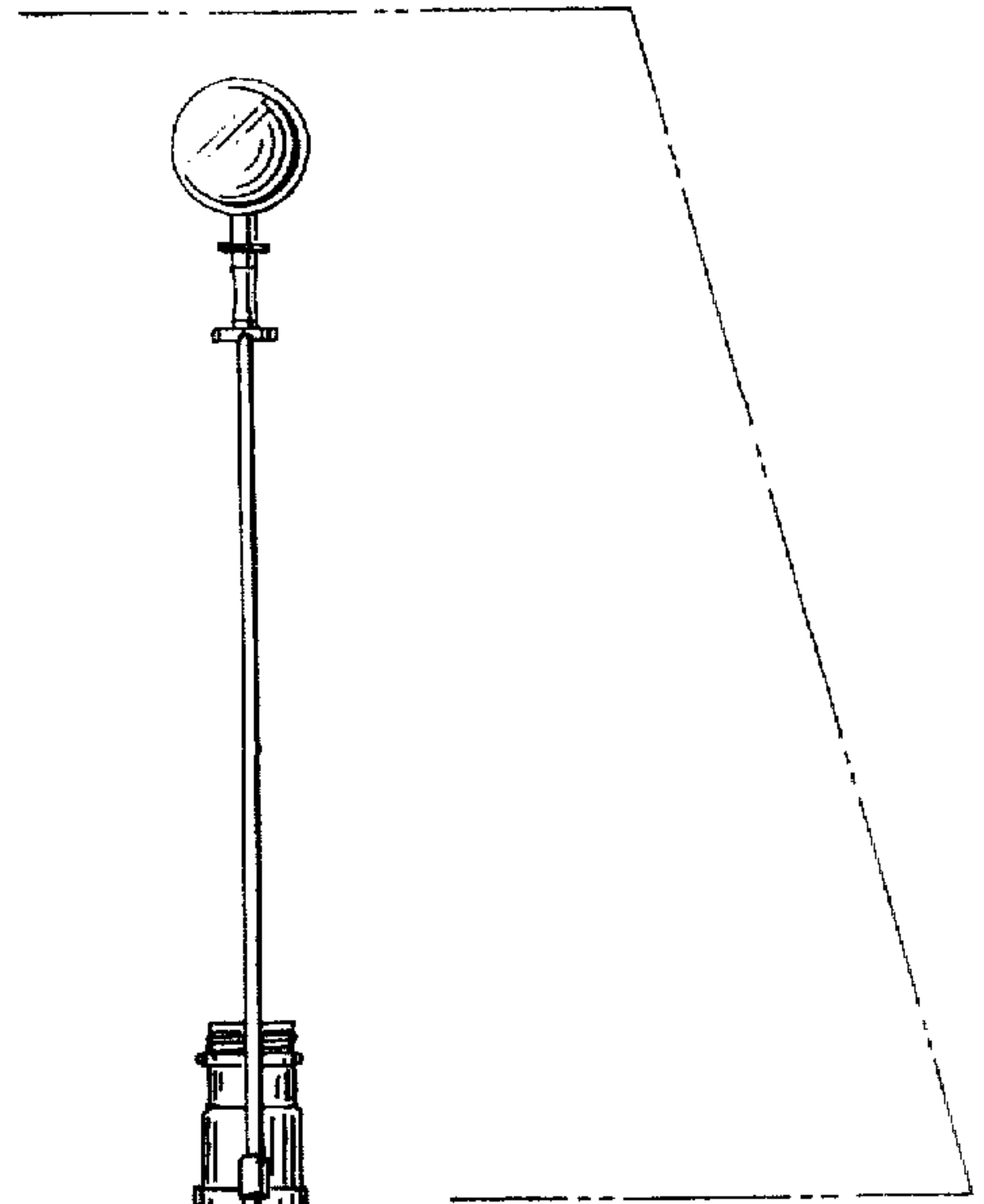


Fig. 2

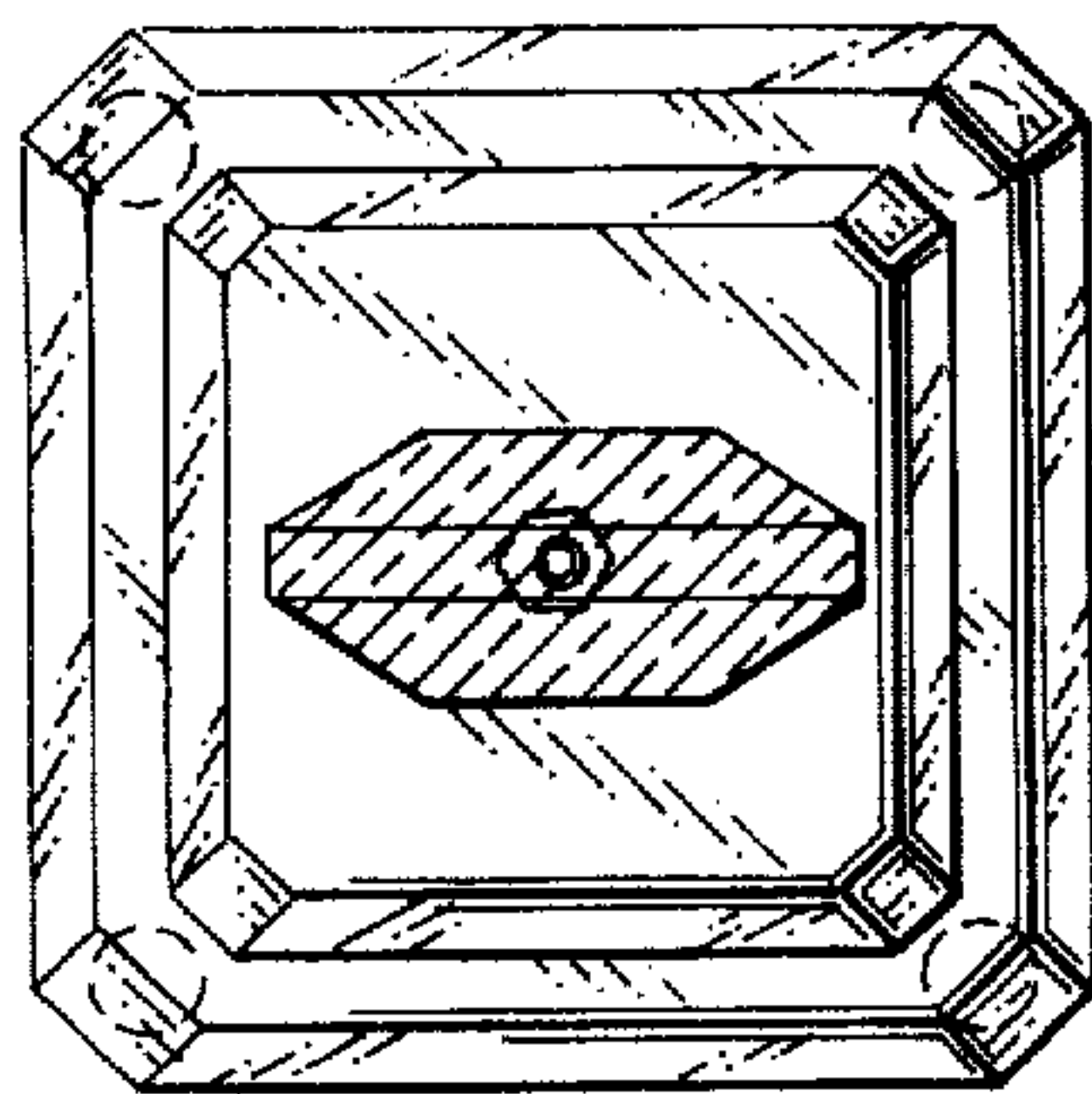


Fig. 3