

[54] **LIGHT FIXTURE**

[76] Inventor: **Fredrick R. Glassman**, 16121 S. Carmenita Rd., Cerritos, Calif. 90701

[\*\*] Term: **14 Years**

[21] Appl. No.: **38,369**

[22] Filed: **May 11, 1979**

[51] Int. Cl. .... **D26-05**

[52] U.S. Cl. .... **D26/83; D26/85**

[58] Field of Search ..... **D26/24, 72, 74, 80, D26/81, 82, 83, 84, 85, 86, 88, 89, 90, 91, 92; 362/806, 404, 405-406, 407, 408, 350, 351, 353, 354, 355, 362, 363, 227, 233-235, 236, 237, 238, 239, 240, 241, 242, 244, 245, 246, 249, 250**

[56] **References Cited**

**U.S. PATENT DOCUMENTS**

D. 239,729 4/1976 Alabardo ..... **D26/83**

**OTHER PUBLICATIONS**

Home Lighting & Accessories, May 1977, p. 10, Ceiling Fixture (top right).

Imperialites Catalog, 1971, p. 46-Ceiling Fixture #L278.

Lightcraft of California Catalog #18, 1971, p. 7, Ceiling Fixture #411-30-25.

Lightolier Light Catalog ©1970, p. 16, Ceiling Fixture #5683.

*Primary Examiner*—Susan J. Lucas

*Attorney, Agent, or Firm*—Blakely, Sokoloff, Taylor & Zafman

[57] **CLAIM**

The ornamental design for a light fixture, as shown and described.

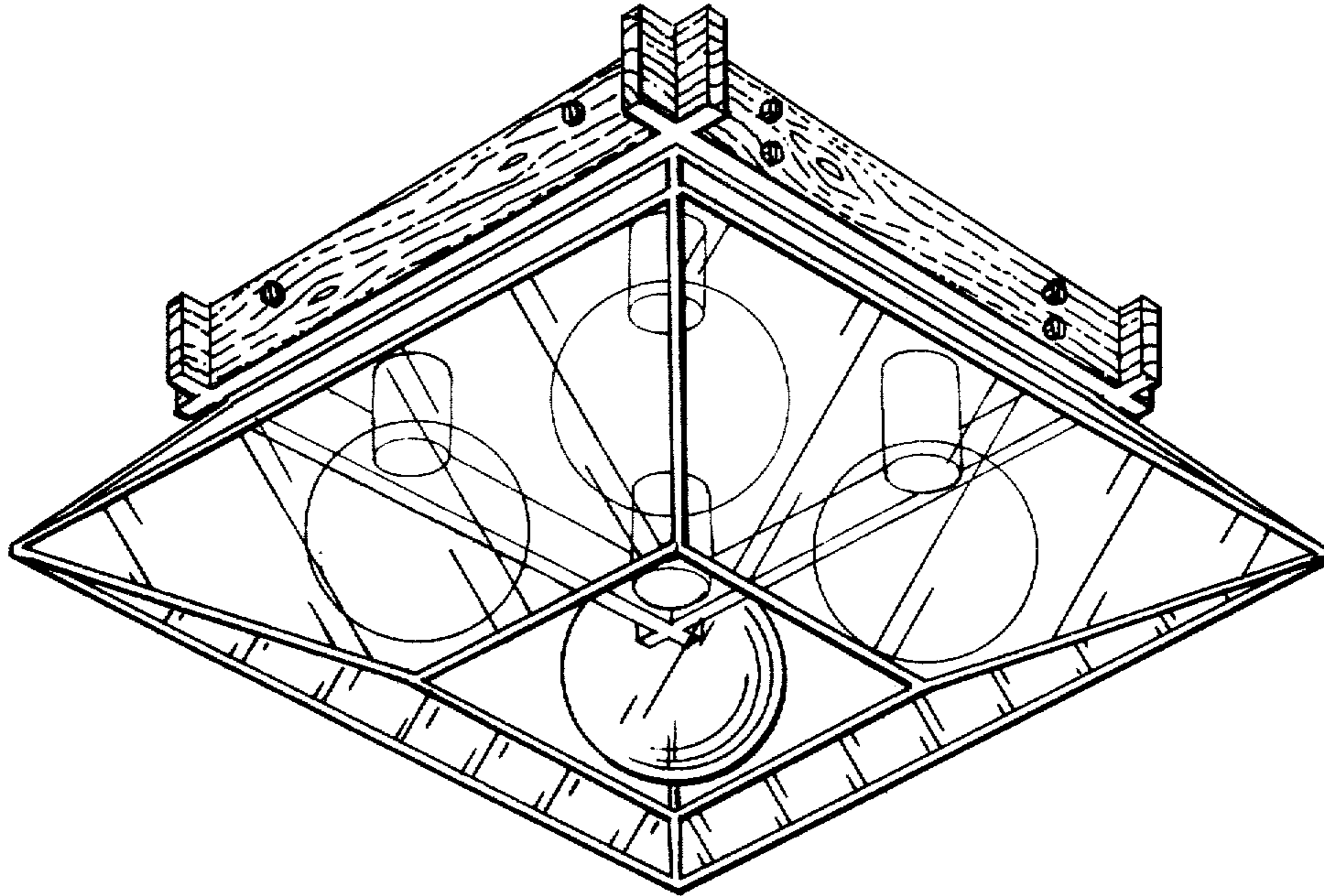
**DESCRIPTION**

FIG. 1 is a pictorial view of the light fixture, showing my new design, and looking up thereto;

FIG. 2 is a top view thereof;

FIG. 3 is a bottom view thereof;

FIG. 4 is a side elevation thereof; while the other three side elevations are substantially similar.



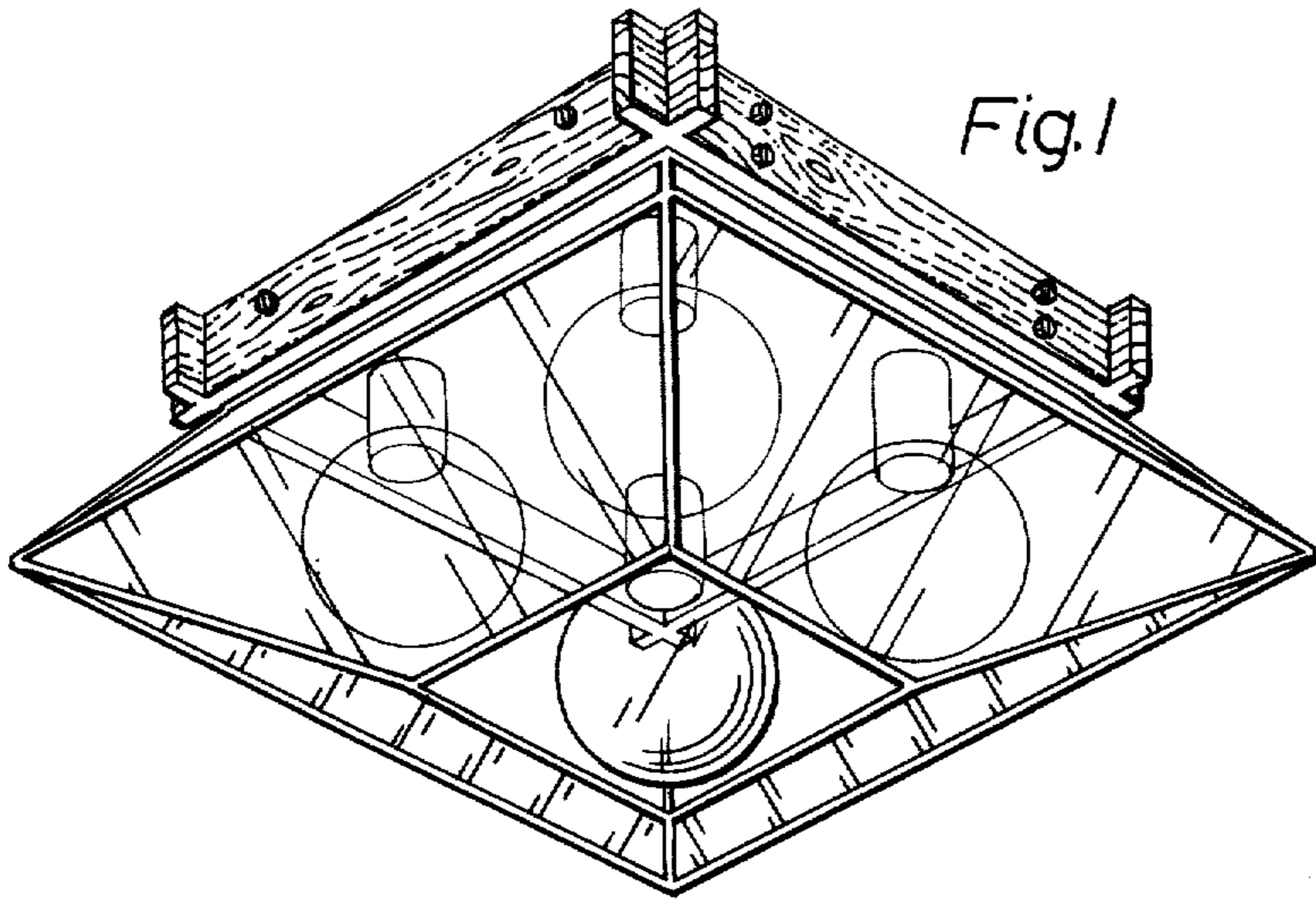


Fig. 2

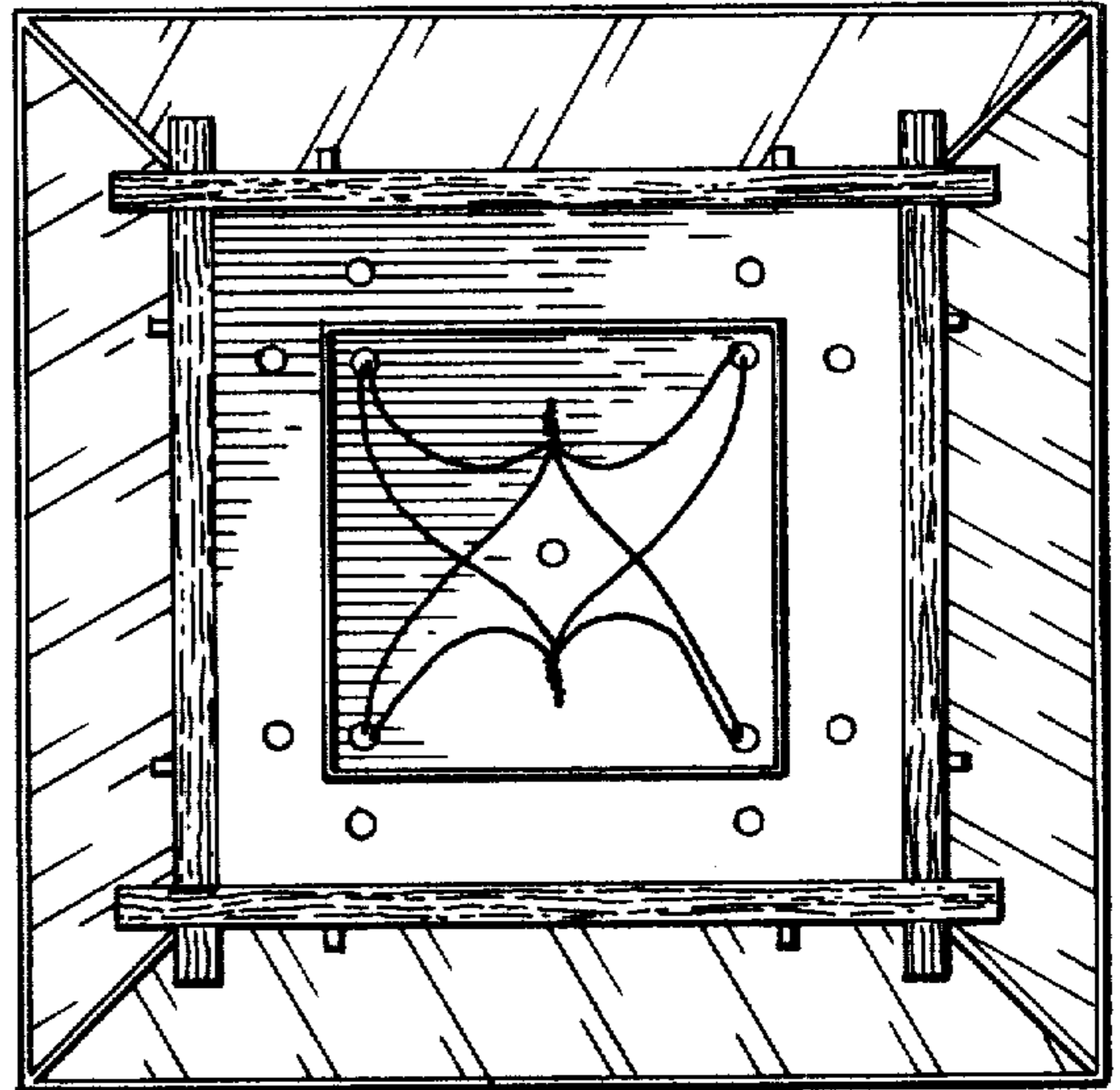


Fig. 3

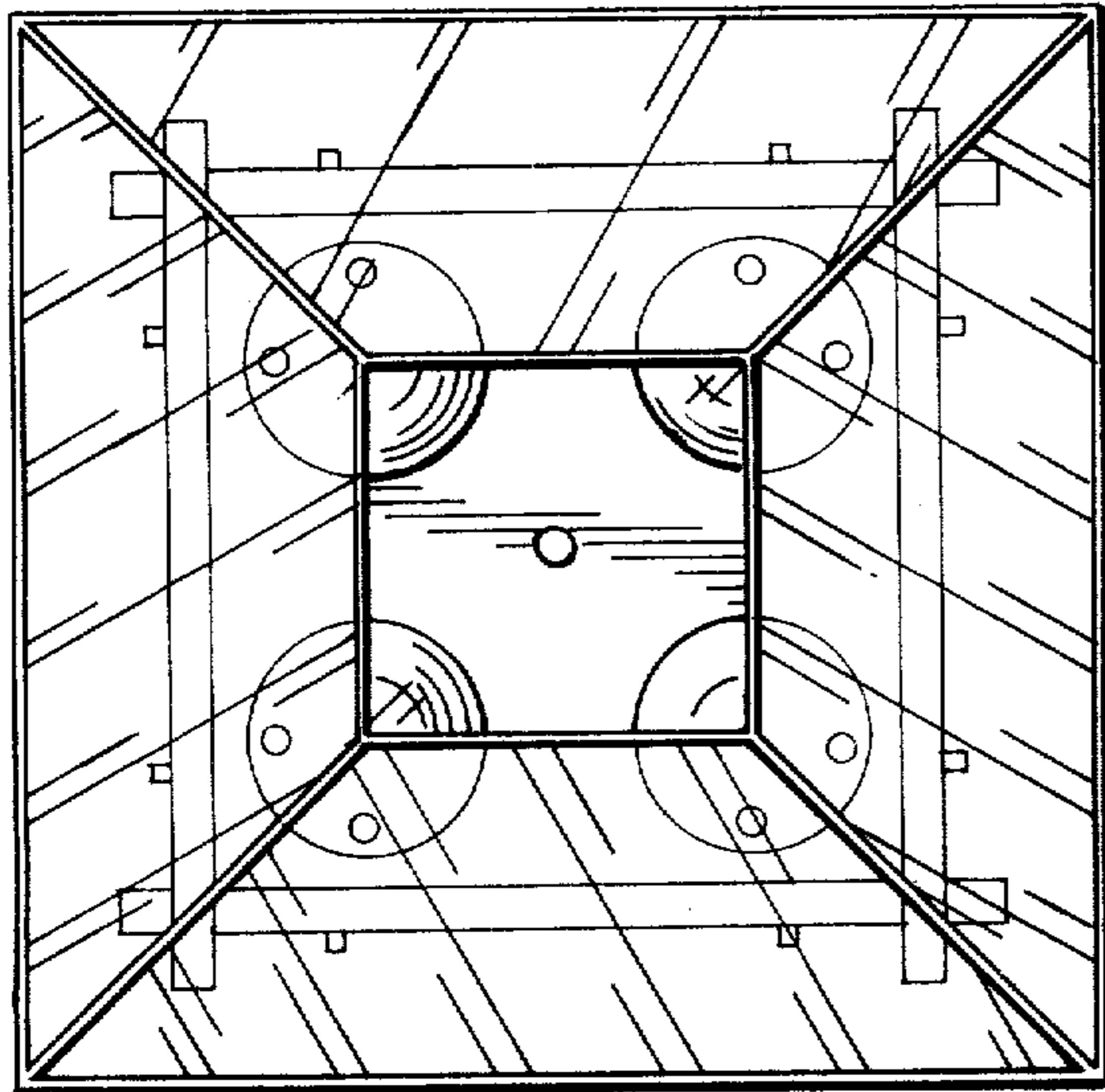


Fig. 4

