

[54] WINDOW COMPONENT EXTRUSION

[76] Inventor: Raymond Dallaire, P.O. Box 220,
Lévis, P. Q., Calif.X

[**] Term: 14 Years

[21] Appl. No.: 145,263

[22] Filed: Apr. 30, 1980

[30] Foreign Application Priority Data

Nov. 14, 1979 [FR] France 78029

[51] Int. Cl. D25-01

[52] U.S. Cl. D25/74

[58] Field of Search 49/413, 419, 423, 469,
49/501, 504; D25/52, 74

[56] References Cited

U.S. PATENT DOCUMENTS

D. 225,218 11/1972 Dallaire et al. D25/74
3,383,801 5/1968 Dallaire 49/413 X
3,731,430 5/1973 Dallaire et al. D25/74 X

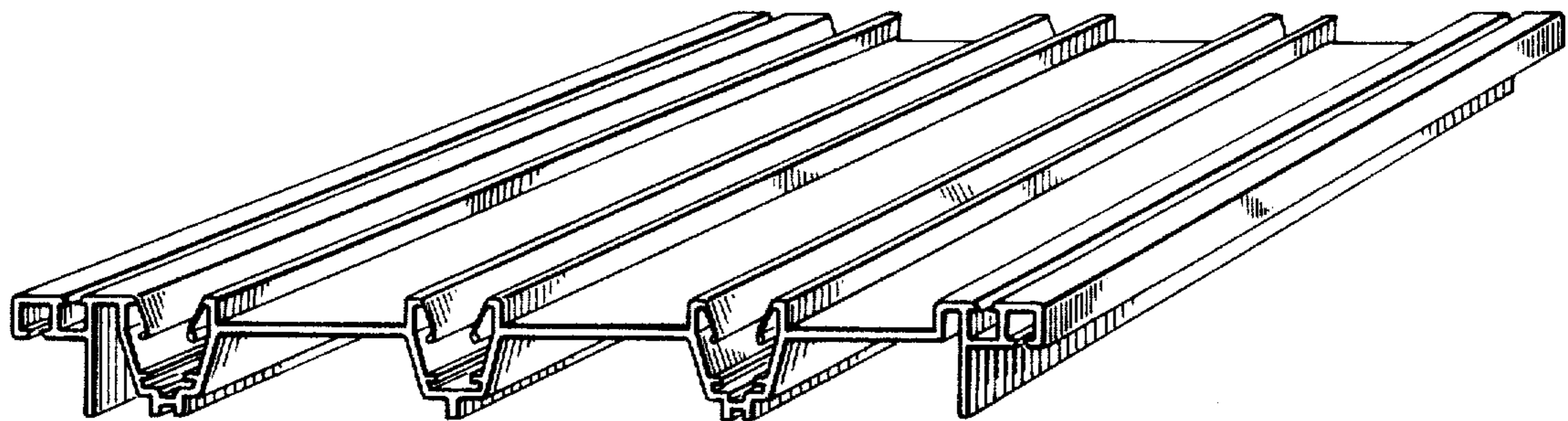
Primary Examiner—A. Hugo Word
Attorney, Agent, or Firm—Cushman, Darby & Cushman

[57] CLAIM

The ornamental design for a window component extrusion, as shown.

DESCRIPTION

FIG. 1 is a perspective of one side of the extrusion, and FIG. 2 is a corresponding perspective from the opposite side of the extrusion compared to FIG. 1.



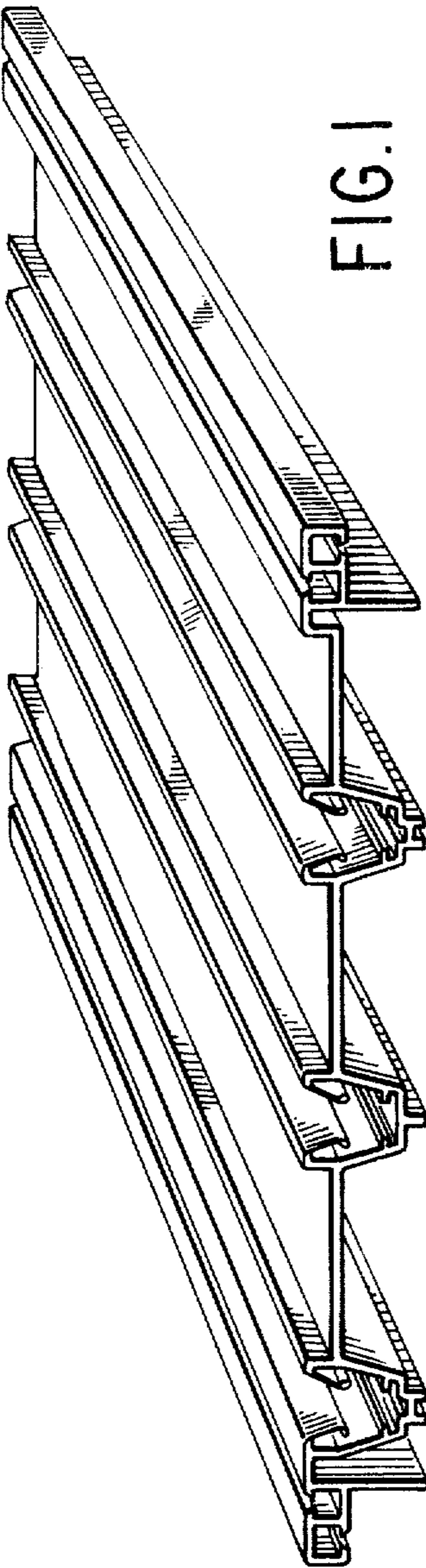


FIG. 1

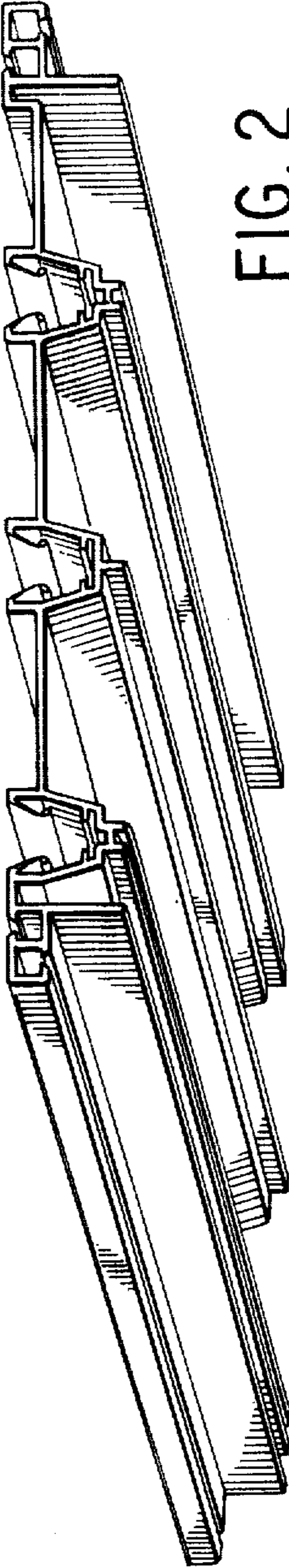


FIG. 2