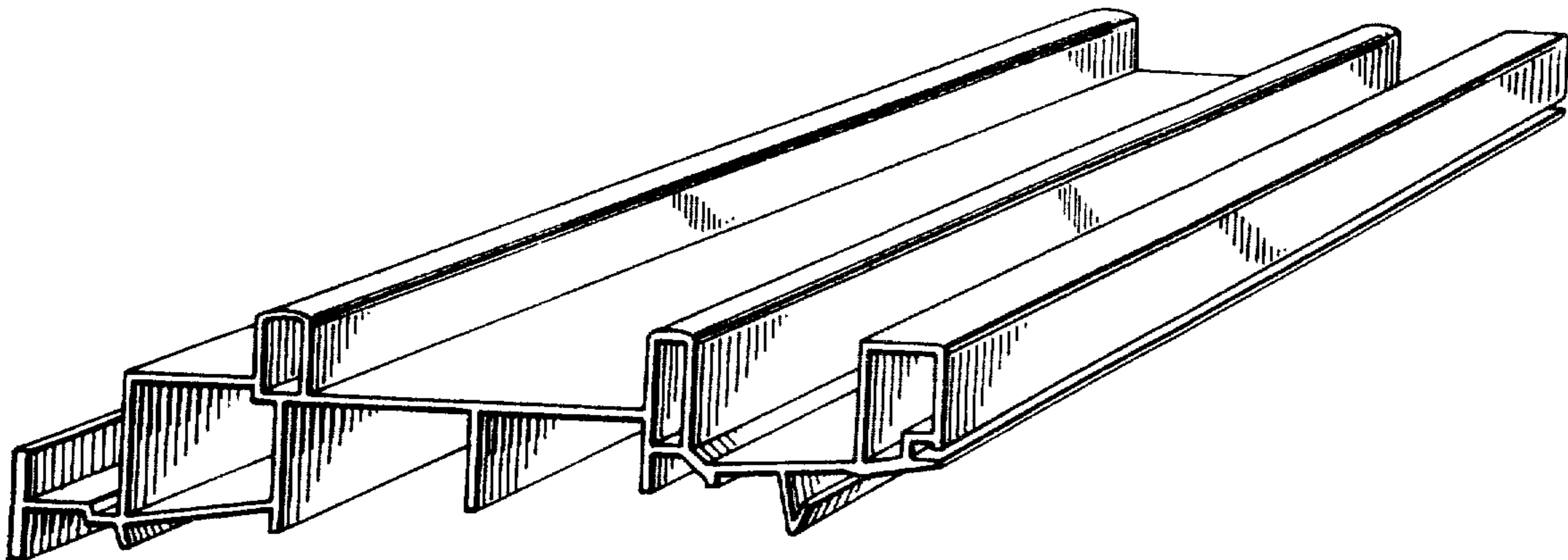


[54] **WINDOW COMPONENT EXTRUSION**  
[76] **Inventor: Raymond Dallaire, P.O. Box 220,  
Lévis, Quebec, Canada**  
[\*\*] **Term: 14 Years**  
[21] **Appl. No.: 145,132**  
[22] **Filed: Apr. 30, 1980**  
[30] **Foreign Application Priority Data**  
Nov. 14, 1979 [FR] France ..... 78029  
[51] **Int. Cl. .... D25-01**  
[52] **U.S. Cl. .... D25/74**  
[58] **Field of Search .... 49/413, 419, 423, 469,  
49/501, 504; D25/52, 74**

[56] **References Cited**  
**U.S. PATENT DOCUMENTS**  
D. 246,601 12/1977 Dallaire ..... D25/74  
3,600,854 8/1971 Dallaire et al. .... D25/52 X  
3,731,430 5/1973 Dallaire et al. .... D25/74 X  
*Primary Examiner—A. Hugo Word*  
*Attorney, Agent, or Firm—Cushman, Darby & Cushman*

[57] **CLAIM**  
The ornamental design for a window component extrusion, as shown.

**DESCRIPTION**  
FIG. 1 is a perspective of one side of the extrusion, and FIG. 2 is a corresponding perspective from the opposite side of the extrusion compared to FIG. 1.



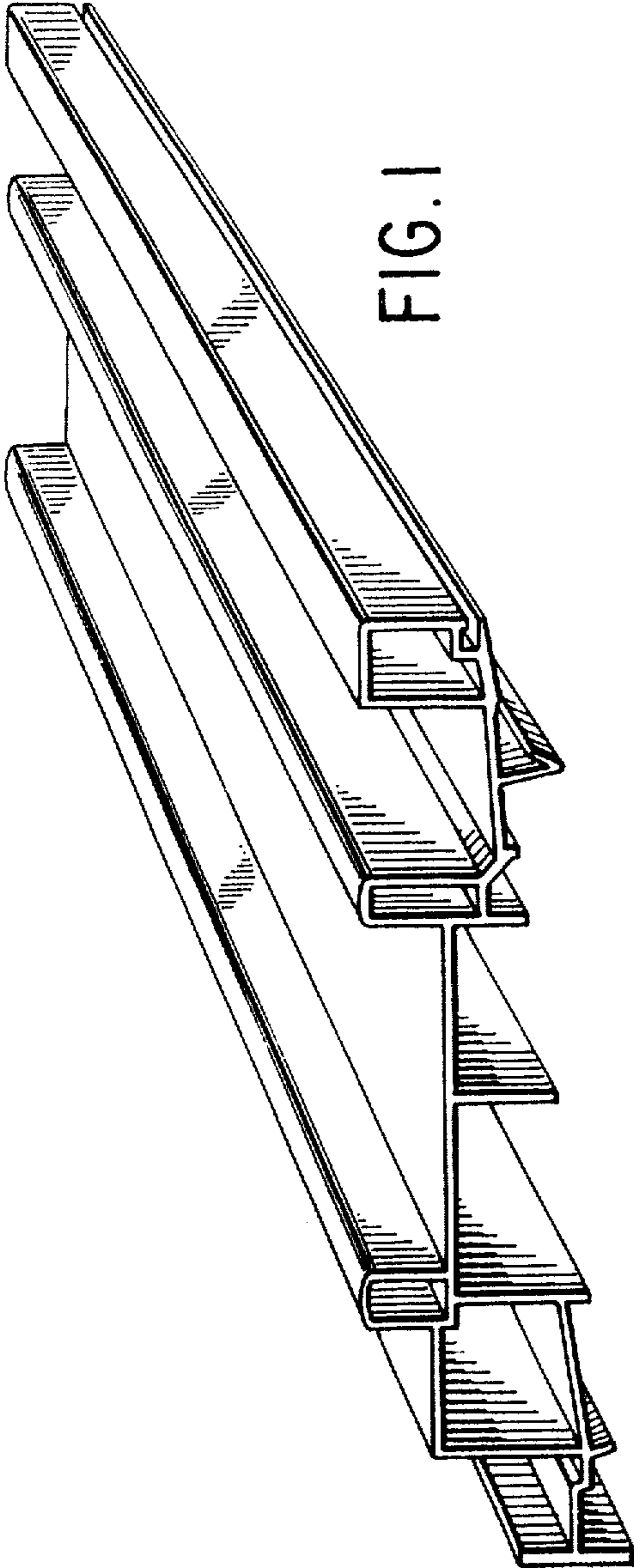


FIG. 1

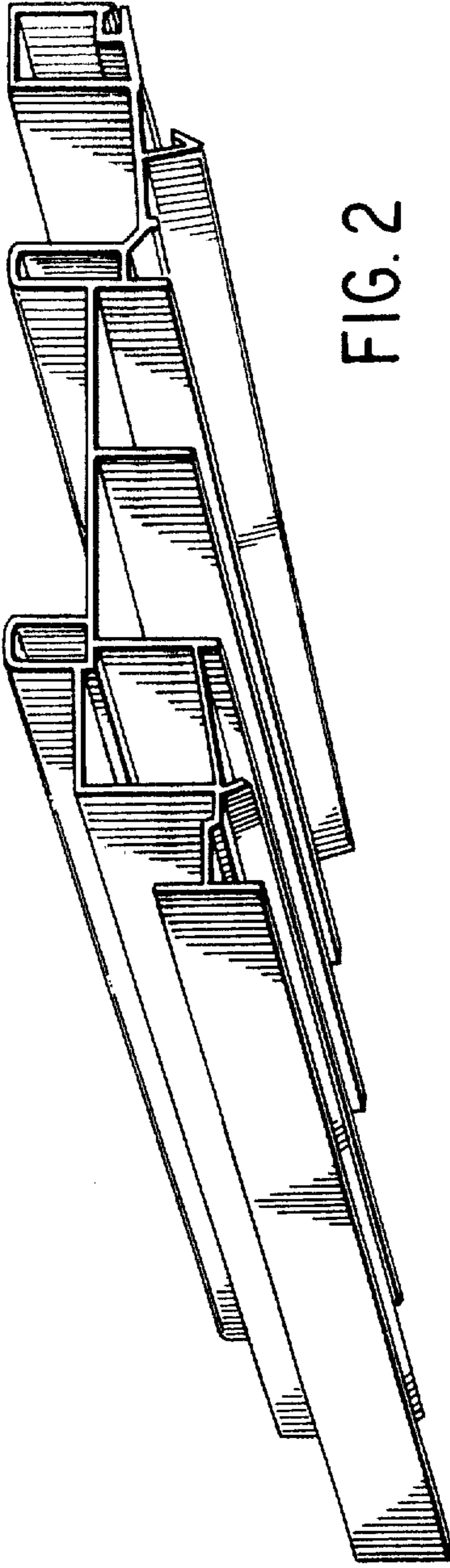


FIG. 2