

[54] WINDOW COMPONENT EXTRUSION

[56] References Cited

[76] Inventor: Jack V. Miller, 700 N. Auburn Ave.,
Sierra Madre, Calif. 91024

[**] Term: 14 Years

[21] Appl. No.: 87,109

[22] Filed: Oct. 22, 1979

[51] Int. Cl. D25-01

[52] U.S. Cl. D25/74

[58] Field of Search D25/52, 73, 74, 75,
D25/76, 77, 78, 79; 52/475, 476, 716, 731;
49/394, 489, 505, 463

U.S. PATENT DOCUMENTS

D. 208,533	9/1967	Anderson	D25/74 X
D. 249,366	9/1978	Jury	D25/74 X
D. 250,604	12/1978	Roesch	D25/74 X
D. 253,131	10/1979	Broadbent	D25/74 X
2,736,403	2/1956	Gwynne	D25/74 X
3,455,080	7/1969	Meadows	D25/74 X

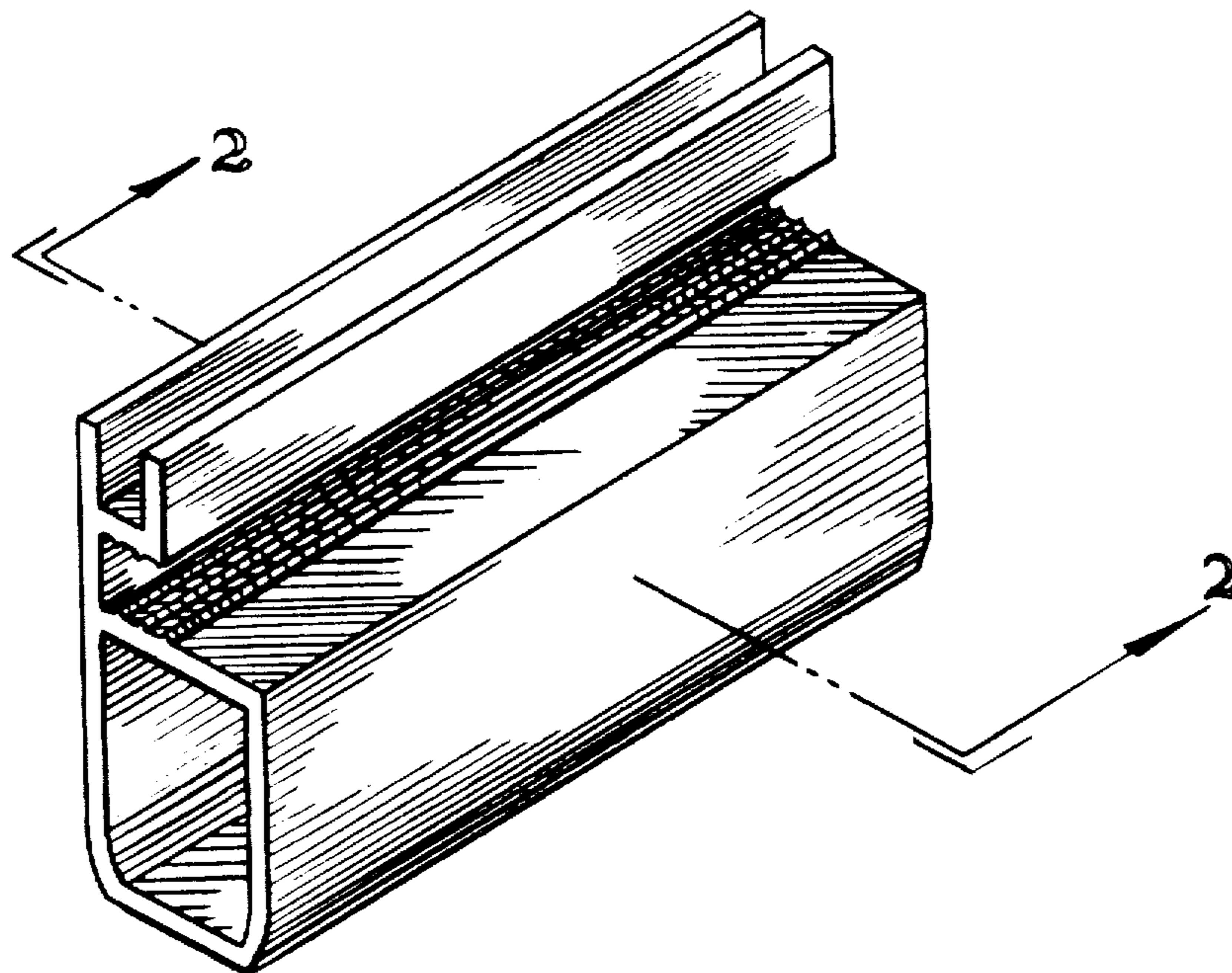
Primary Examiner—A. Hugo Word

[57] CLAIM

The ornamental design for a window component extrusion, substantially as shown and described.

DESCRIPTION

FIG. 1 is a perspective view of a window component extrusion showing my new design; and FIG. 2 is a cross-sectional view thereof, taken on line 2-2 of FIG. 1.



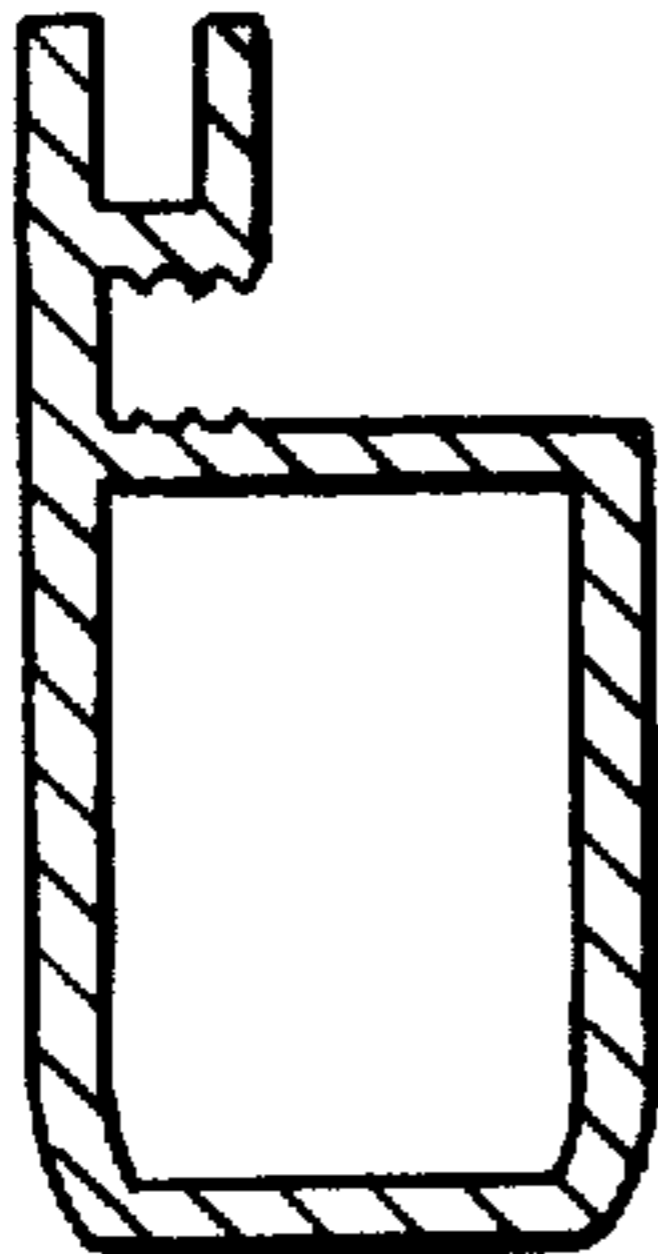


FIG. 2

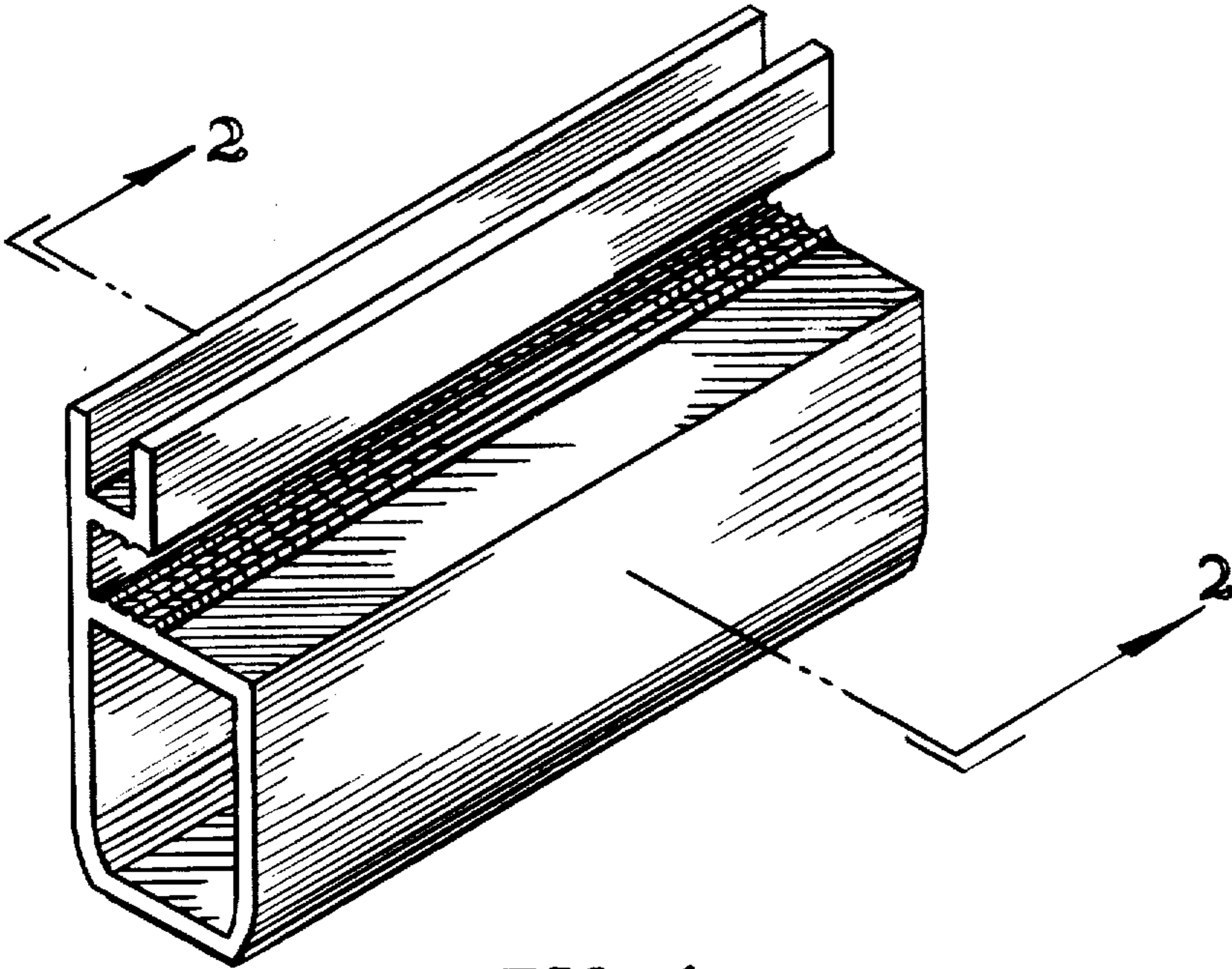


FIG. 1