

[54] CAST CUTTER

- [75] Inventor: Robert P. Straub, Baltimore, Md.
- [73] Assignee: Black & Decker Inc., Newark, Del.
- [**] Term: 14 Years
- [21] Appl. No.: 86,204
- [22] Filed: Oct. 17, 1979

- [51] Int. Cl. D24-02
- [52] U.S. Cl. D24/28; D8/61; D8/64
- [58] Field of Search 30/276, 124, 166, 392, 30/133; 128/317; D8/61, 68, 64, 66; D24/28, 8; 51/170 PT, 273

[56] References Cited

U.S. PATENT DOCUMENTS

D. 198,423	6/1964	Cummins	D24/28
D. 239,331	3/1976	Treace	D24/28
2,427,580	9/1947	Stryker	30/166
3,091,851	6/1963	Cummins	30/392 X
3,103,069	9/1963	Gary	30/124
3,199,194	8/1965	Shaheen	D24/28 X
3,214,869	11/1965	Stryker	51/273
3,481,036	12/1969	Slaughter	30/124

OTHER PUBLICATIONS

Wright Manufacturing Co., ©1966, p. 149, Bishop Electric Bone Saw.

Primary Examiner—Bernard Ansher
 Attorney, Agent, or Firm—Harold Weinstein; Edward D. Murphy; Walter Ottesen

[57] CLAIM

The ornamental design for a cast cutter, as shown and described.

DESCRIPTION

FIG. 1 is a side elevational view of a cast cutter with the front thereof facing leftwardly;
 FIG. 2 is a side elevational view of a cast cutter with the front thereof facing rightwardly; showing my new design;
 FIG. 3 is a bottom plan view of the device shown in FIG. 1;
 FIG. 4 is a top plan view of the device shown in FIG. 1;
 FIG. 5 is a rear elevational view of the device shown in FIG. 1; and
 FIG. 6 is a front elevational view of the device shown in FIG. 1.
 The broken lines are shown for illustration purposes only.

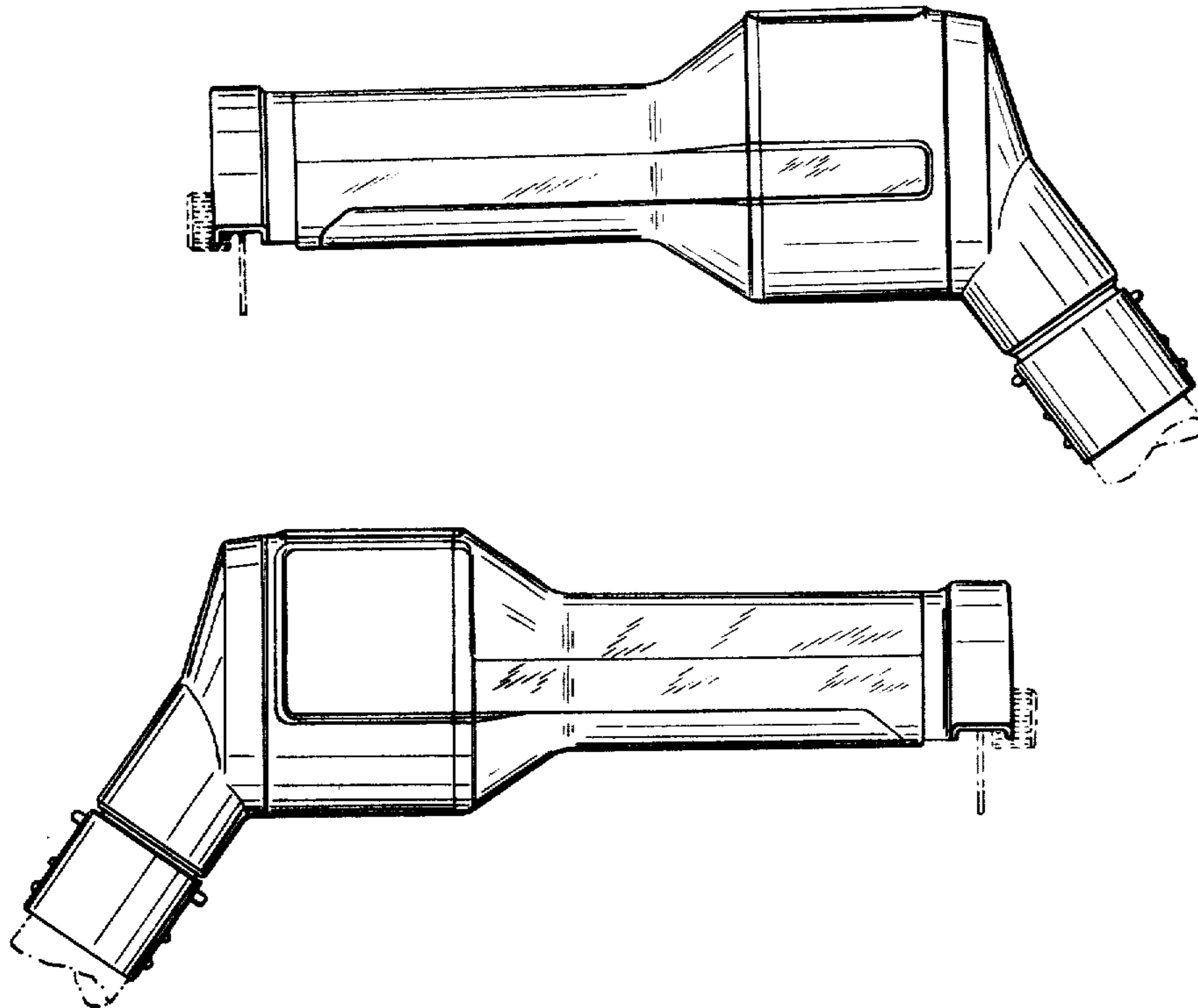


FIG. 1

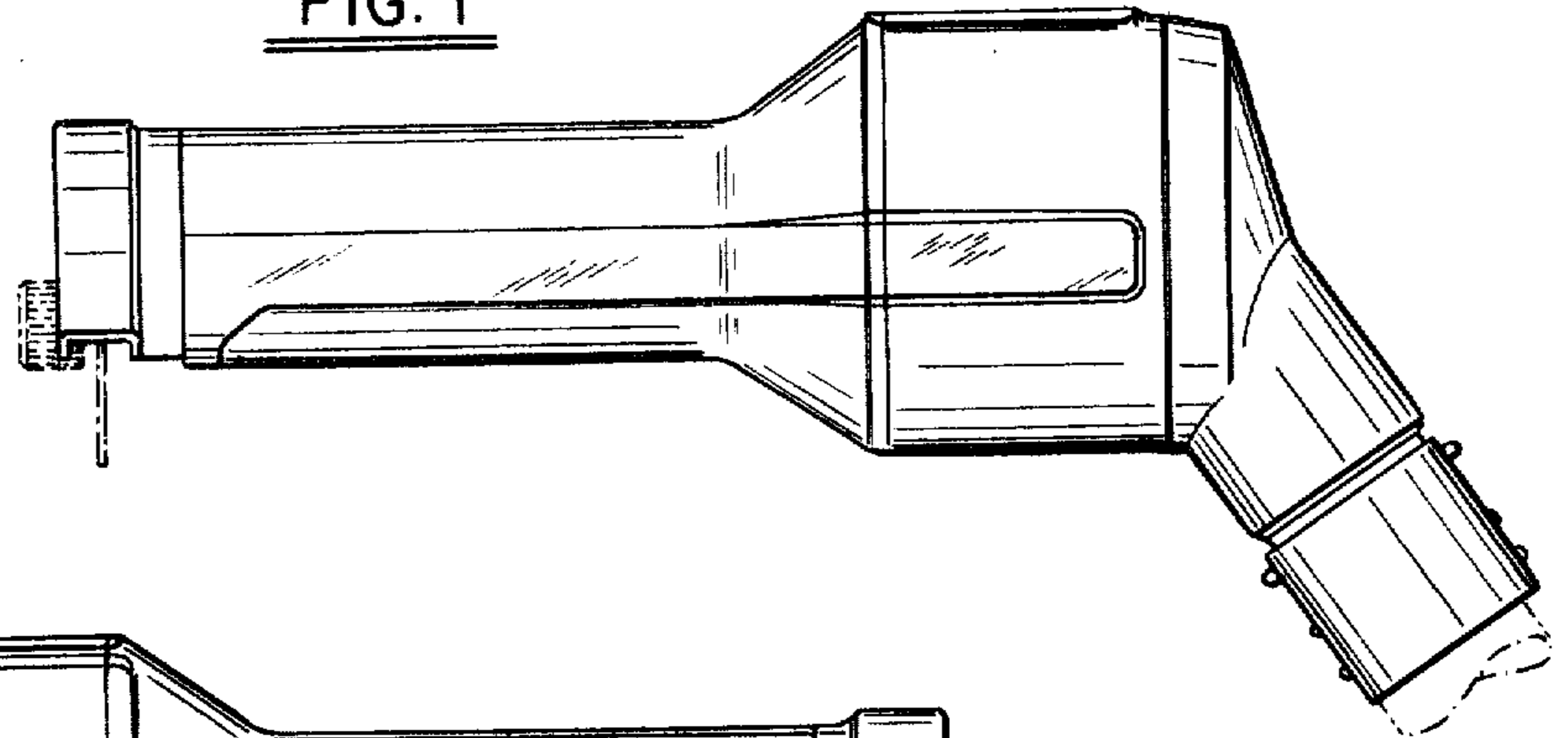


FIG. 2

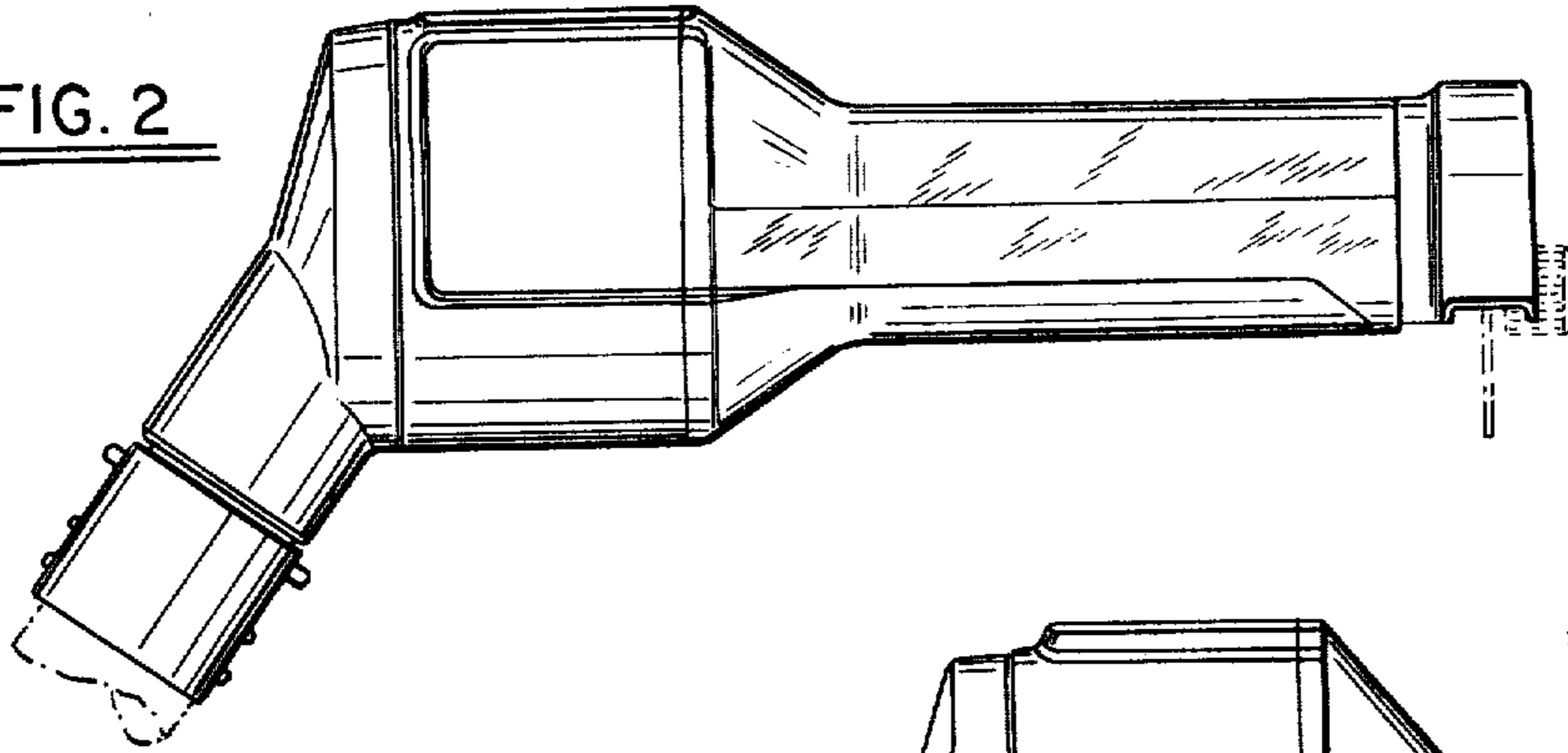


FIG. 3

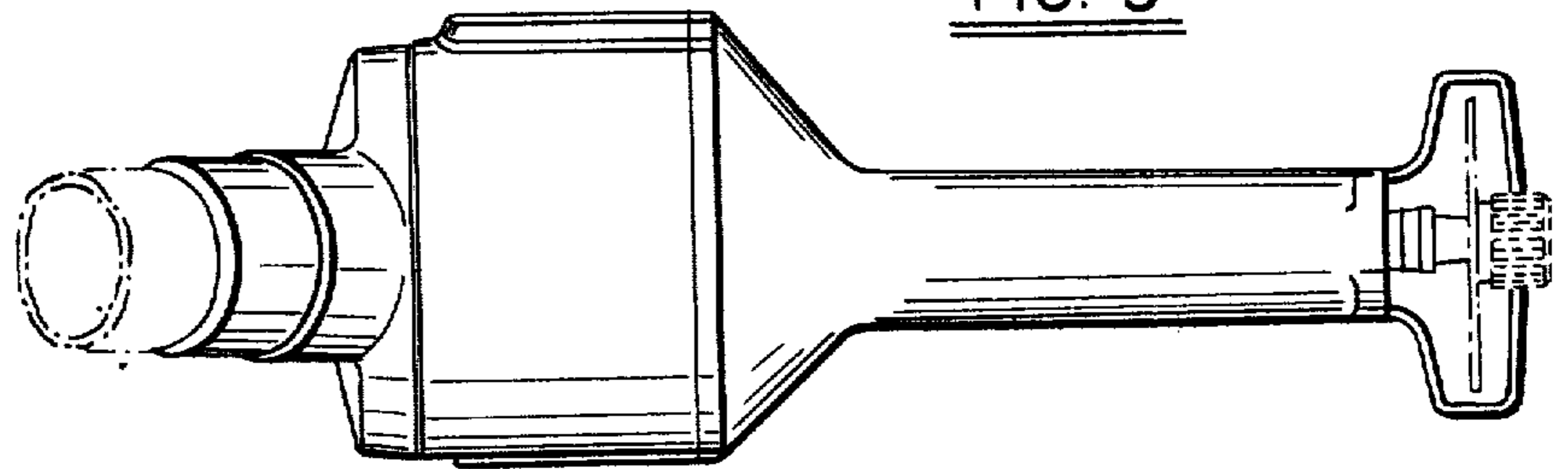


FIG. 4

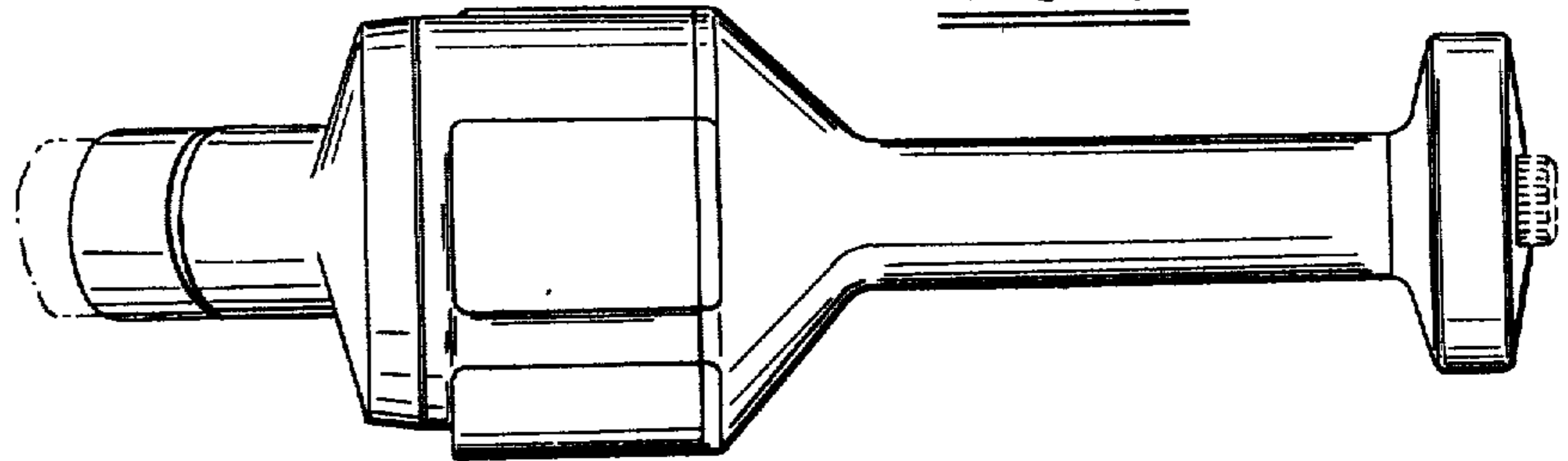


FIG. 5

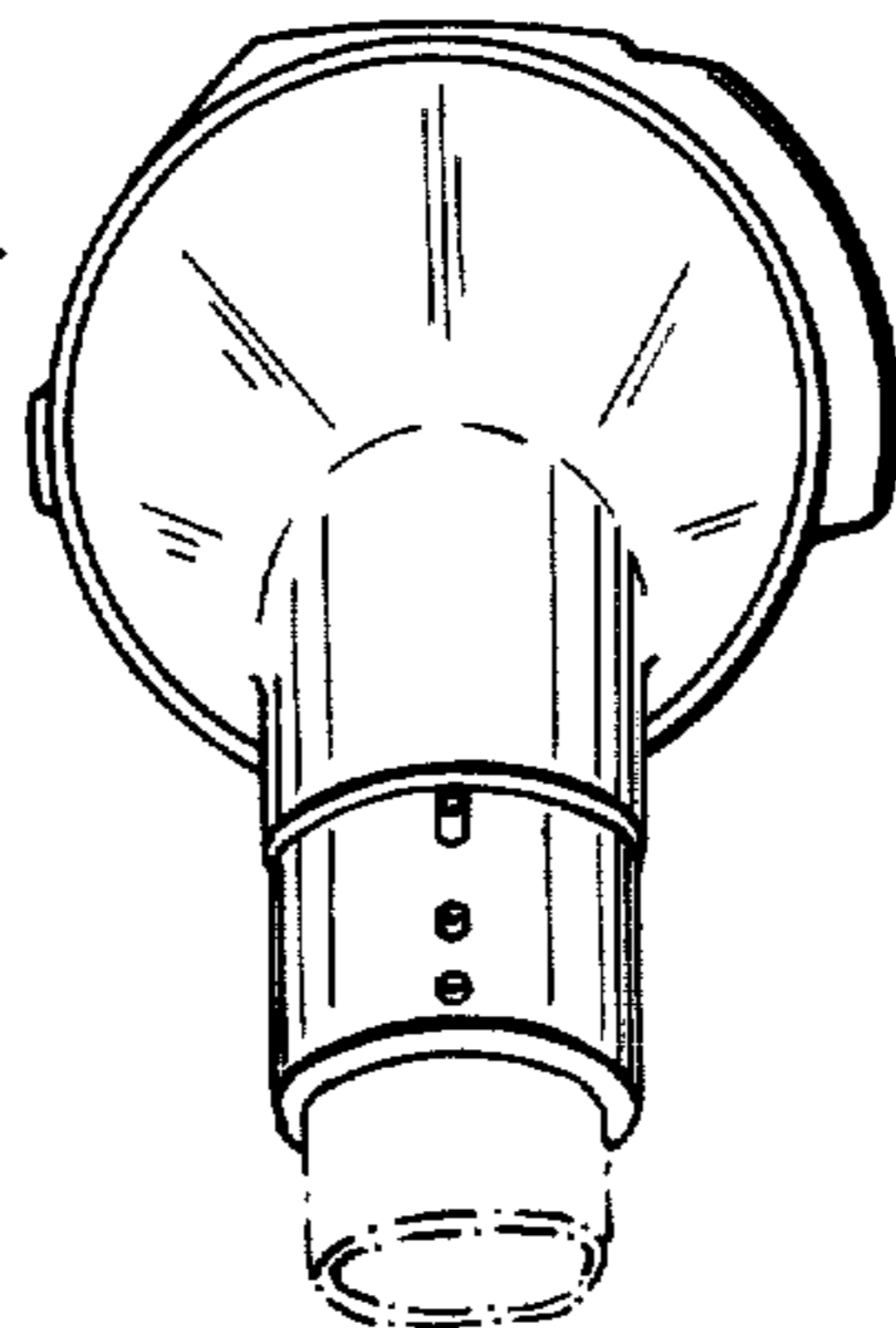


FIG. 6

