

[54] METAL EXTRUSION FOR AN ELECTRIC HEATING ELEMENT

[75] Inventors: Donald M. Cunningham; Richard W. Brent, both of Pittsburgh; John C. Stover, Verona, all of Pa.

[73] Assignee: Emerson Electric Co., St. Louis, Mo.

[**] Term: 14 Years

[21] Appl. No.: 132,790

[22] Filed: Mar. 24, 1980

[51] Int. Cl. D23-99

[52] U.S. Cl. D23/77; D25/74

[58] Field of Search D23/77; D25/70, 73, D25/74, 79; 219/530, 535, 540

[56] References Cited

U.S. PATENT DOCUMENTS

3,004,640	10/1961	Macomber	D25/73
3,331,946	7/1967	Bilbro	219/535
3,548,159	12/1970	Ellstroem	219/535
4,281,238	7/1981	Noma et al.	219/535

Primary Examiner—Veronica O’Keefe
Attorney, Agent, or Firm—Michael Williams

[57] CLAIM

The ornamental design for a metal extrusion for an electric heating element, substantially as shown and described.

DESCRIPTION

FIG. 1 is a broken perspective view of a metal extrusion for an electric heating element, showing our new design, and

FIG. 2 is an enlarged elevational view looking from one end thereof, the opposite end being the same.

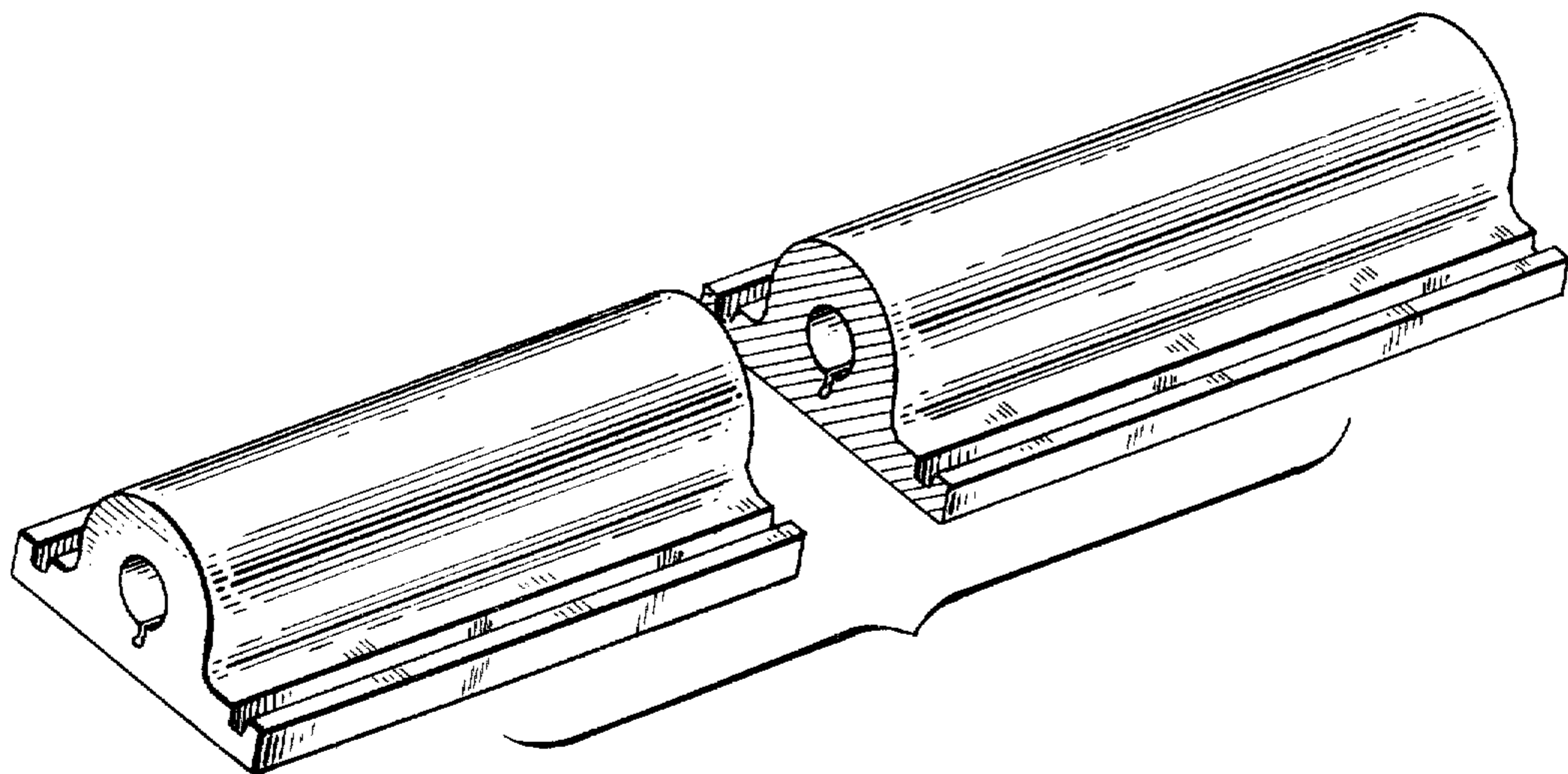


FIG. 1.

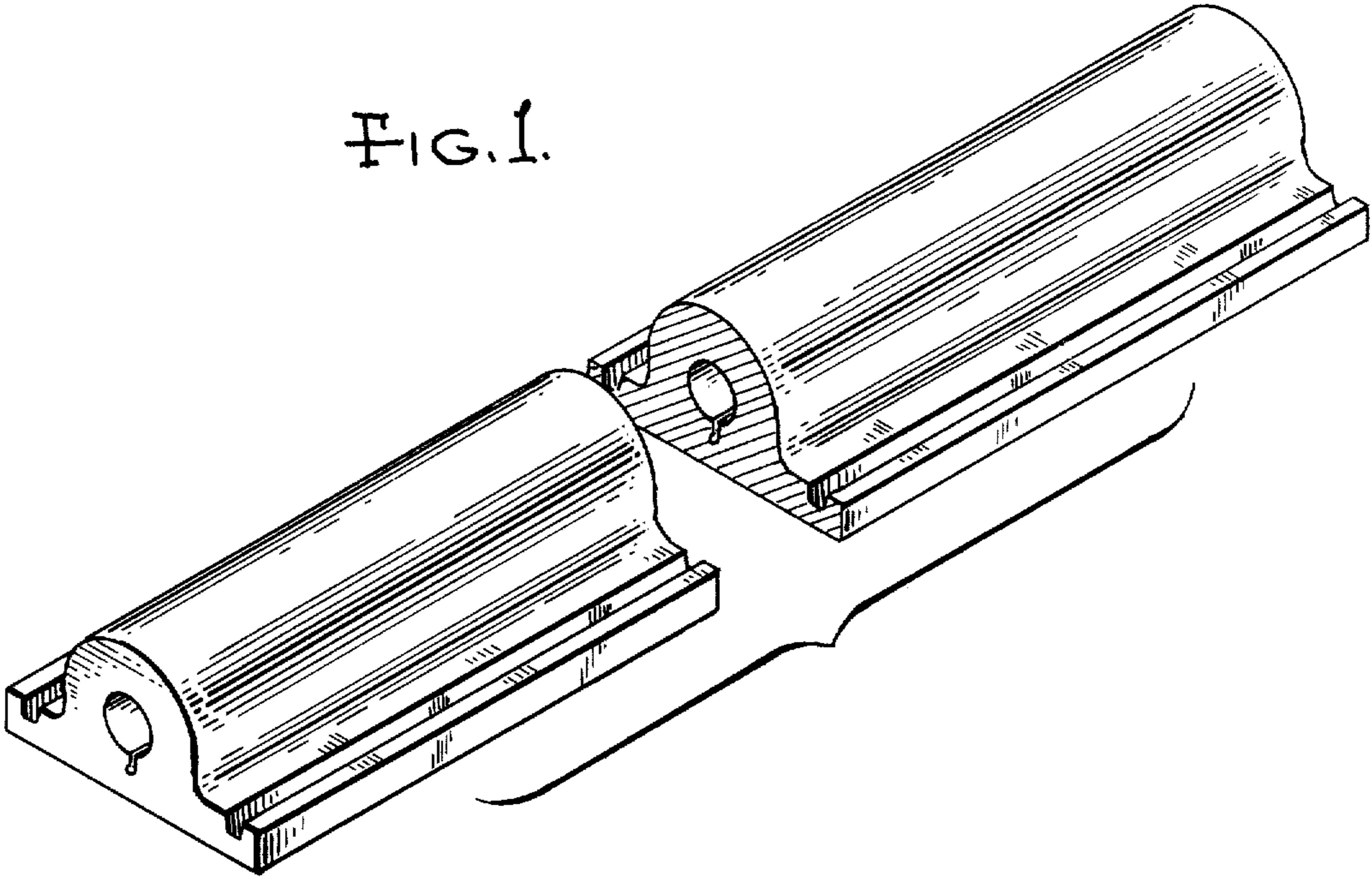


FIG. 2.

