

[54] CONNECTOR BRACKET FOR A COLLAPSIBLE TENT FRAME
[75] Inventor: Edwin H. Oribin, 103 Elfin Rd., Launceston, Tasmania, Australia

[73] Assignees: Edwin Henry Oribin; Joyce Isobel Oribin, both of Victoria, Australia

[**] Term: 14 Years

[21] Appl. No.: 115,722

[22] Filed: Jan. 28, 1980

[30] Foreign Application Priority Data

Aug. 8, 1979 [AU] Australia 78625/79

[51] Int. Cl. D21-04

[52] U.S. Cl. D21/254; D8/354; D25/98

[58] Field of Search 52/650; 135/4 B, 4 R; D25/1, 21, 26, 27, 61, 70, 80, 98; D21/253, 254; D8/354

[56] References Cited
U.S. PATENT DOCUMENTS

D. 155,018 8/1949 Lushbaugh D21/254
3,160,165 12/1964 Greenbie 135/4 R X
3,914,063 10/1975 Papayoti 52/650 X
4,074,682 2/1978 Yoon 135/4 R

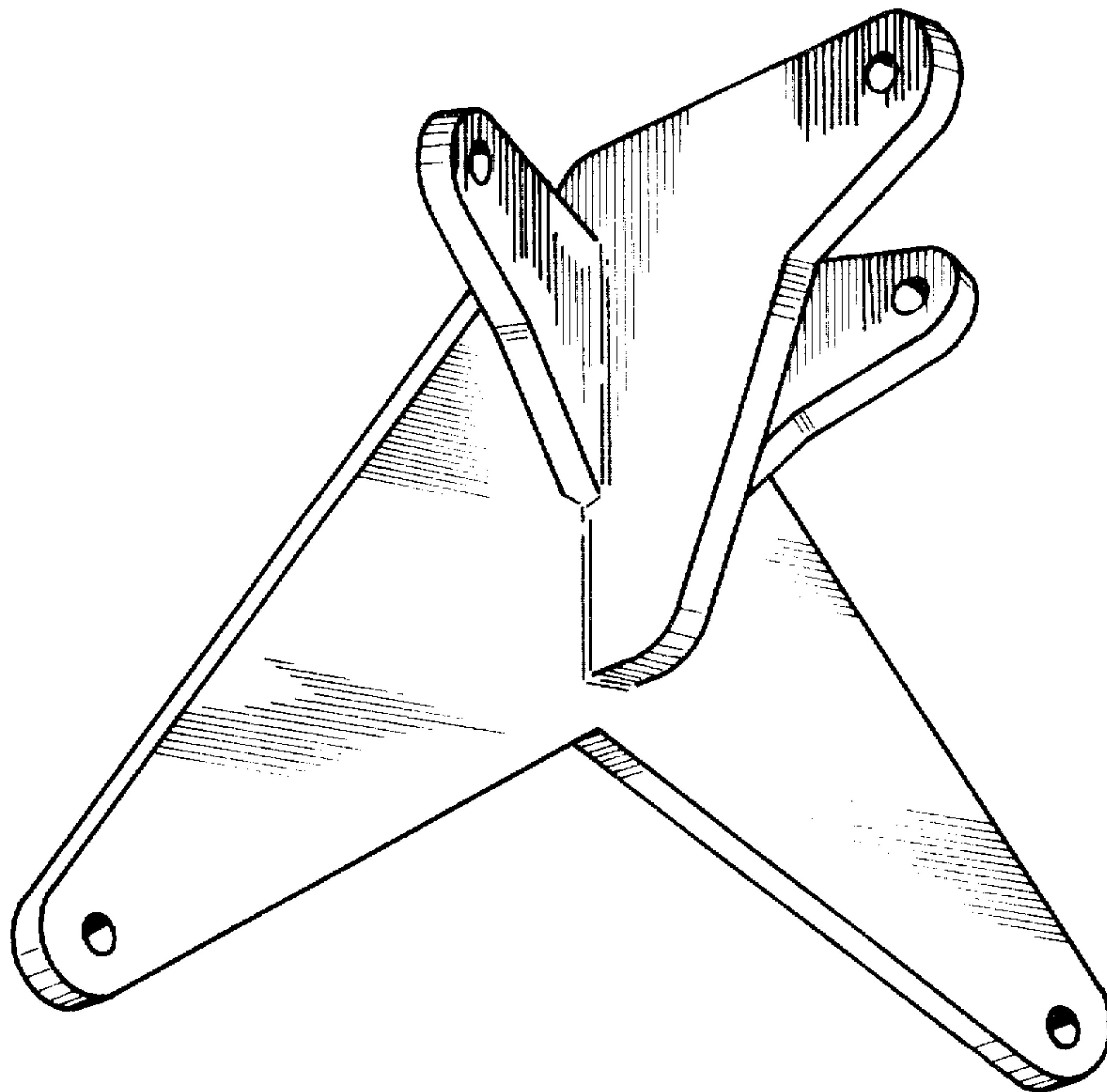
Primary Examiner—A. Hugo Word
Attorney, Agent, or Firm—Charles W. Helzer

[57] CLAIM

The ornamental design for a connector bracket for a collapsible tent frame, as shown.

DESCRIPTION

FIG. 1 is an overall side perspective view of the new and ornamental connector bracket according to the invention;
FIG. 2 is a back view of the connector bracket shown in FIG. 1;
FIG. 3 is a front view of the connector bracket;
FIG. 4 is a side view of the connector bracket taken from either side of the bracket;
FIG. 5 is a top plan view of the connector bracket; and
FIG. 6 is a bottom plan view of the connector bracket taken from a position looking upwardly toward the bracket as shown in FIG. 1.



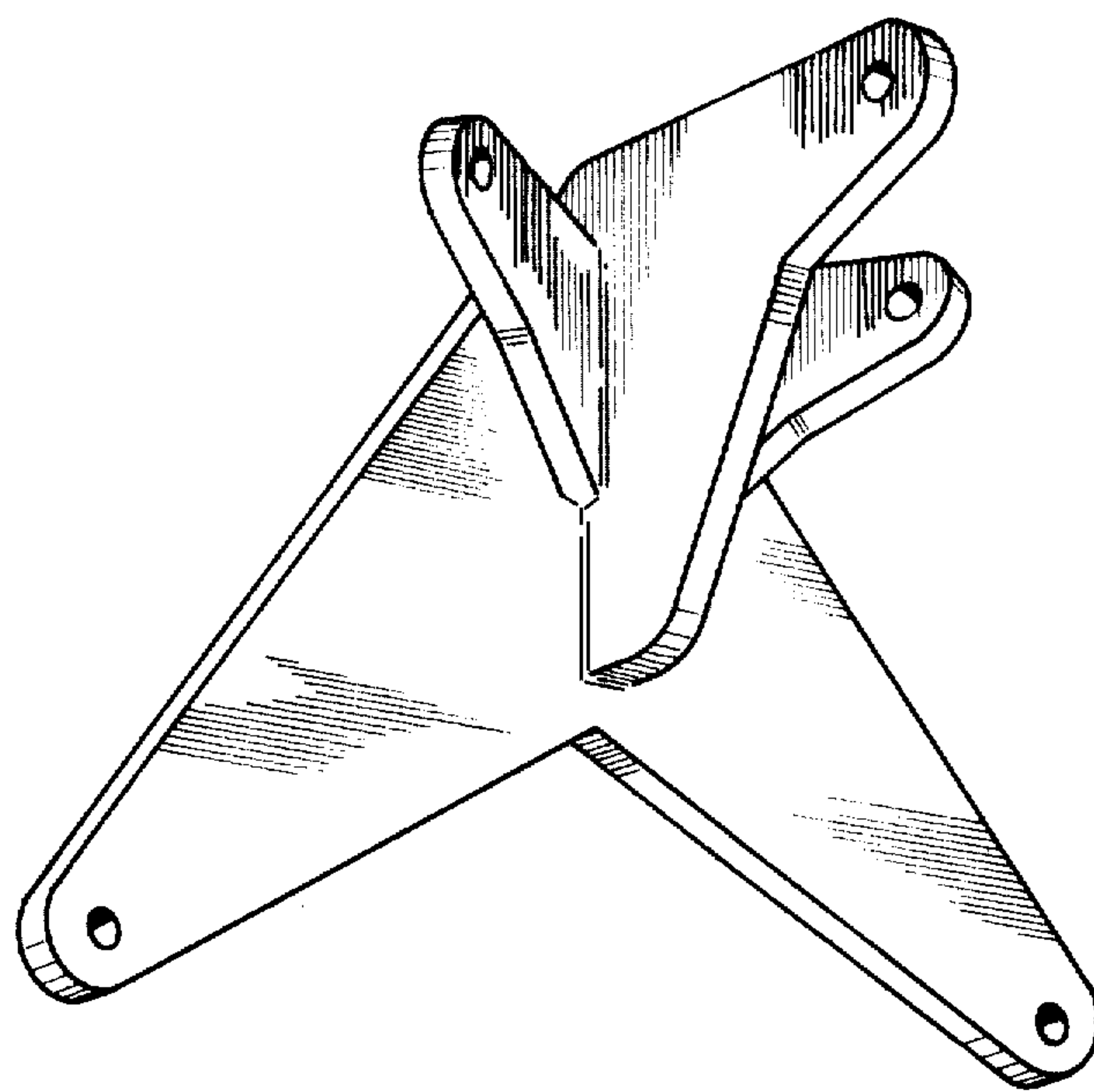


FIG. 1

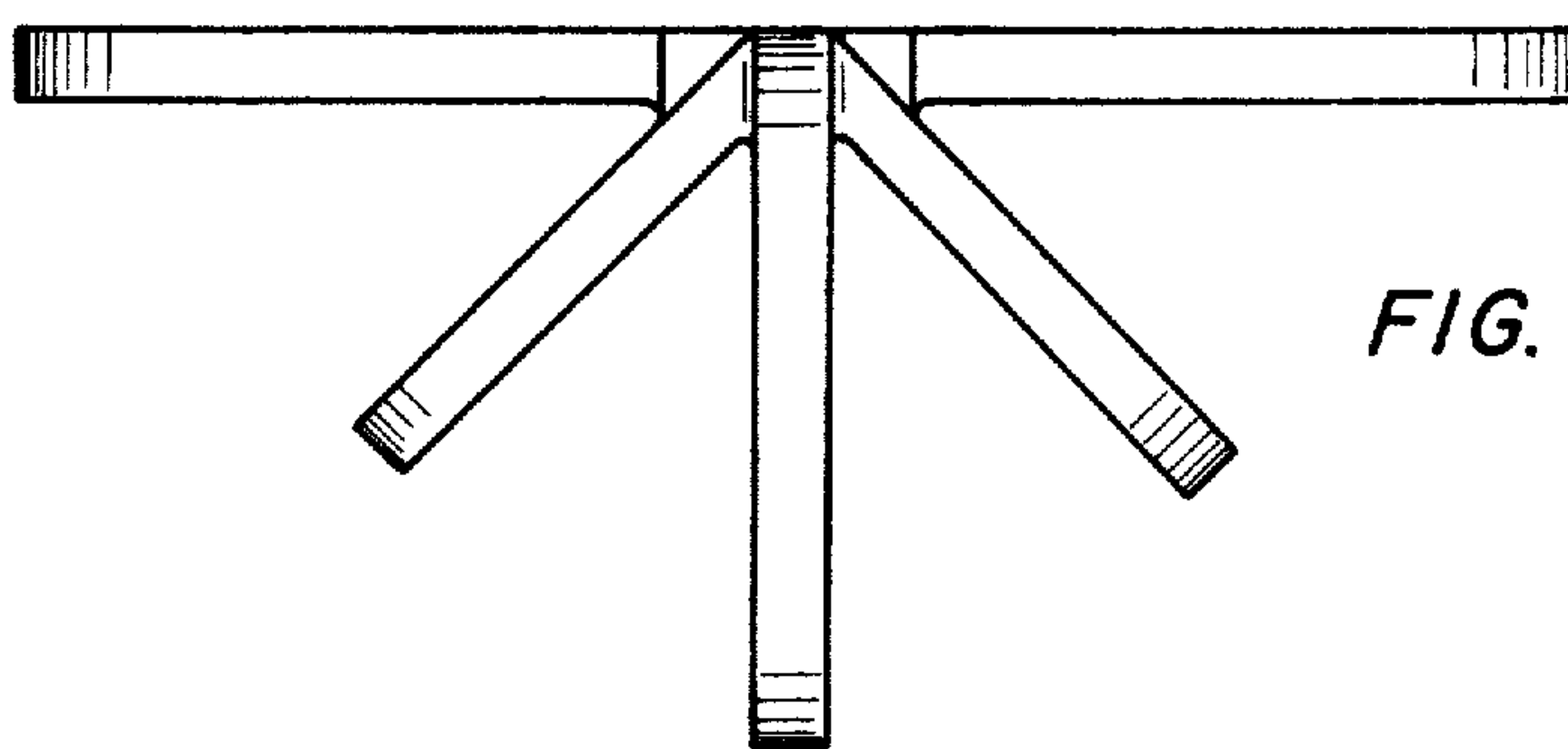


FIG. 2

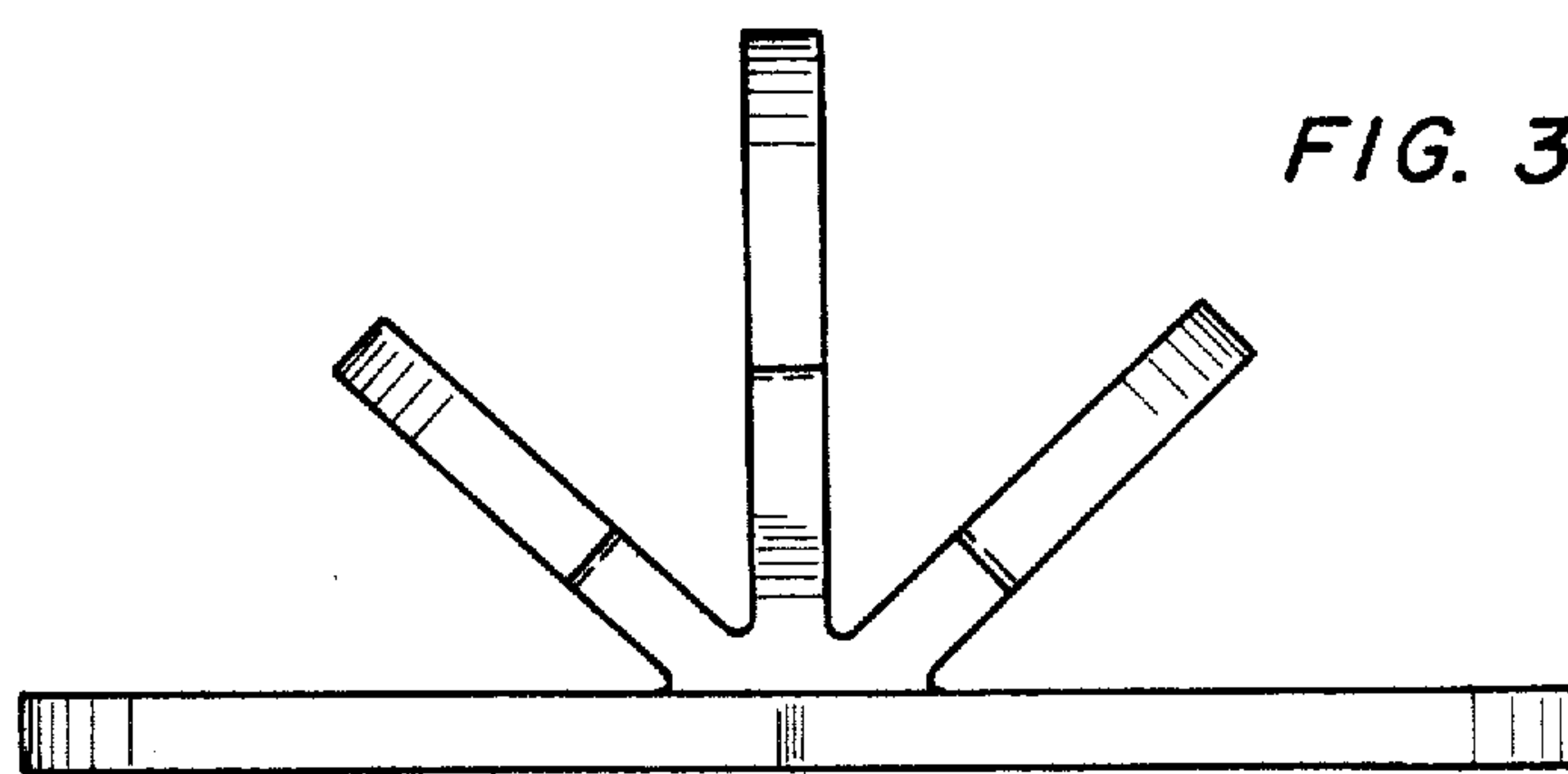


FIG. 3

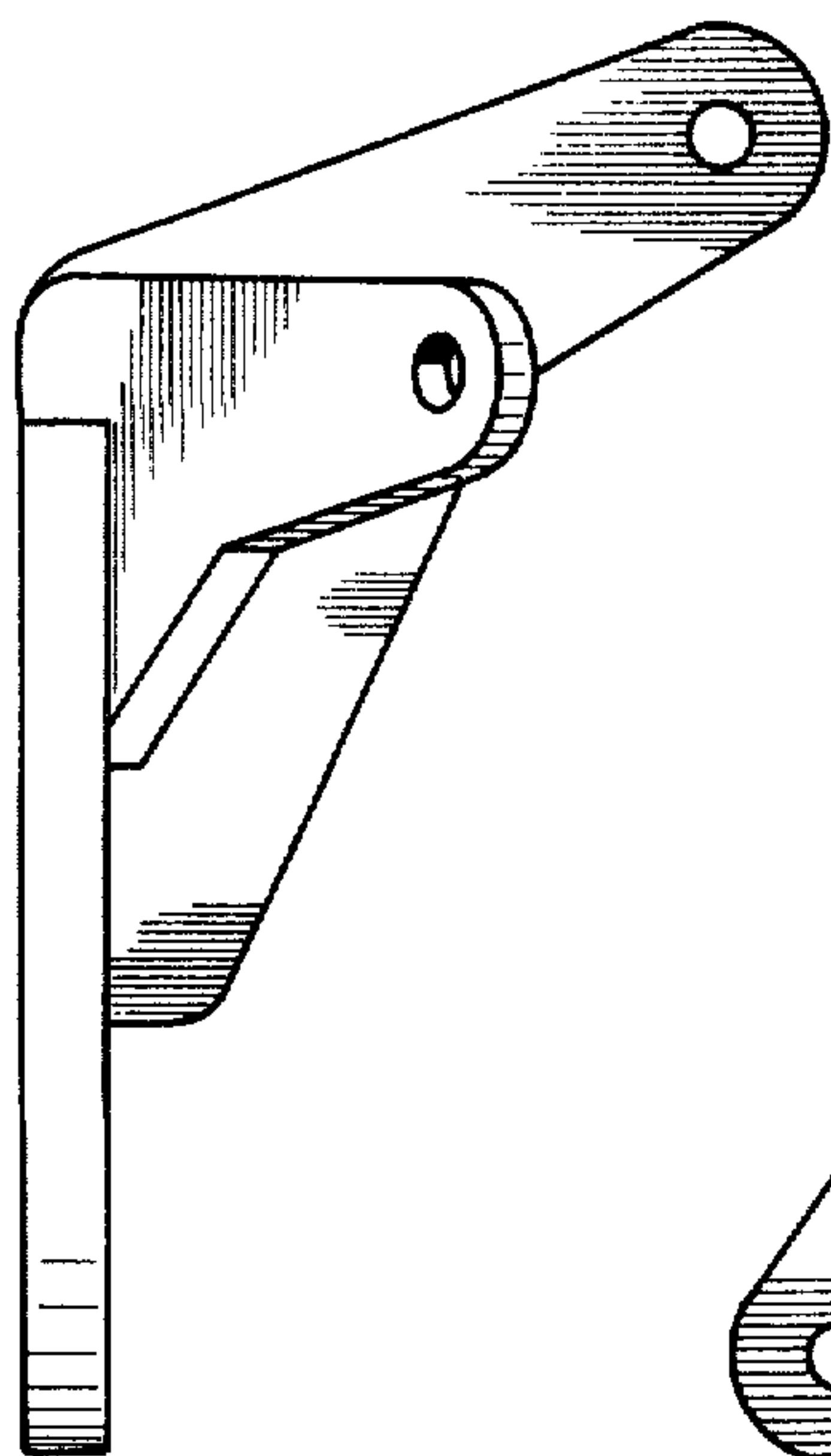


FIG. 4

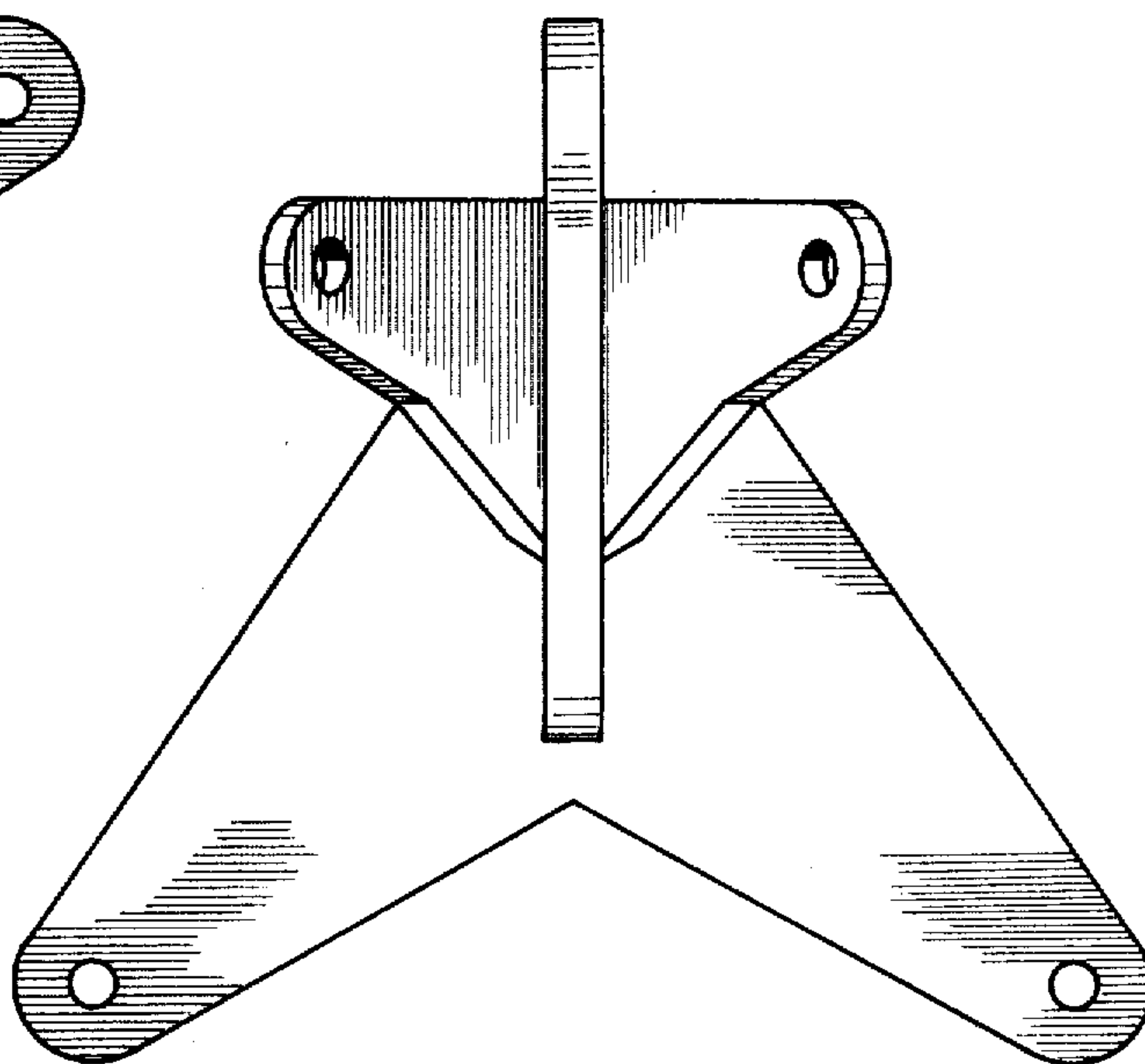


FIG. 5

FIG. 6

