

[54] DRAFTING MACHINE SCALE MAGNIFIER ATTACHMENT

[75] Inventor: Michael L. Miller, Pasadena, Calif.

[73] Assignee: Vemco Corporation, Pasadena, Calif.

[\*\*] Term: 14 Years

[21] Appl. No.: 137,262

[22] Filed: Apr. 4, 1980

[51] Int. Cl.<sup>3</sup> ..... D16-06

[52] U.S. Cl. .... D16/135; D10/74

[58] Field of Search ..... D10/63, 71, 74; D16/48, D16/49, 50, 51, 54, 56; 350/116, 243, 245-247, 256

[56] References Cited

U.S. PATENT DOCUMENTS

D. 218,537 8/1970 Bushon ..... D16/54

D. 242,329 2/1977 Snarski ..... D16/54  
D. 253,045 10/1979 Rizer ..... D16/54 X  
1,798,953 3/1931 Rennie ..... 350/116  
1,806,422 5/1931 Shaen ..... 350/116  
2,355,161 8/1944 Holstein ..... 350/116

Primary Examiner—Nelson C. Holtje  
Attorney, Agent, or Firm—Robert M. McManigal

[57] CLAIM

The ornamental design for a drafting machine scale magnifier attachment, as shown and described.

DESCRIPTION

FIG. 1 is a perspective view of a drafting machine scale magnifier attachment showing my new design, the rule portion shown in broken lines being for illustrative purposes only and forming no part of the claimed design;

FIG. 2 is a top plan view thereof;

FIG. 3 is a cross-sectional view thereof as taken from line 3-3 of FIG. 2.

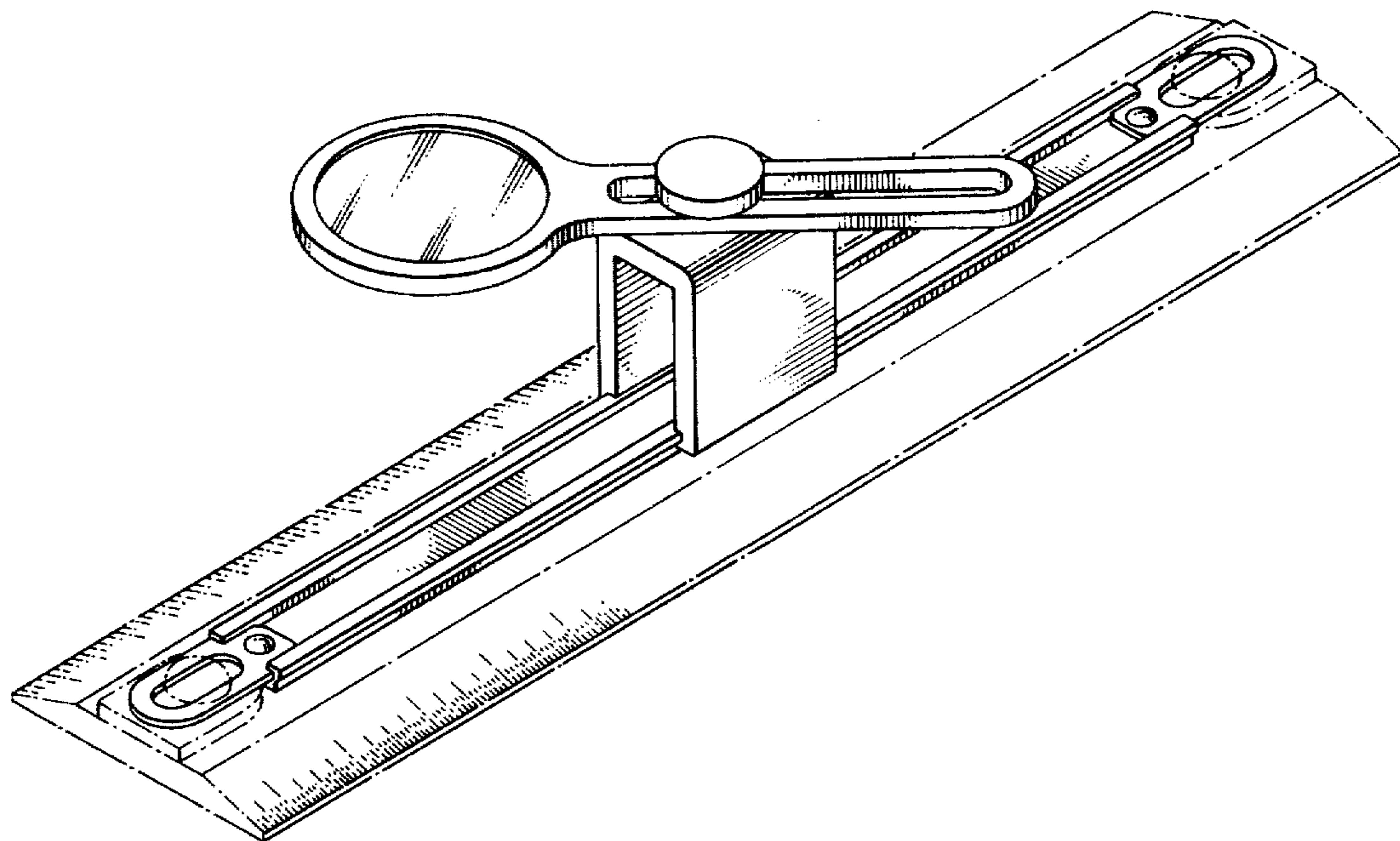


FIG. 1.

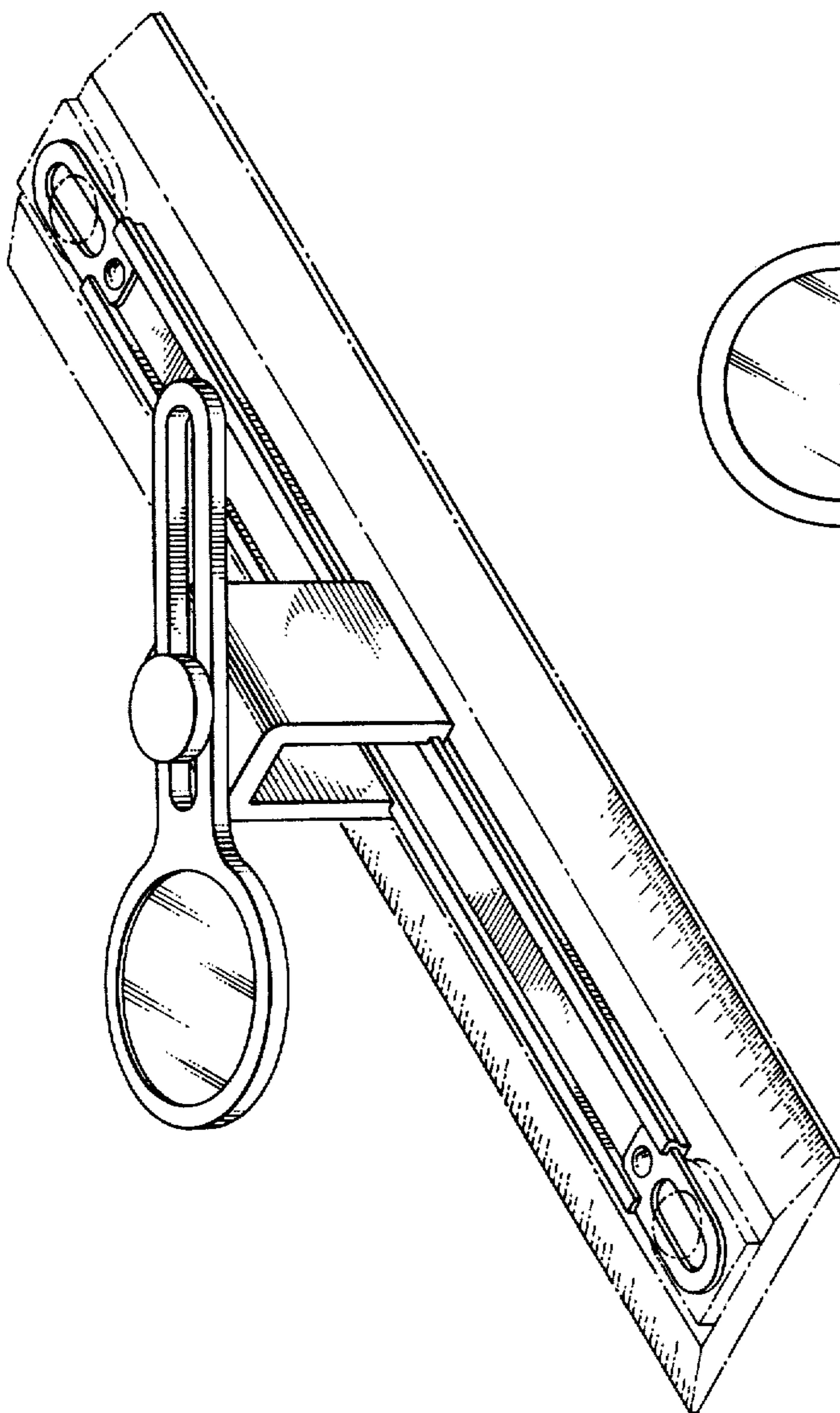


FIG. 3.

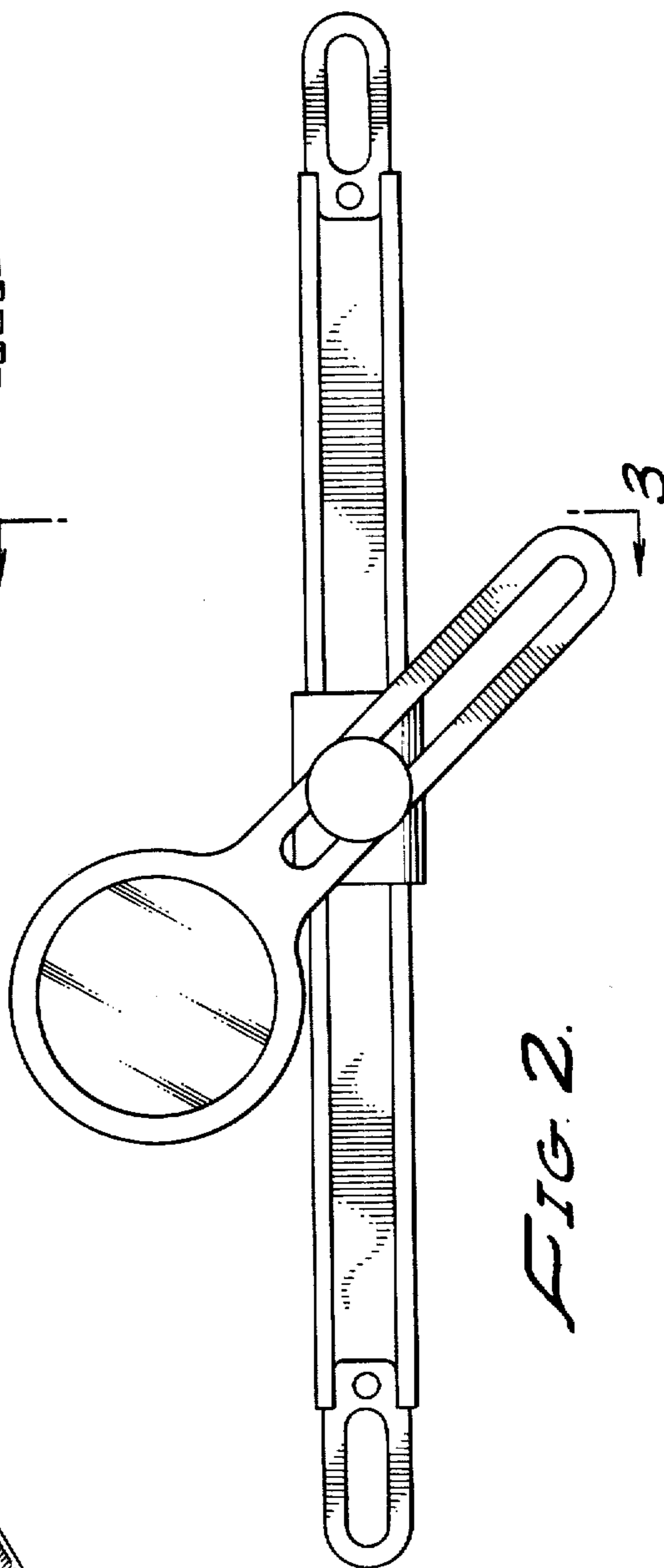
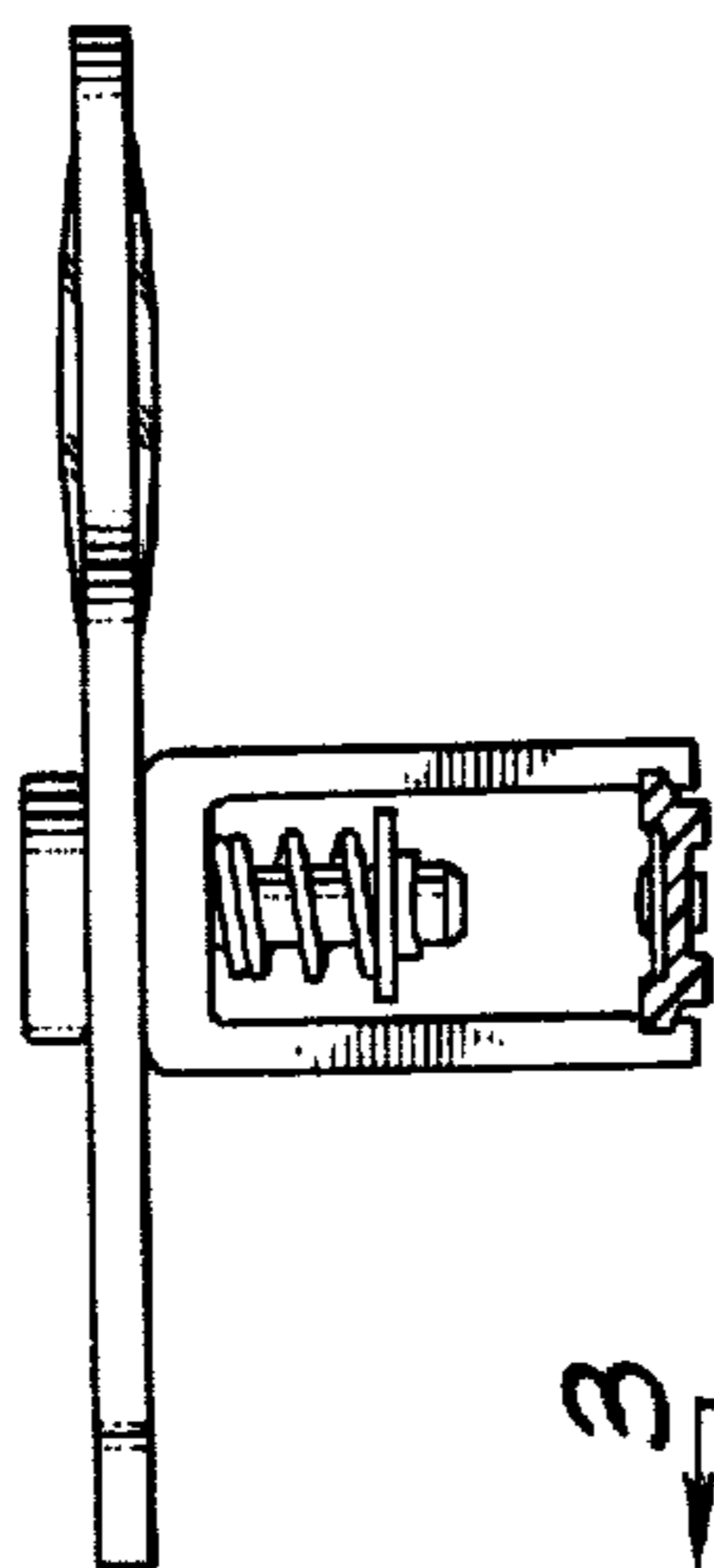


FIG. 2.