

[54] ELECTRIC FLASH DEVICE FOR CAMERA

[76] Inventor: Yoshiyuki Takematsu, 38-1 Komaba 1 Chome, Meguro-ku Tokyo, Japan

[**] Term: 14 Years

[21] Appl. No.: 47,704

[22] Filed: Jun. 12, 1979

[30] Foreign Application Priority Data

Dec. 17, 1978 [JP] Japan 53-053137

[51] Int. Cl. D16-05

[52] U.S. Cl. D16/42

[58] Field of Search D16/42; 354/35, 60 F, 354/145; 362/3, 4, 7, 9, 10, 16, 18, 255, 277, 280-283, 285, 287, 322, 323

[56] References Cited

U.S. PATENT DOCUMENTS

D. 241,273 8/1976 Okuno et al. D16/42

3,167,256 1/1965 Elliott 362/18
4,078,240 3/1978 Kaneko et al. 354/126
4,190,880 2/1980 Esaki 354/145

Primary Examiner—Peter M. Caun

[57] CLAIM

The ornamental design for an electric flash device for camera, substantially as shown.

DESCRIPTION

FIG. 1 is a front view of an electric flash device for camera showing my new design; FIG. 2 is a rear view thereof; FIG. 3 is a left side view thereof; FIG. 4 is a right side view thereof; FIG. 5 is plan view thereof; FIG. 6 is bottom view thereof; FIG. 7 is a perspective view from the top, front and left side thereof; and FIG. 8 is a perspective view from the bottom, rear and left side thereof.

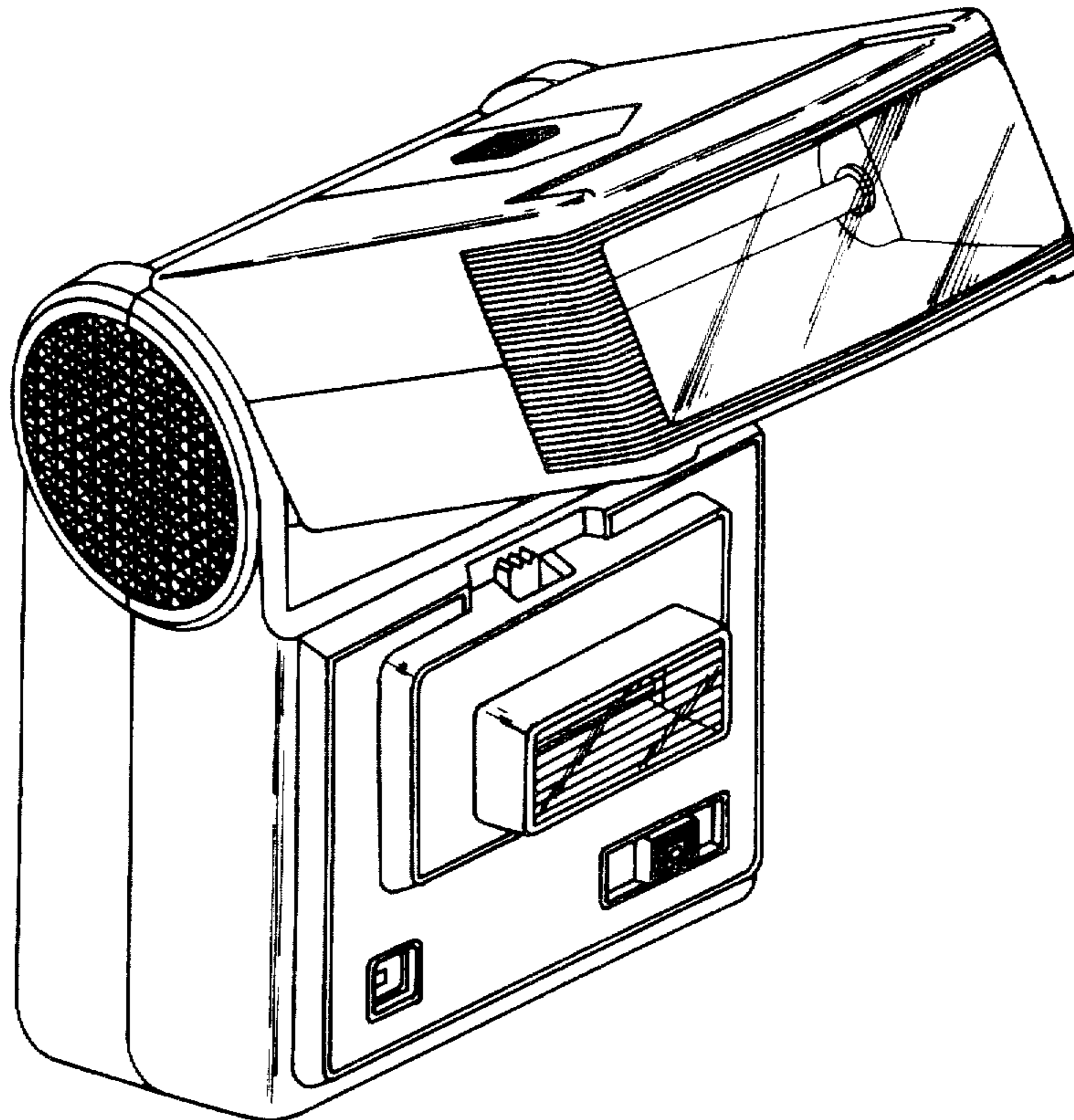


FIG. 1

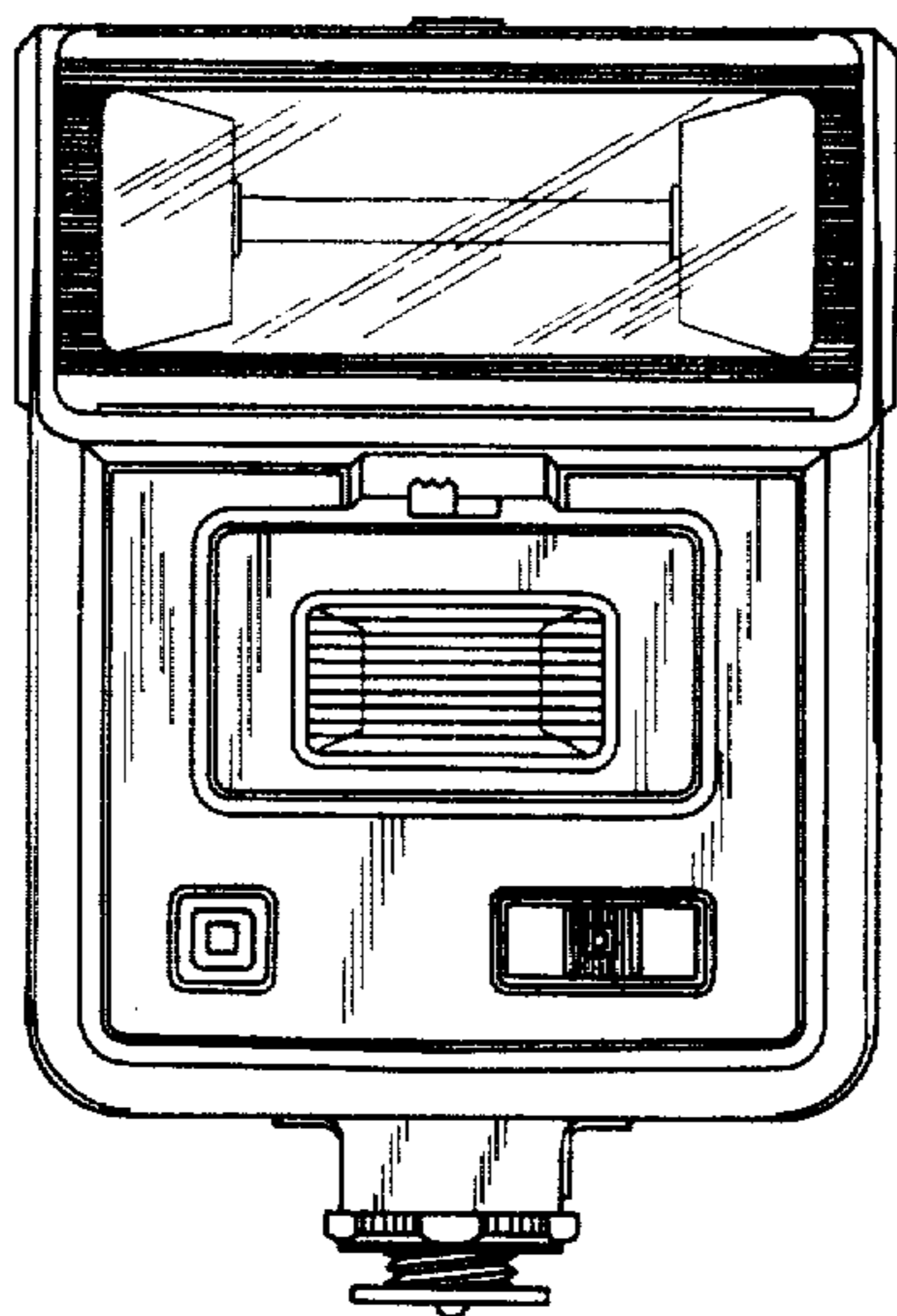


FIG. 2

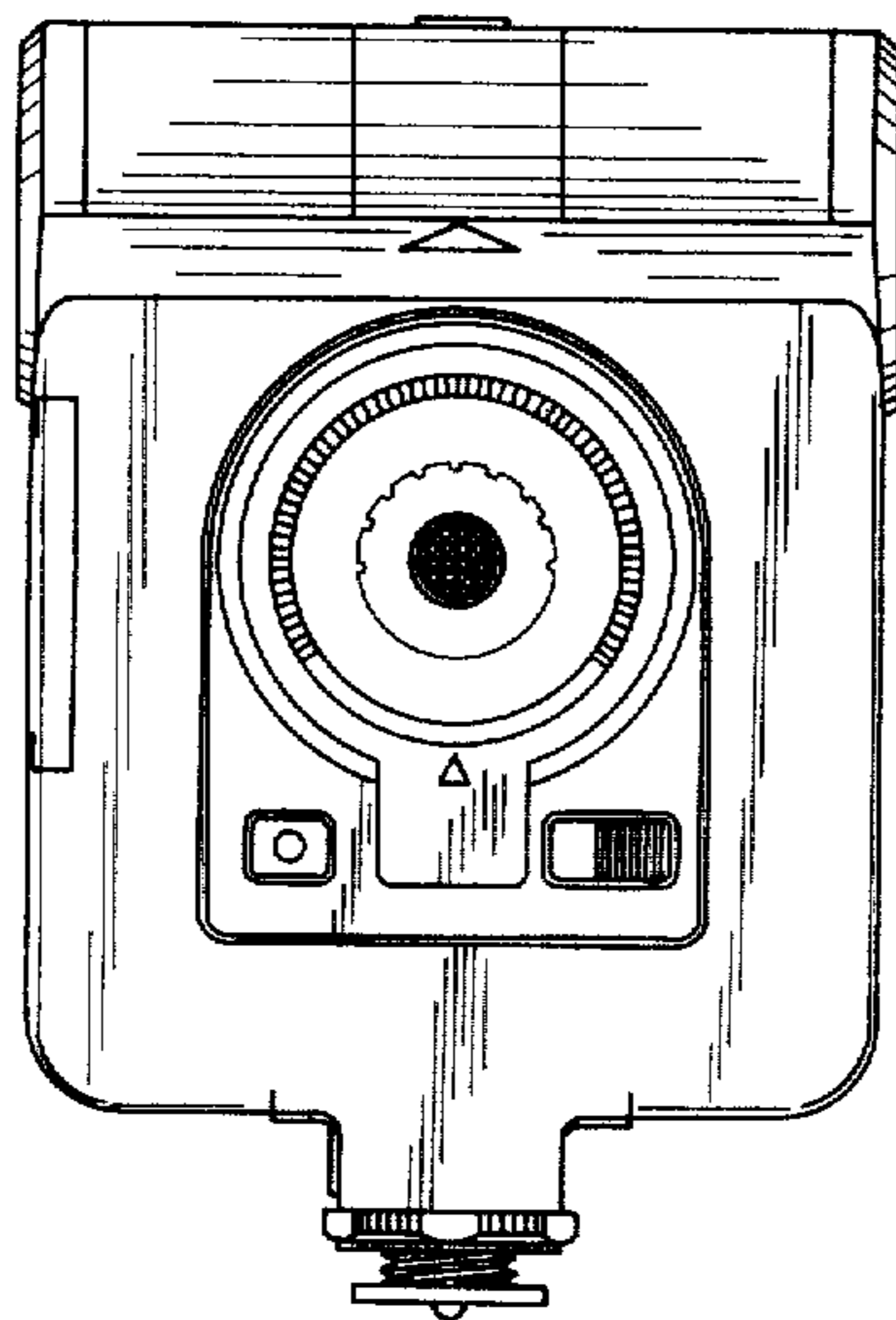


FIG. 3

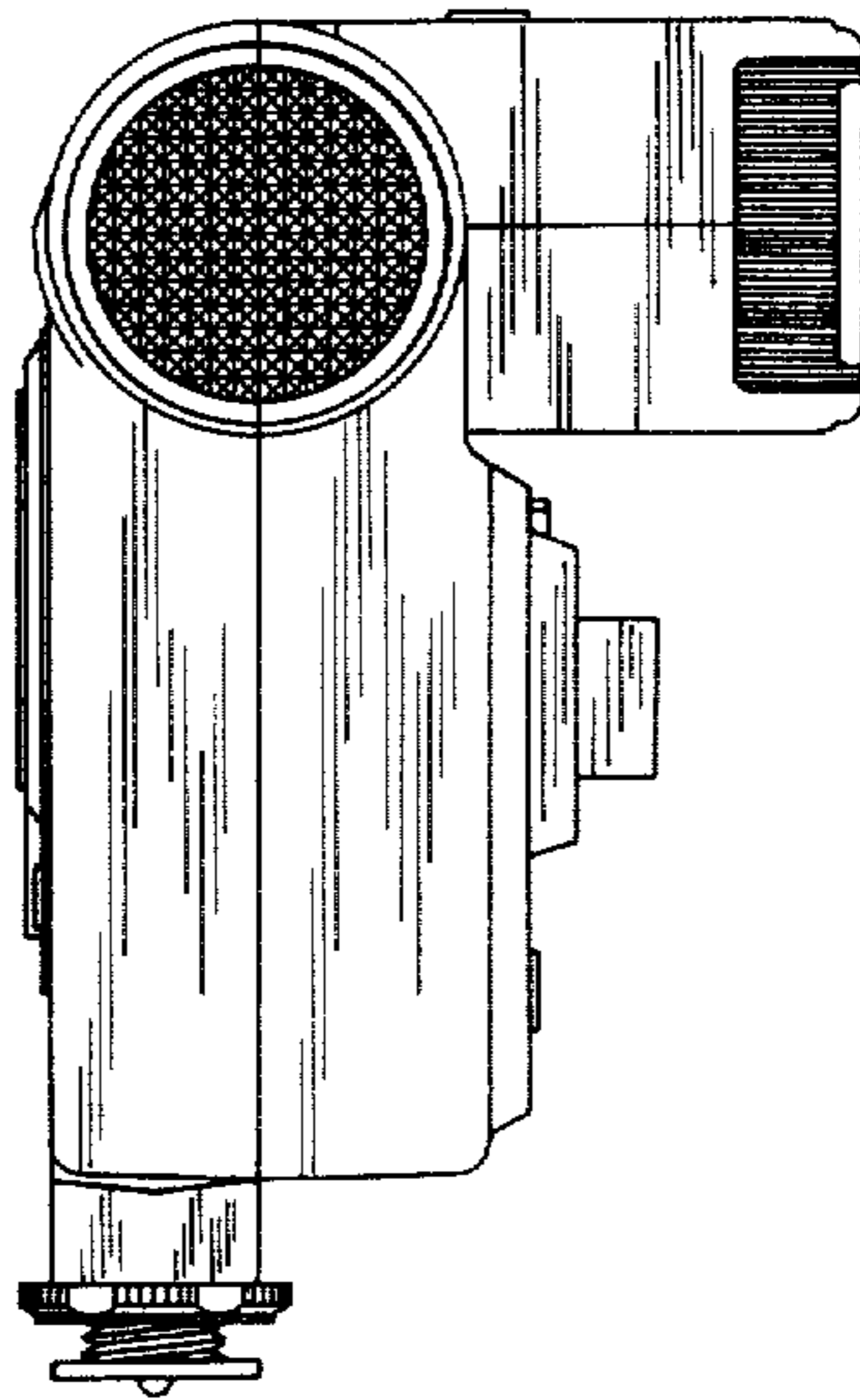


FIG. 4

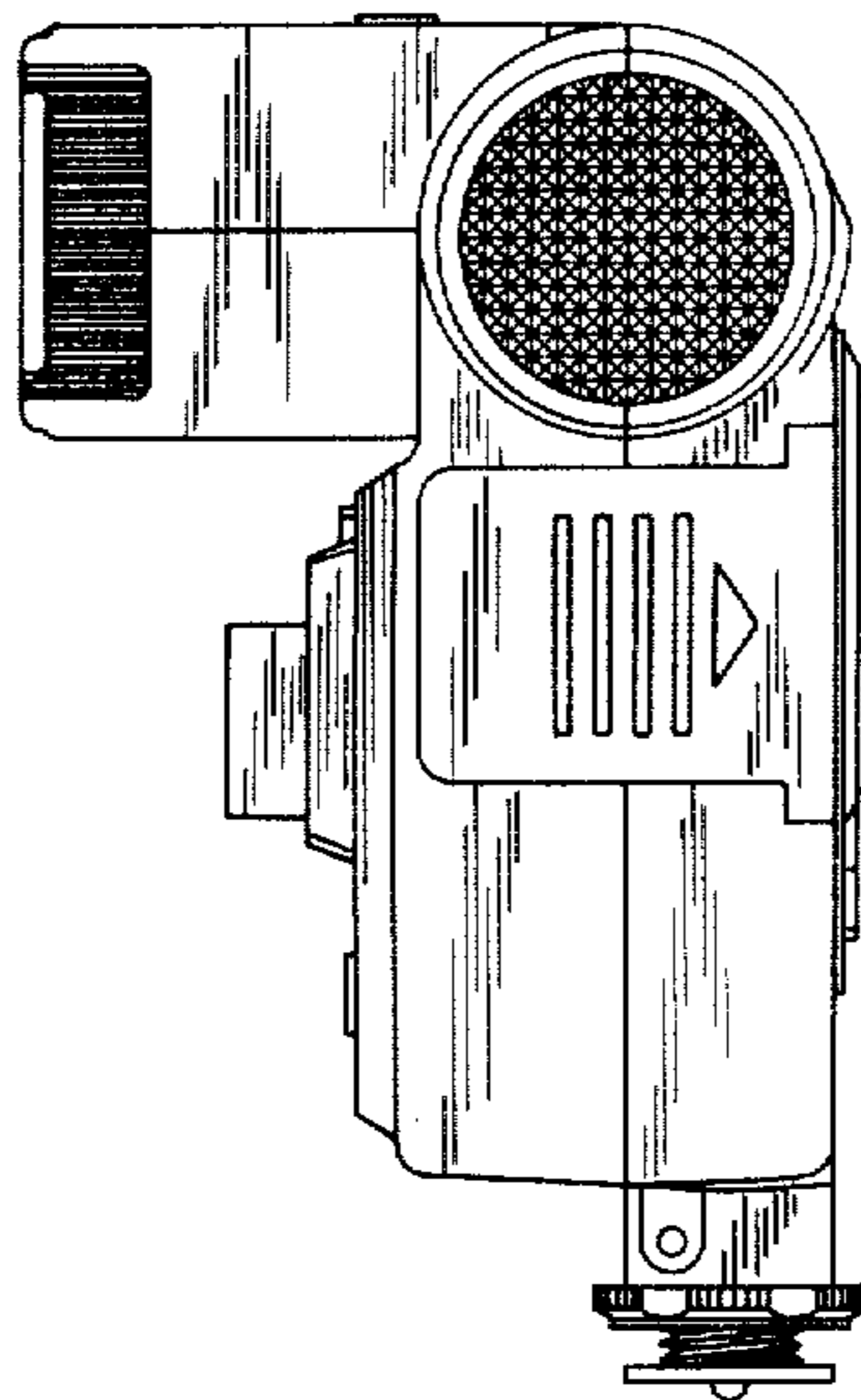


FIG. 5

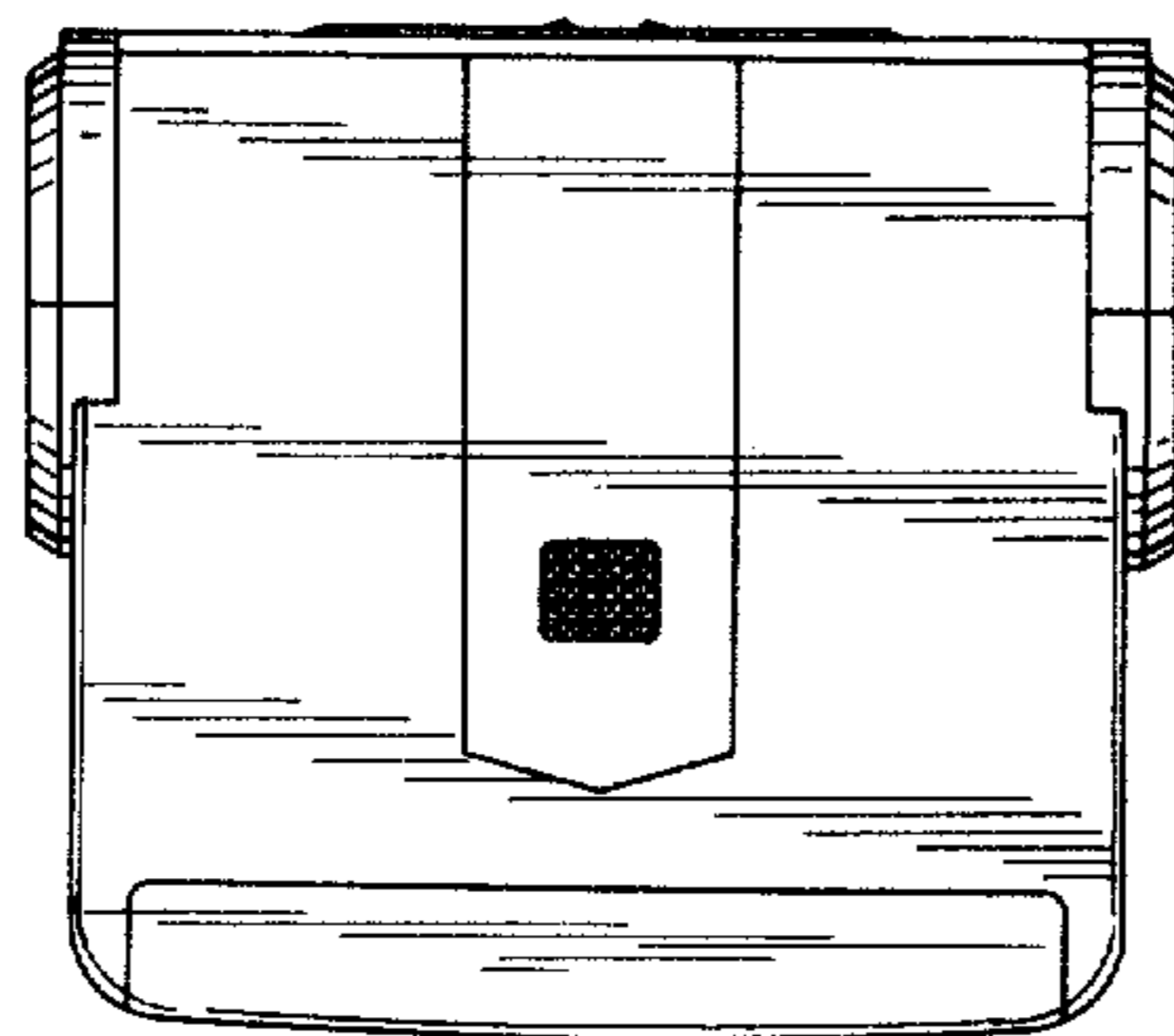
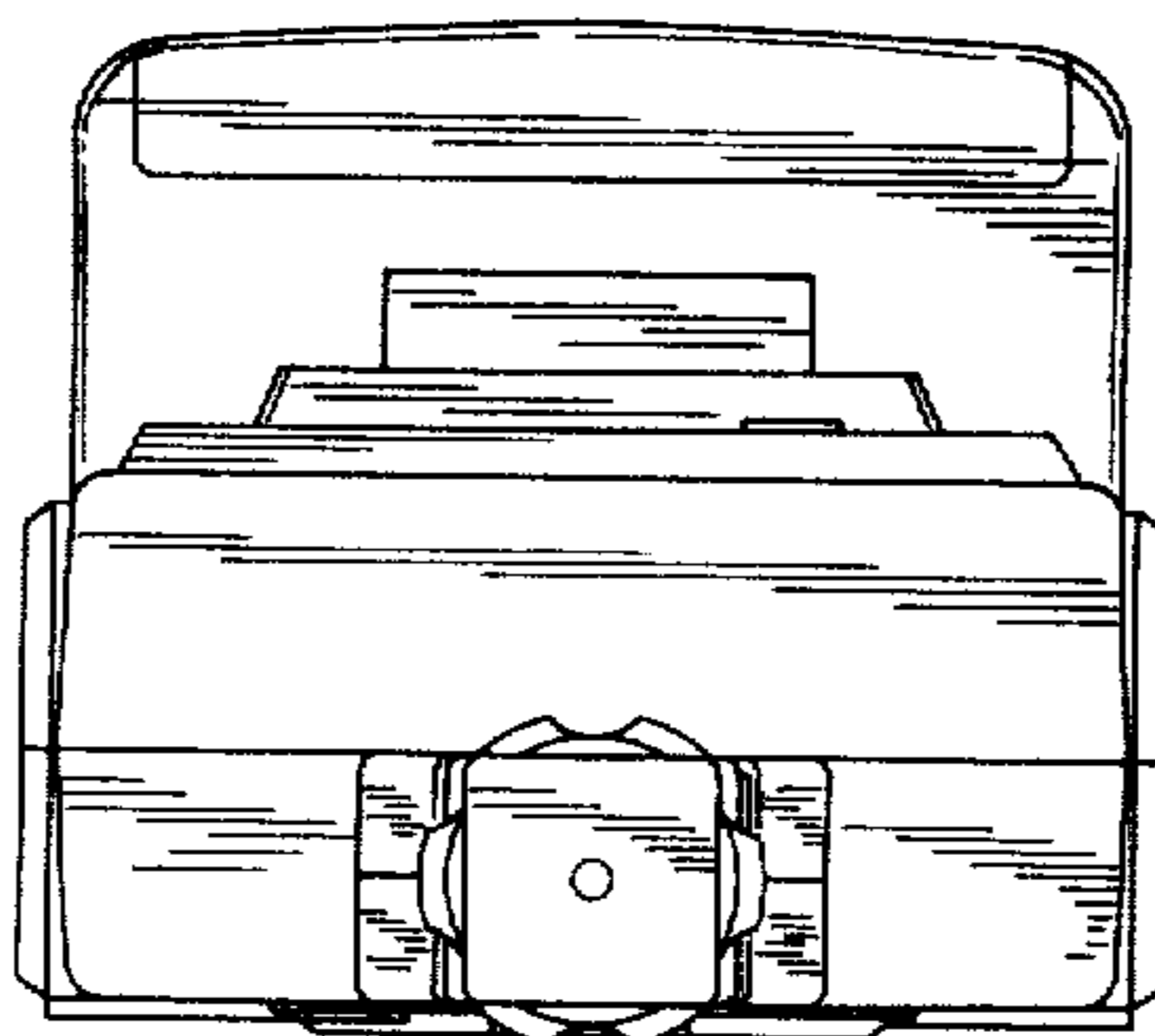


FIG. 6



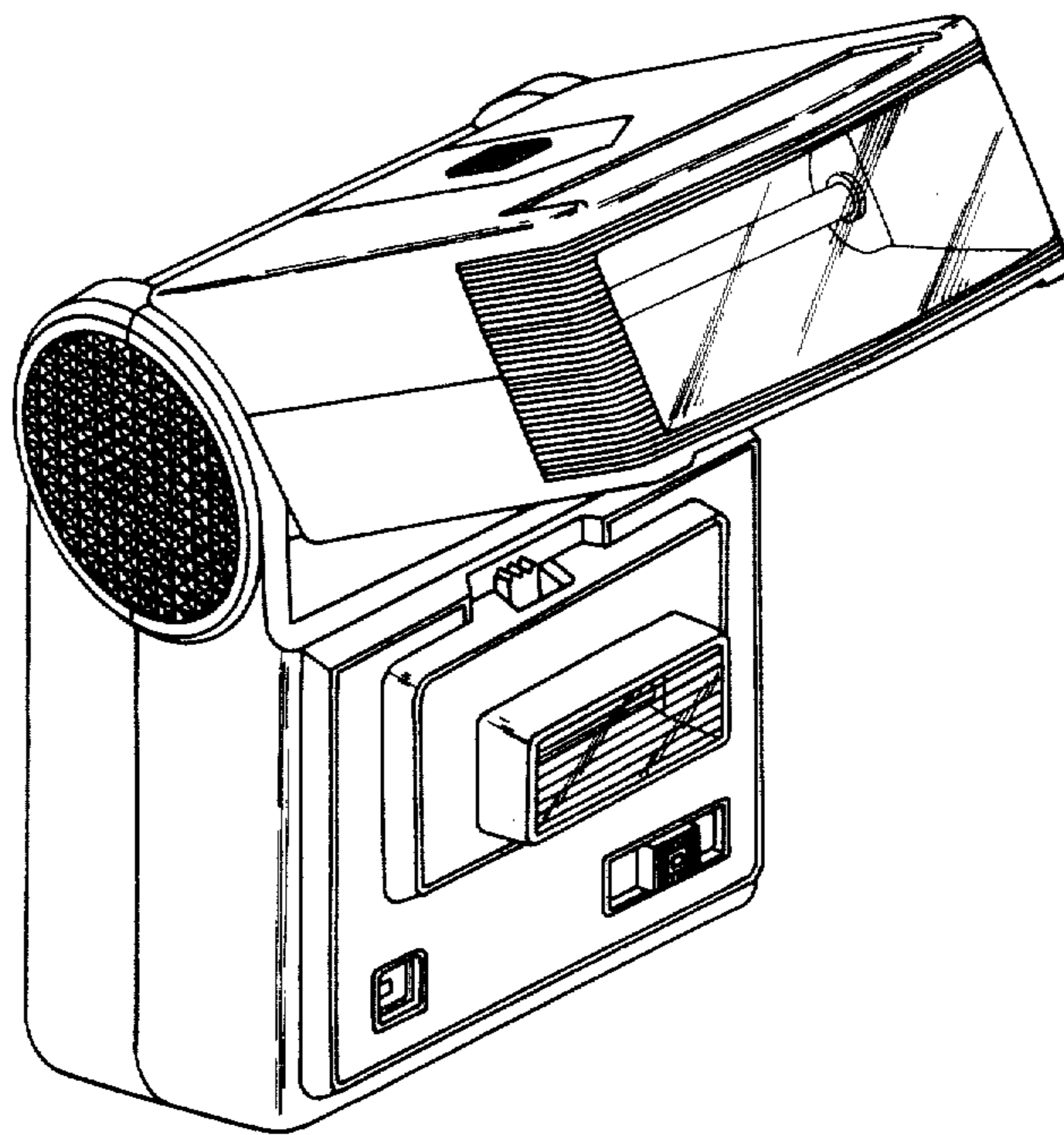


FIG. 7

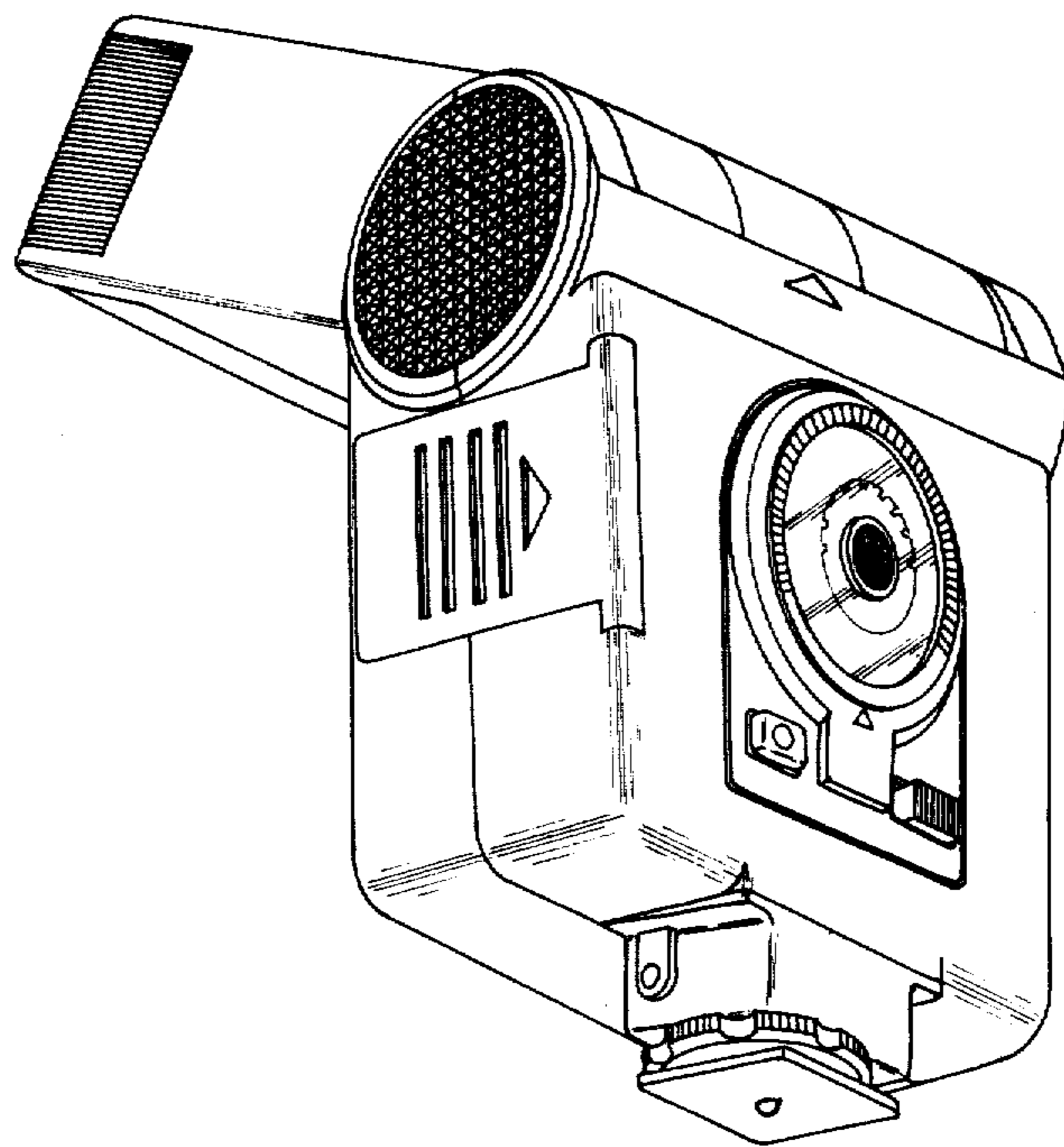


FIG. 8

UNITED STATES PATENT AND TRADEMARK OFFICE
CERTIFICATE OF CORRECTION

PATENT NO. : Des. 263,720
DATED : April 6, 1982
INVENTOR(S) : Yoshiyuki TAKEMATSU

It is certified that error appears in the above—identified patent and that said Letters Patent is hereby corrected as shown below:

On the title page, before line [**] insert:

Assignee: Fuji Koeki Corporation, Tokyo, Japan

Signed and Sealed this

Eighth Day of November 1983

[SEAL]

Attest:

Attesting Officer

GERALD J. MOSSINGHOFF

Commissioner of Patents and Trademarks