

[54] PHOTOGRAPHIC CAMERA

[75] Inventors: Norbert Schlagheck; Herbert Schultes, both of Fuerstenfeldbruck; Karlheinz Rubner, Munich, all of Fed. Rep. of Germany

[73] Assignee: AGFA-Gevaert Aktiengesellschaft, Leverkusen, Fed. Rep. of Germany

[**] Term: 14 Years

[21] Appl. No.: 102,319

[22] Filed: Dec. 10, 1979

[30] Foreign Application Priority Data

Sep. 6, 1979 [DE] Fed. Rep. of Germany 5MR 559-G 163/79-4

[51] Int. Cl. D16-01

[52] U.S. Cl. D16/1

[58] Field of Search D16/1-10; 354/76, 202, 288

[56] References Cited

U.S. PATENT DOCUMENTS

D. 182,079	2/1958	Macomber	D16/10
2,495,223	1/1950	Bodlander	354/288
2,679,196	5/1954	Socher et al.	354/202
3,165,991	1/1965	Yoshida	354/76

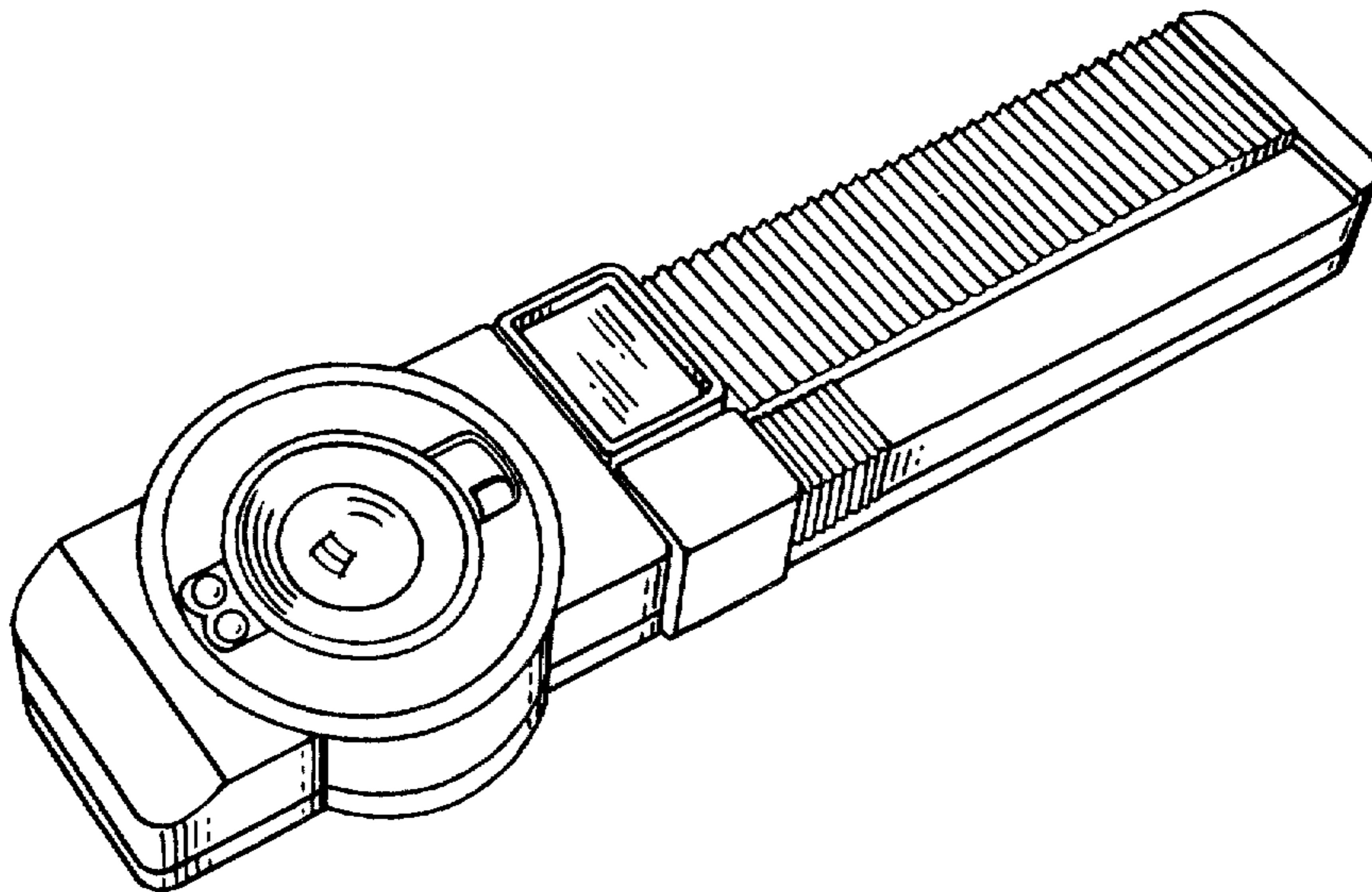
Primary Examiner—Peter M. Caun
Attorney, Agent, or Firm—Michael J. Striker

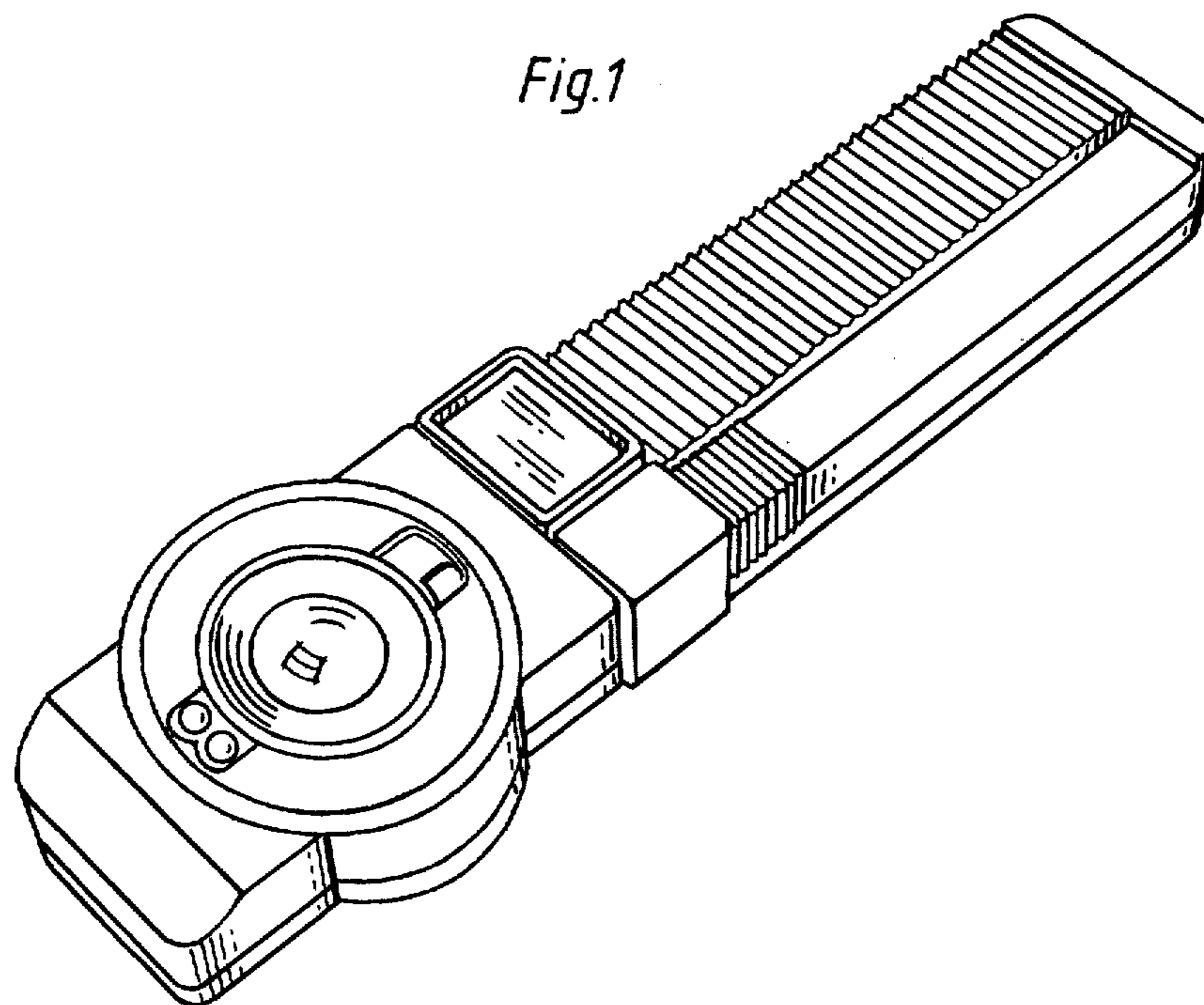
[57] CLAIM

The ornamental design for a photographic camera, substantially as shown and described.

DESCRIPTION

FIG. 1 is a perspective front view of a photographic camera embodying our novel design, FIG. 2 is a front view thereof, FIG. 3 is a rear view thereof, FIG. 4 is a top-plan view thereof, FIG. 5 is a bottom-plan view thereof, FIG. 6 is a right-side view thereof, FIG. 7 is a left-side view thereof.





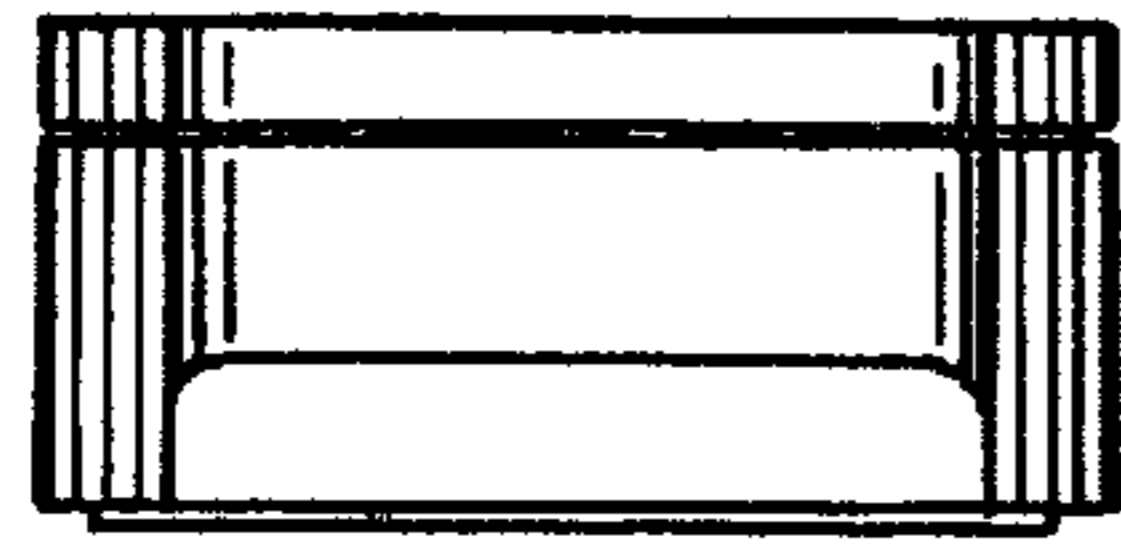


Fig. 4

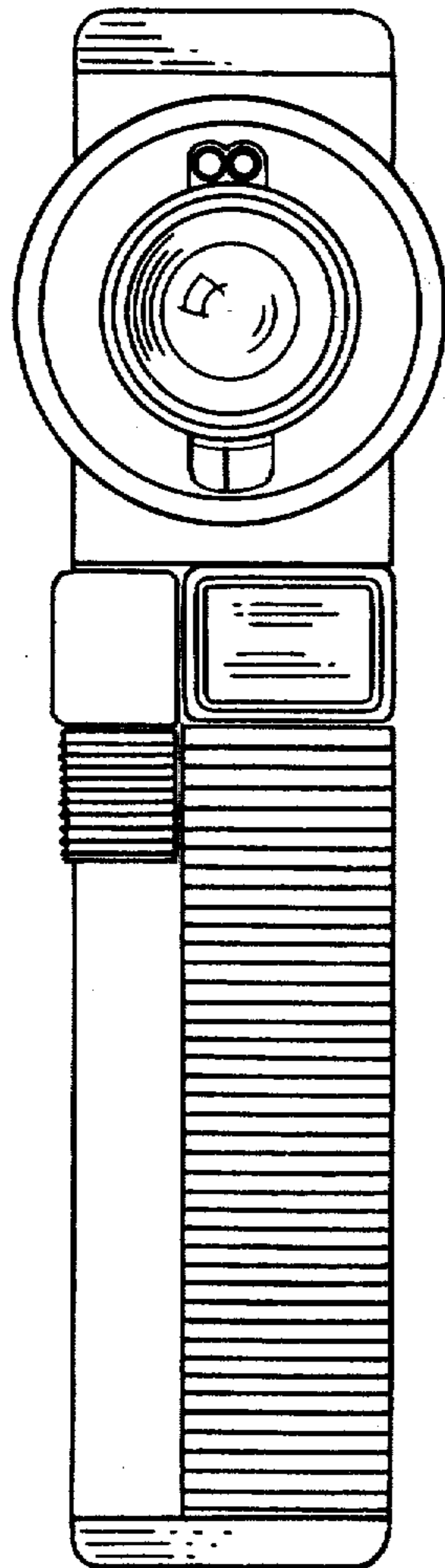


Fig. 2

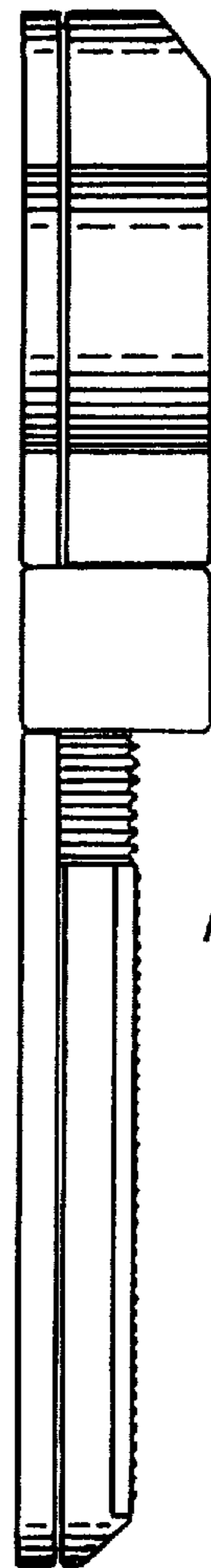


Fig. 7

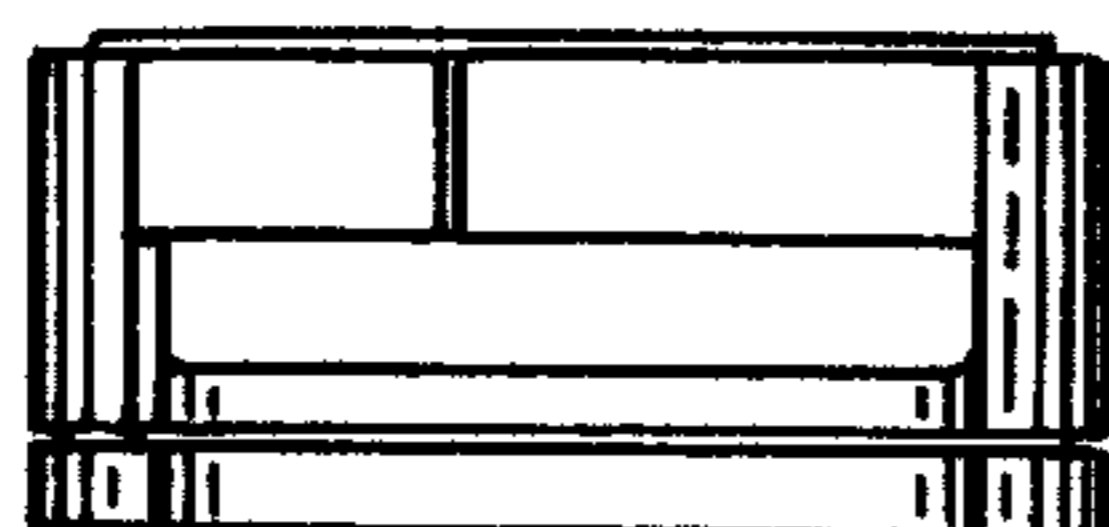


Fig. 5

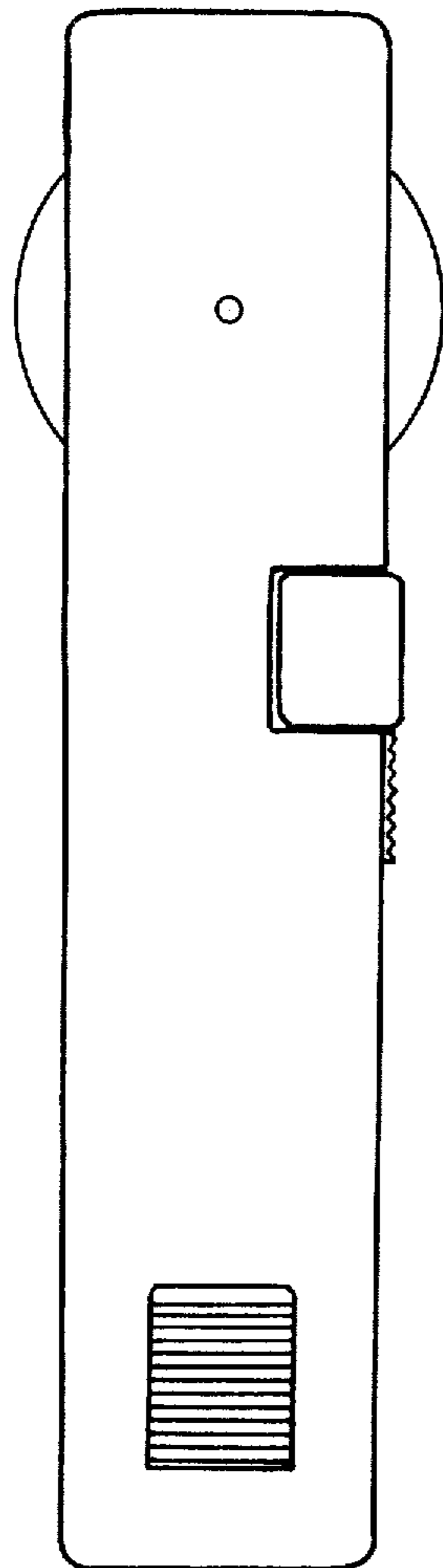


Fig.3

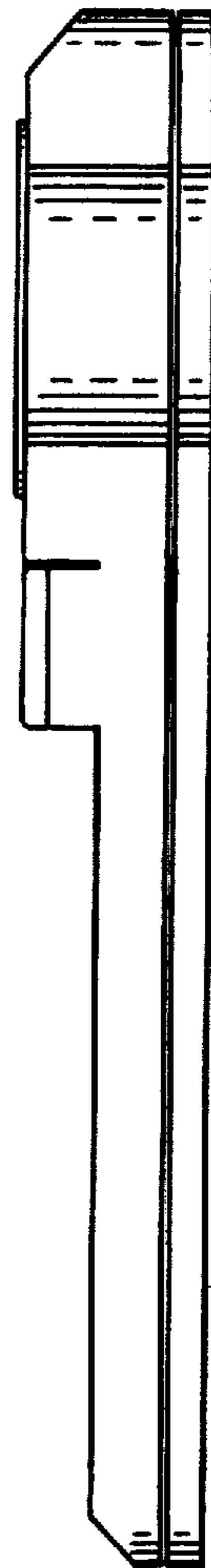


Fig.6