

[54] PANORAMIC CAMERA

[75] Inventors: **Ronald P. Globus; Richard D. Globus; Stephen E. Globus**, all of New York, N.Y.

[73] Assignee: **Globuscope, Inc.**, New York, N.Y.

[**] Term: **14 Years**

[21] Appl. No.: **9,809**

[22] Filed: **Feb. 6, 1979**

[51] Int. Cl. **D16-01**
[52] U.S. Cl. **D16/1; 354/94**
[58] Field of Search **D16/1-10; 354/94-99**

References Cited

U.S. PATENT DOCUMENTS

3,240,140 3/1966 **Hearon et al.** 354/99
3,246,588 4/1966 **Waroux** 354/94

4,078,860 3/1978 **Globus et al.** 354/94
4,241,985 12/1980 **Globus et al.** 354/99

Primary Examiner—Peter M. Caun
Attorney, Agent, or Firm—Burns, Doane, Swecker & Mathis

[57] **CLAIM**

The ornamental design for a panoramic camera, as shown.

DESCRIPTION

FIG. 1 is a front view of the panoramic camera according to the present invention;
FIG. 2 is a left side view of the panoramic camera of FIG. 1;
FIG. 3 is a top view of the panoramic camera of FIG. 1;
FIG. 4 is a back view of the panoramic camera according to the present invention; and
FIG. 5 is a bottom view of the panoramic camera according to the present invention.

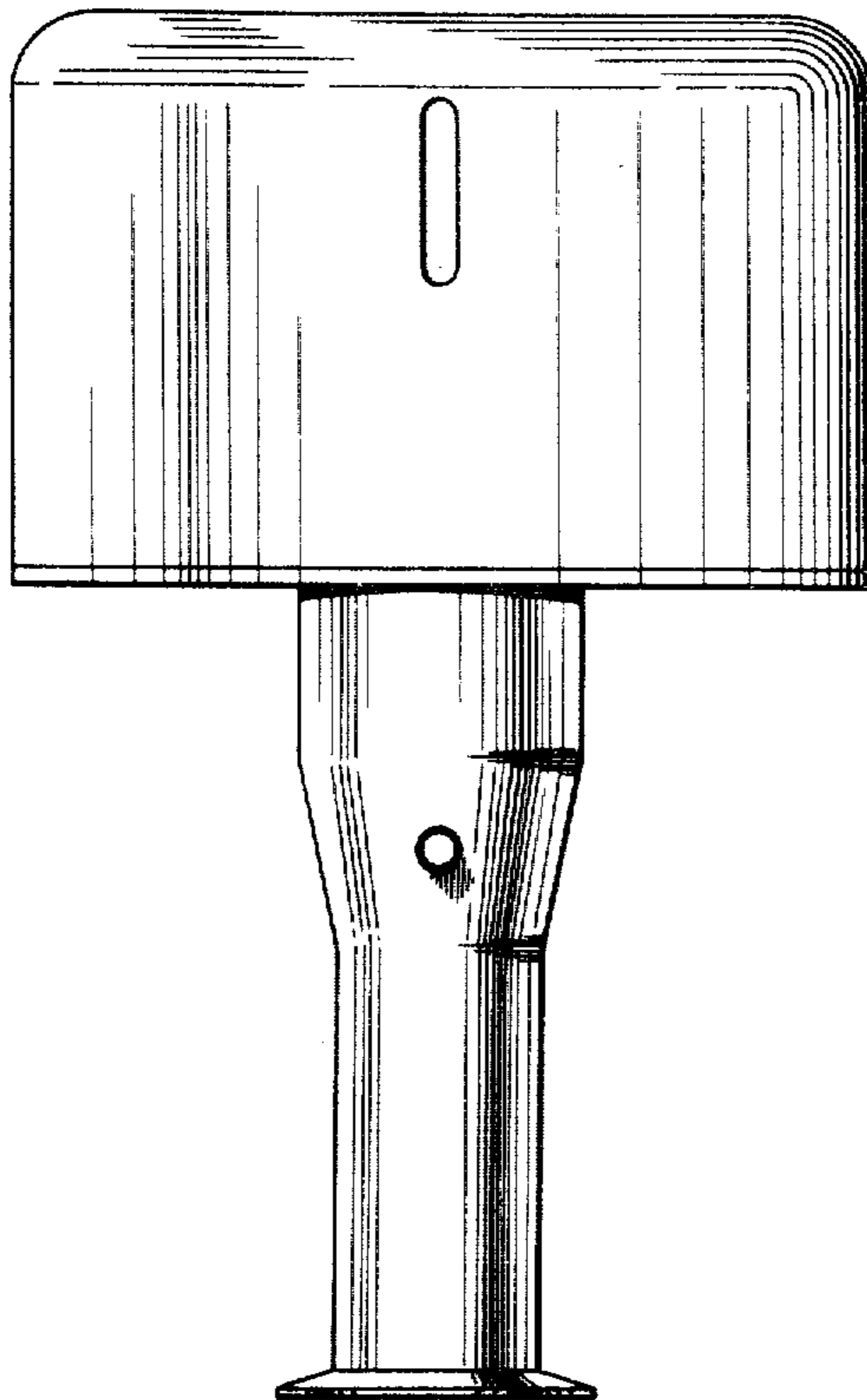


Fig. 1

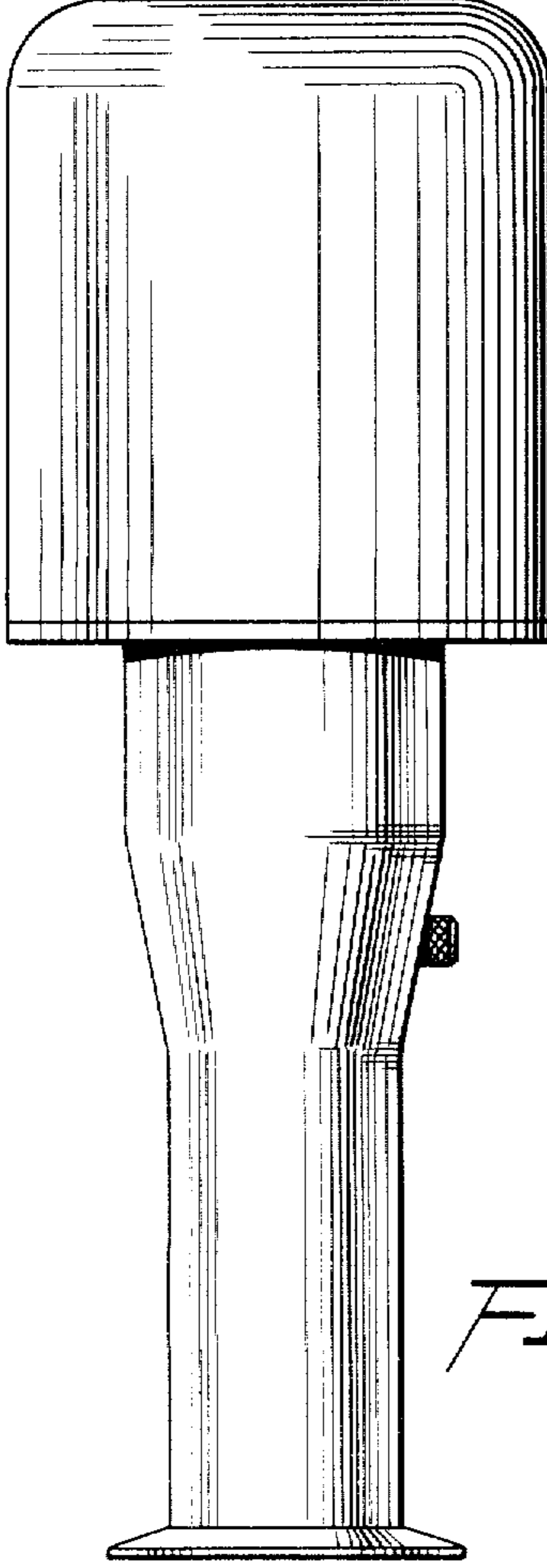
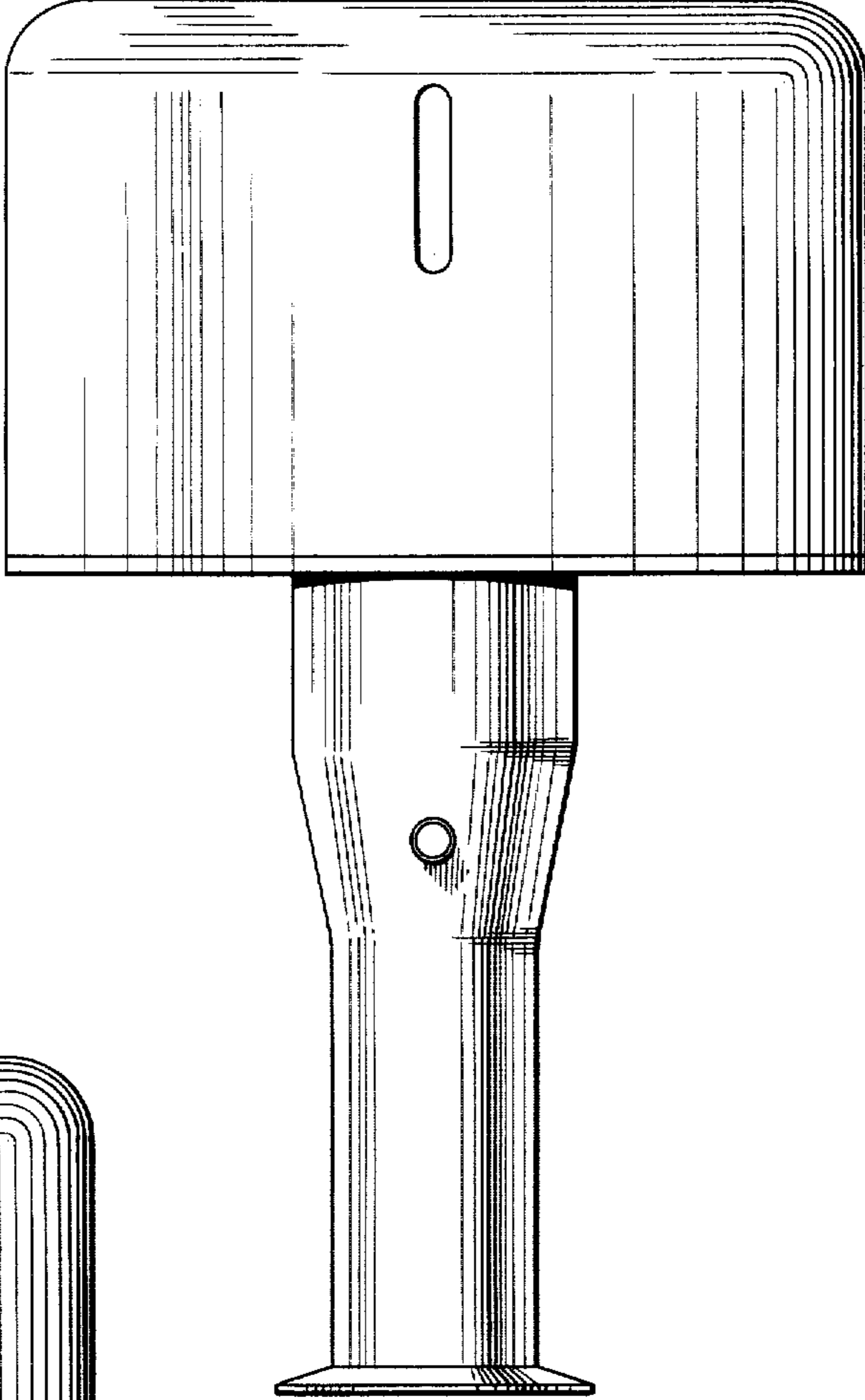


Fig. 2

Fig. 3

