

[54] FOLDABLE SLICING MACHINE

[75] Inventor: Edgar Rixen, Solingen, Fed. Rep. of Germany

[73] Assignee: Firma Robert Krups, Solingen, Fed. Rep. of Germany

[\*\*] Term: 14 Years

[21] Appl. No.: 930,545

[22] Filed: Aug. 2, 1978

[30] Foreign Application Priority Data

Feb. 18, 1978 [DE] Fed. Rep. of Germany ..... 58876

[51] Int. Cl. .... D15-08

[52] U.S. Cl. .... D15/97

[58] Field of Search ..... D15/97; 83/729, 717, 83/719, 722, 730

[56] References Cited

U.S. PATENT DOCUMENTS

D. 239,462 4/1976 Gourley ..... D15/97

1,698,869 1/1929 Wolff ..... 83/729

2,611,406 9/1952 Preble, Jr. .... 83/717

Primary Examiner—W. Stallard

Attorney, Agent, or Firm—Michael J. Striker

[57] CLAIM

The ornamental design for a foldable slicing machine, substantially as shown and described.

DESCRIPTION

FIG. 1 is a right front perspective view of my new design;

FIG. 2 is a left rear perspective view thereof; FIG. 3 is a right front view showing the slicing machine in folded condition; FIG. 4 is a right side view thereof in folded condition; FIG. 5 is a left side view thereof in folded condition; FIG. 6 is a top plan view thereof in folded condition; FIG. 7 is a bottom plan view thereof in folded condition; FIG. 8 is a right front perspective view thereof, also showing a slidable holder for substances to be sliced; FIG. 9 is a left front perspective view of FIG. 8; FIG. 10 is a rear end view of the holder in FIGS. 8 and 9; FIG. 11 is a bottom view of the holder in FIGS. 8 and 9; FIG. 12 is a left front perspective view of my design, also showing the slidable holder of FIGS. 8-11 and a slidable pusher for substances to be sliced; FIG. 13 is a right front perspective view of FIG. 12; FIG. 14 is a right perspective view of the pusher of FIGS. 12 and 13, also showing the back thereof; FIG. 15 is a bottom view of the pusher in FIG. 14; FIG. 16 is a left rear perspective view of my design in open condition and also showing a foldable serving tray thereon; FIG. 17 is a left rear perspective view of FIG. 16 in partly folded condition; FIG. 18 is a left rear perspective view of FIG. 16 in fully folded condition; FIG. 19 is a top view of FIG. 17, also showing the design in fully folded condition; FIG. 20 is a left rear perspective view of a modification of my design; and FIG. 21 is a left rear perspective view of FIG. 20 in folded condition.

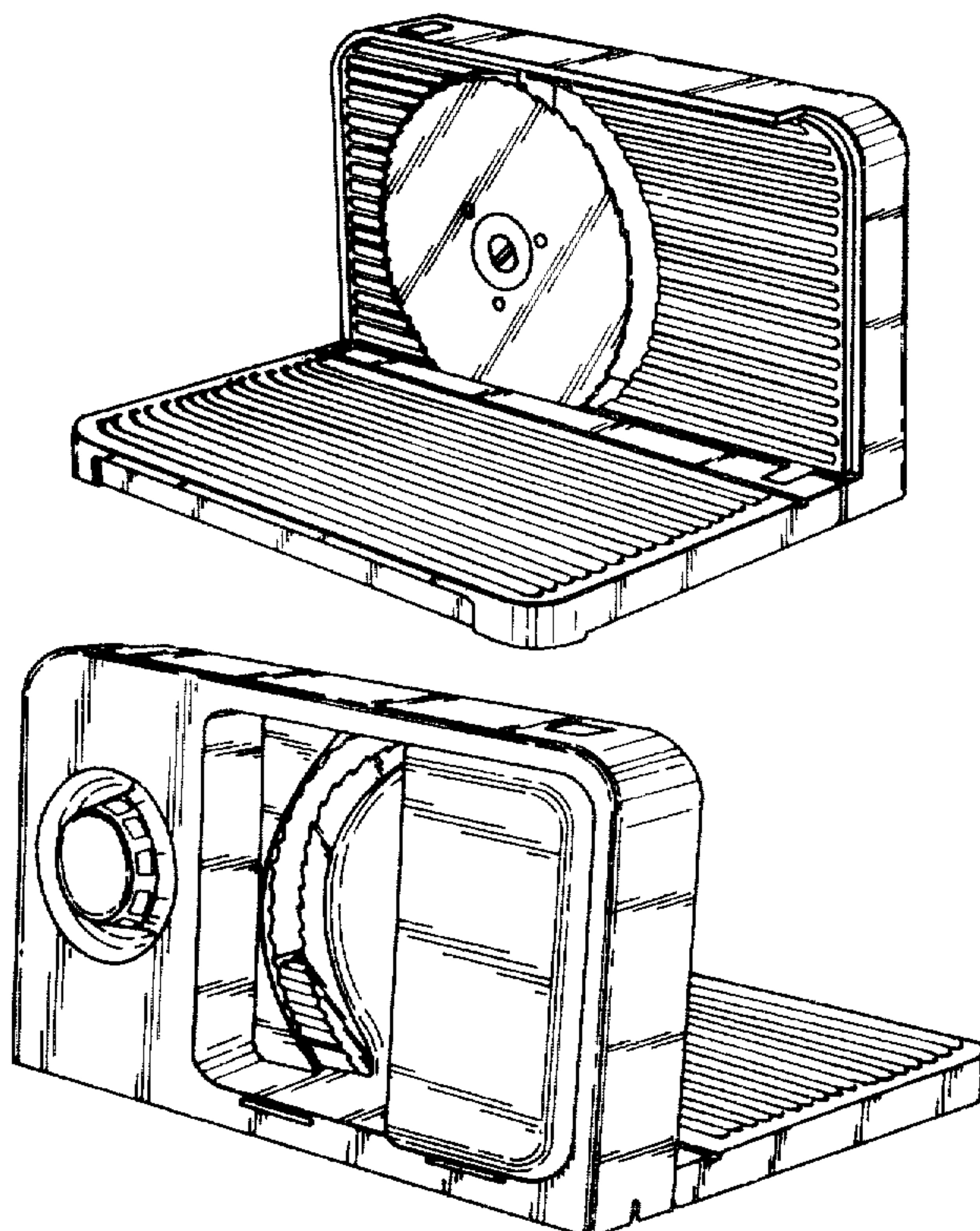


FIG. 1

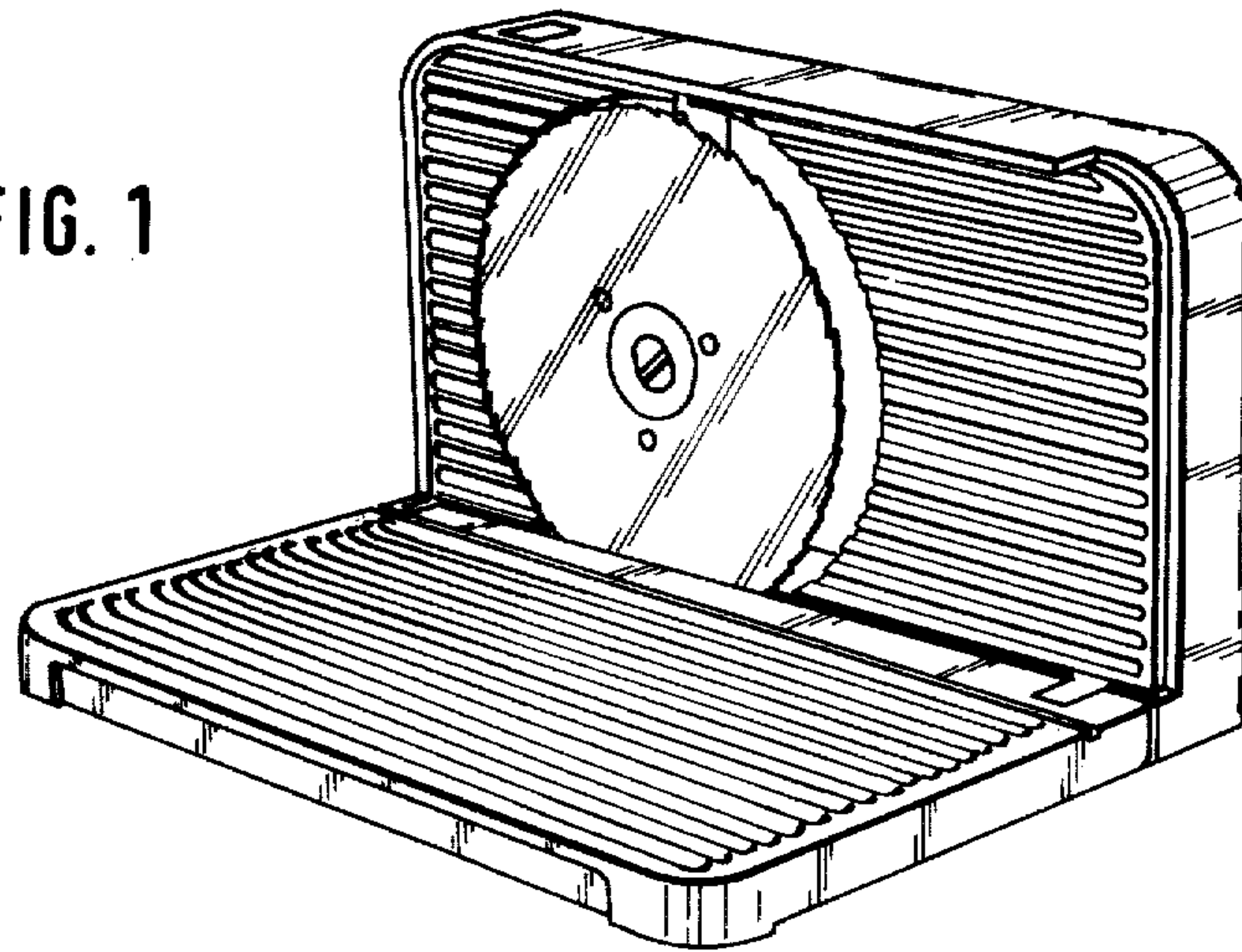


FIG. 2

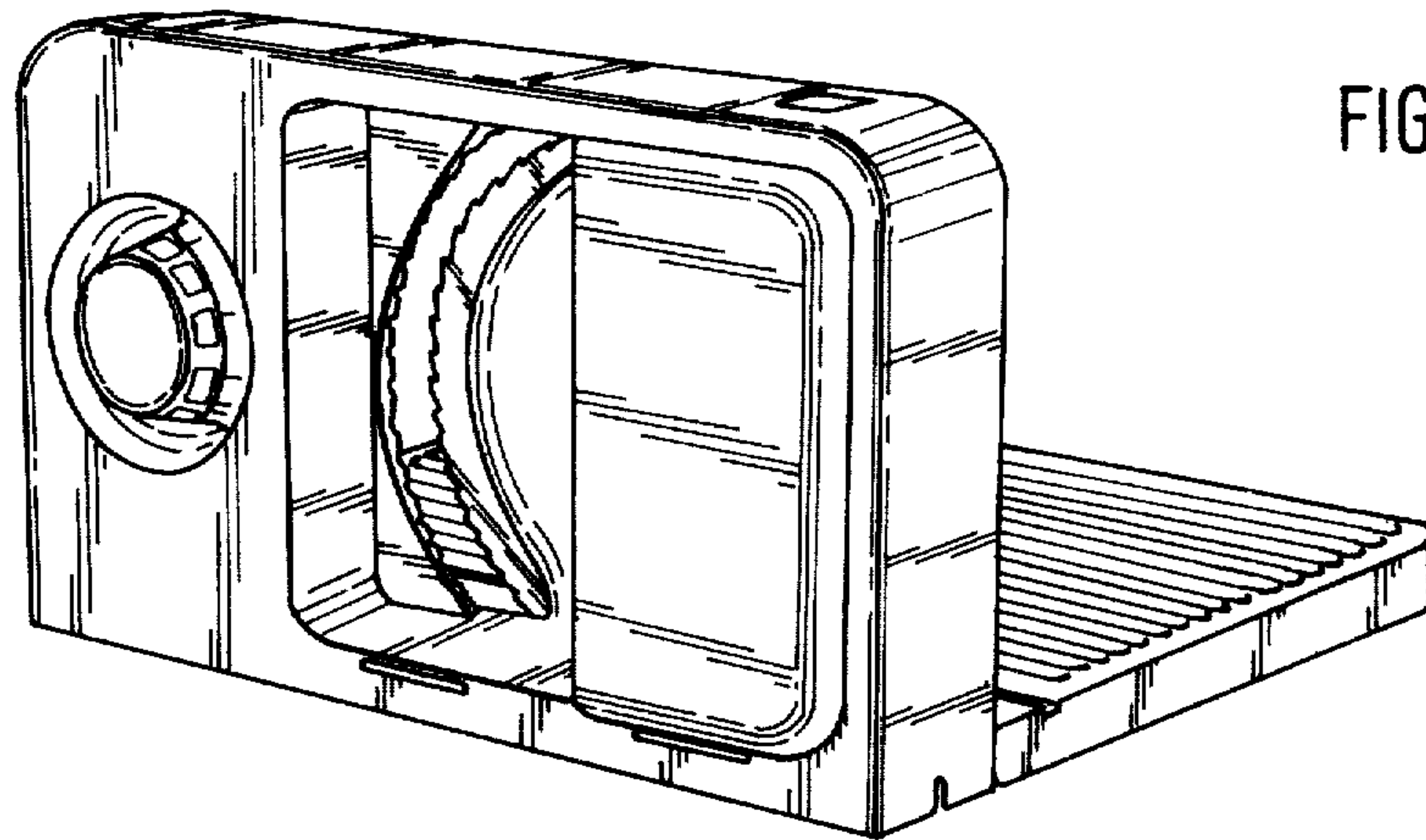


FIG. 3

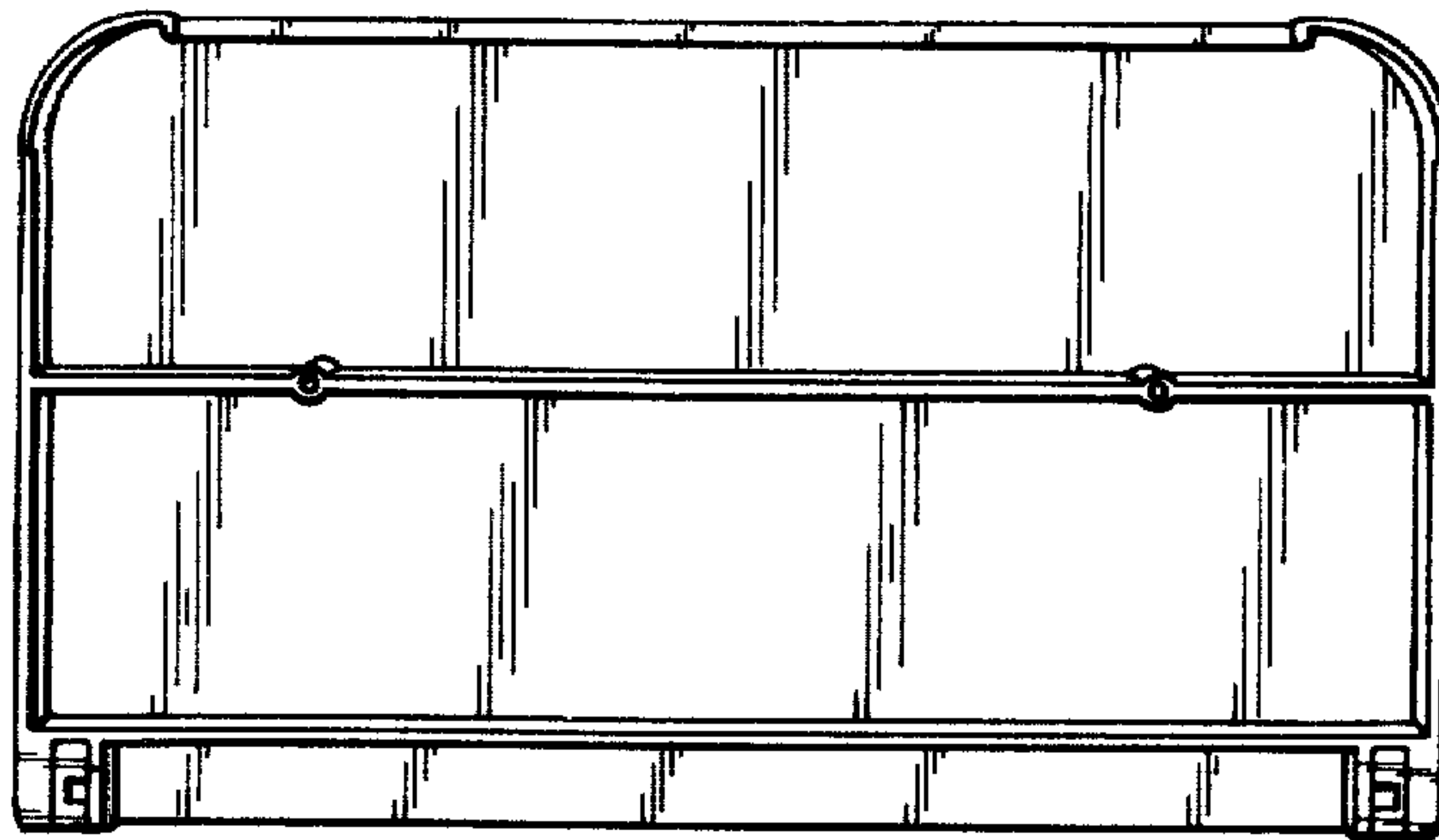


FIG. 5

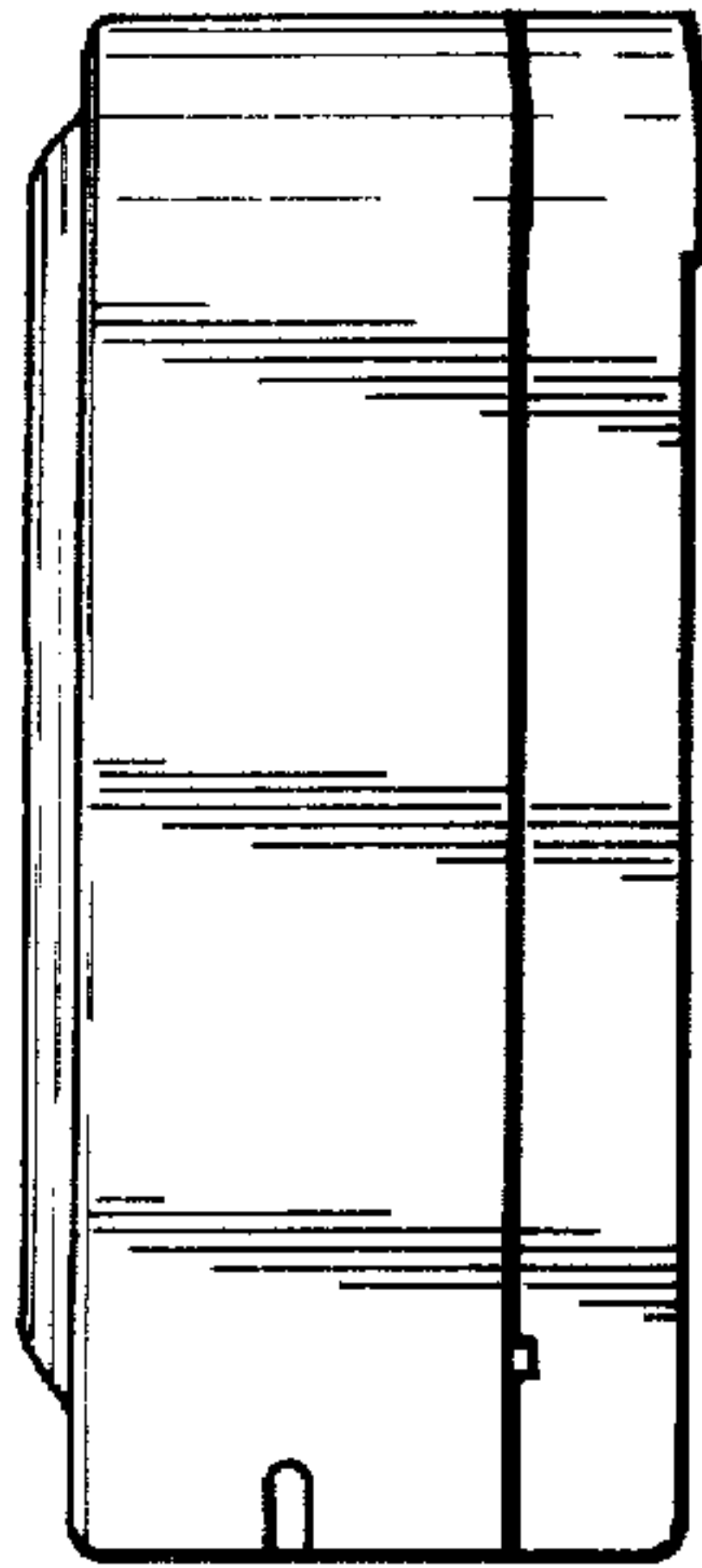


FIG. 4

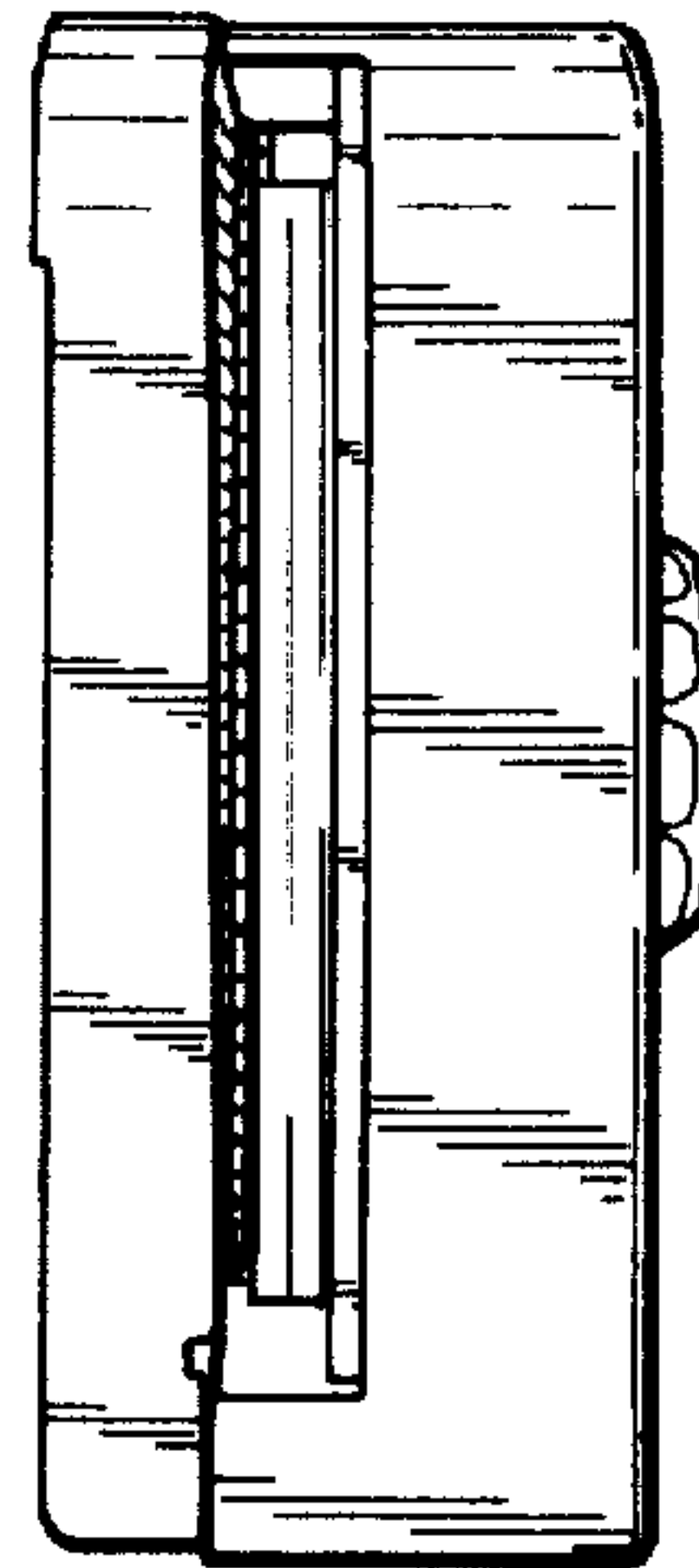


FIG. 6

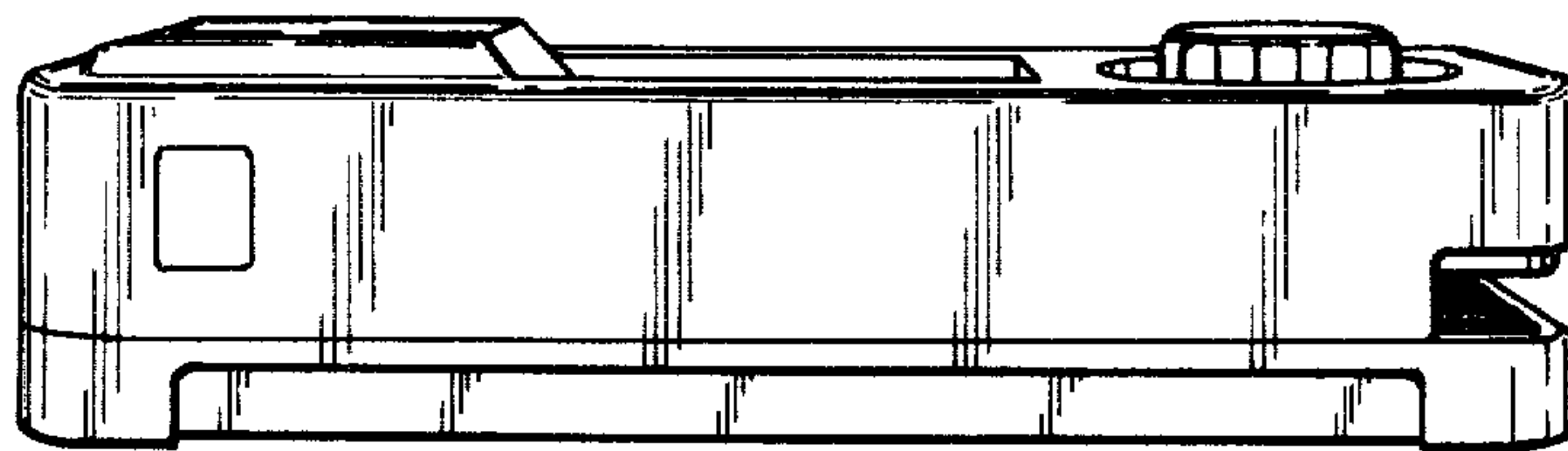


FIG. 7

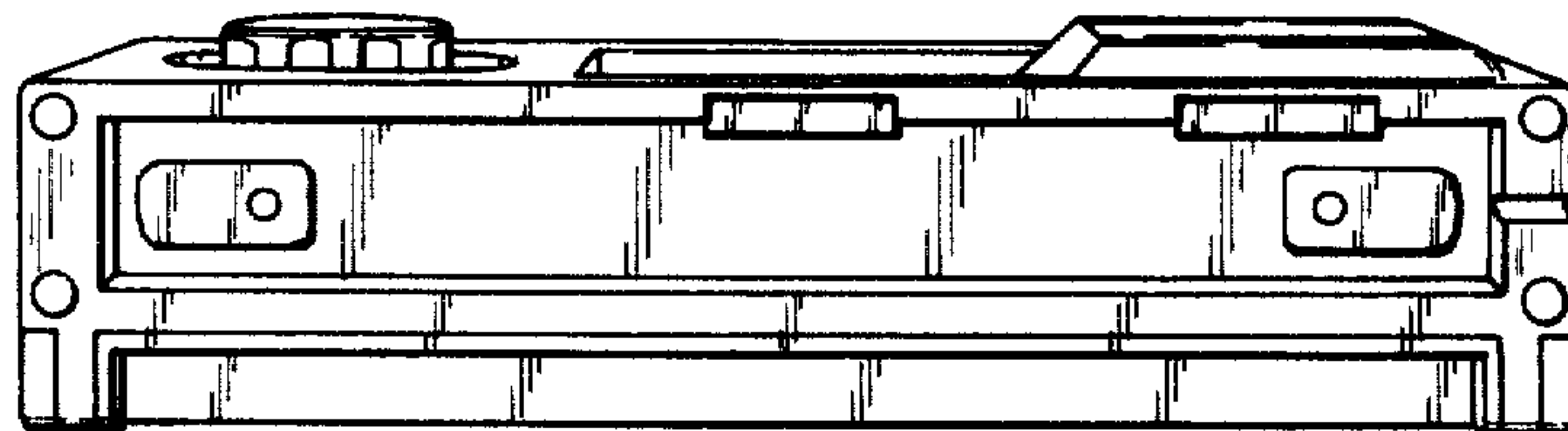




FIG. 8

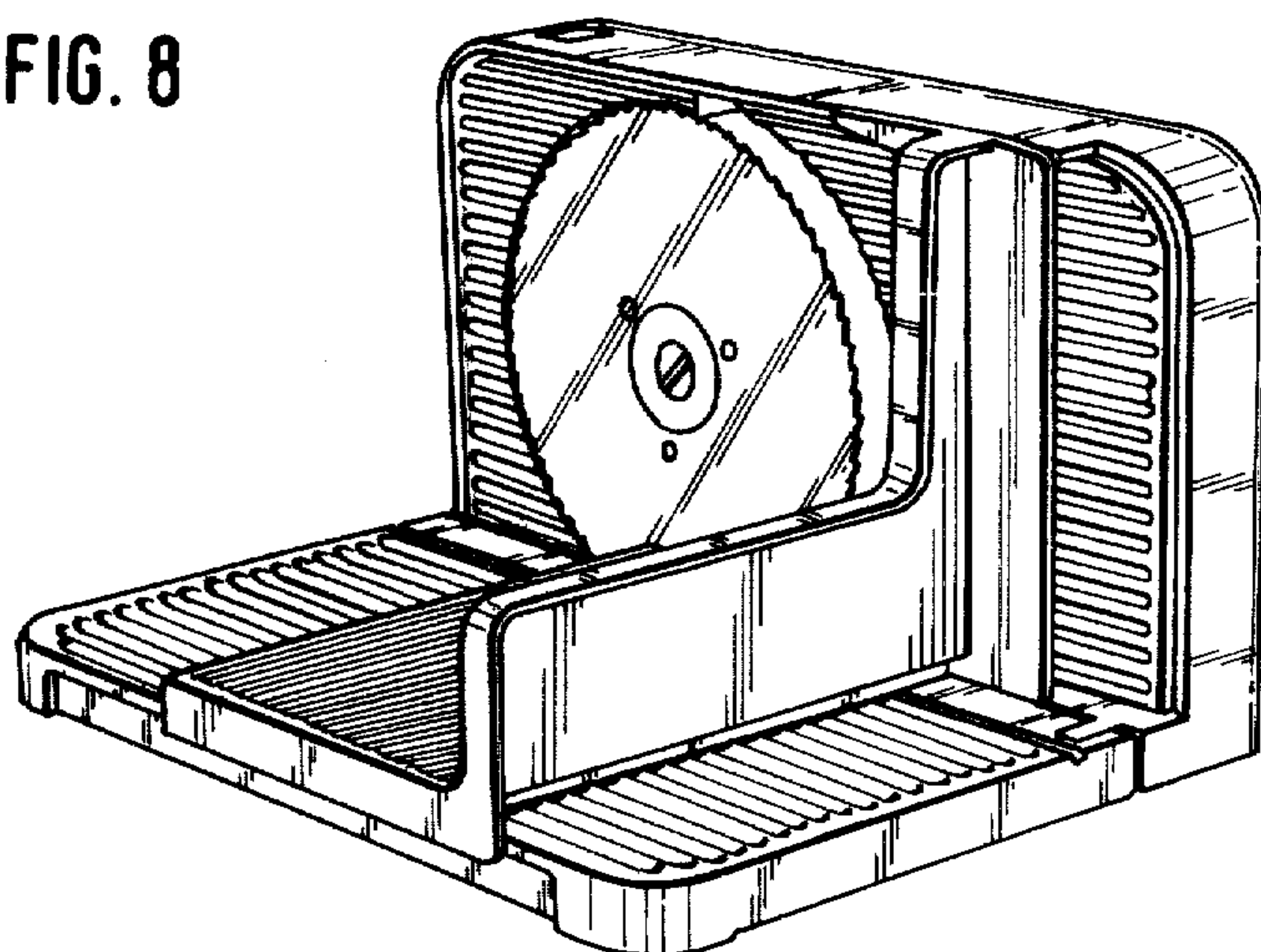
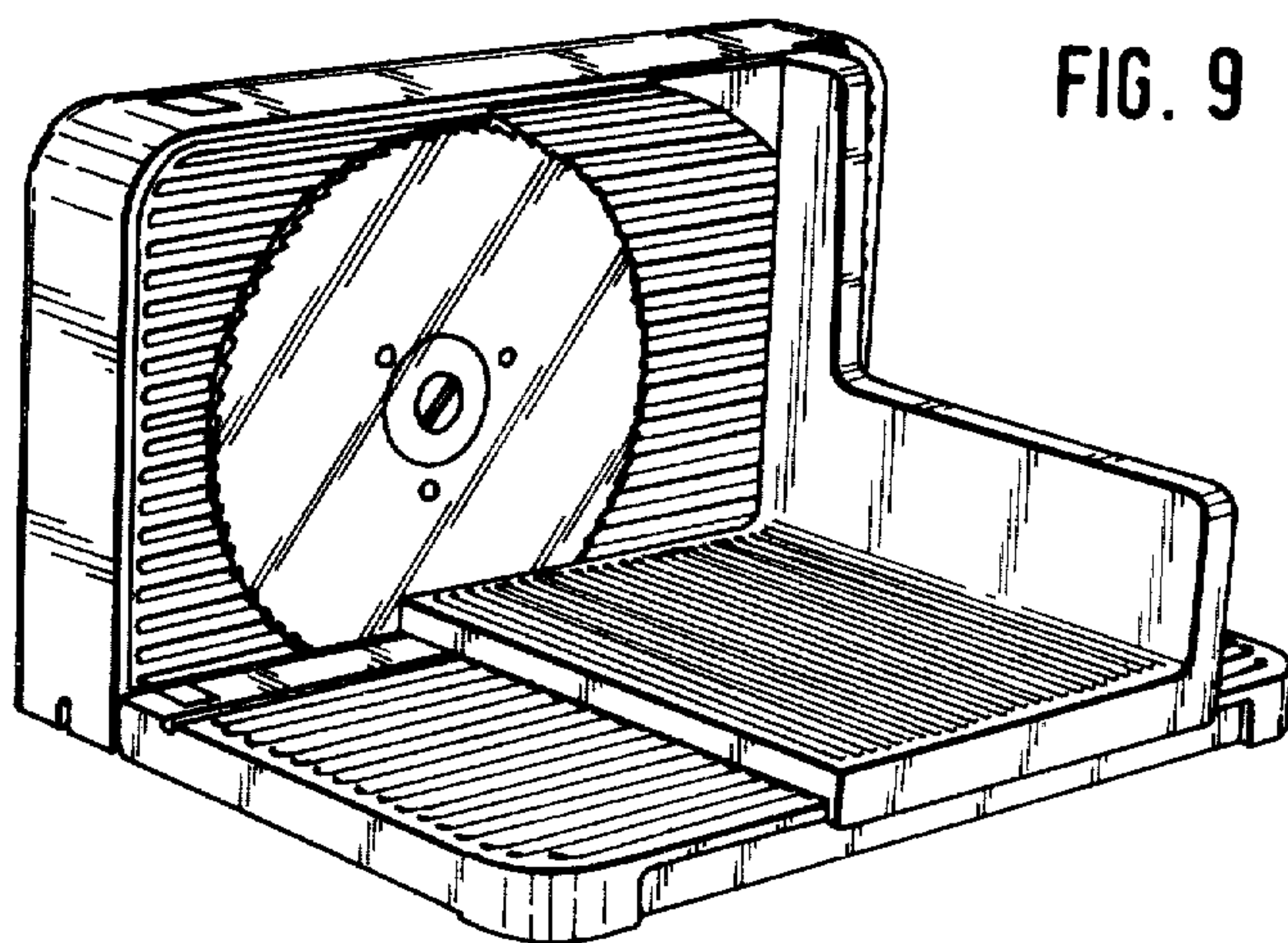


FIG. 9



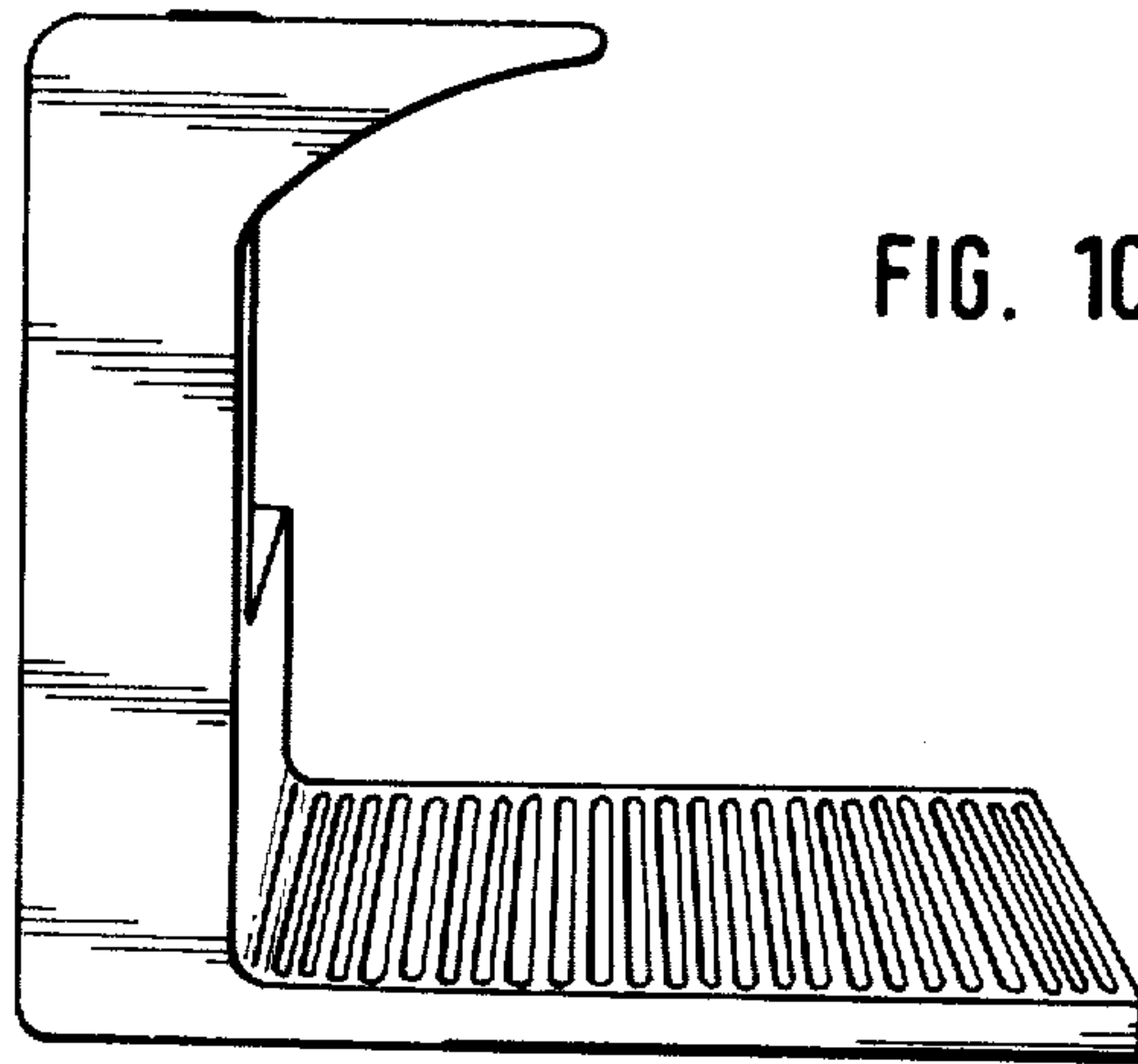


FIG. 10

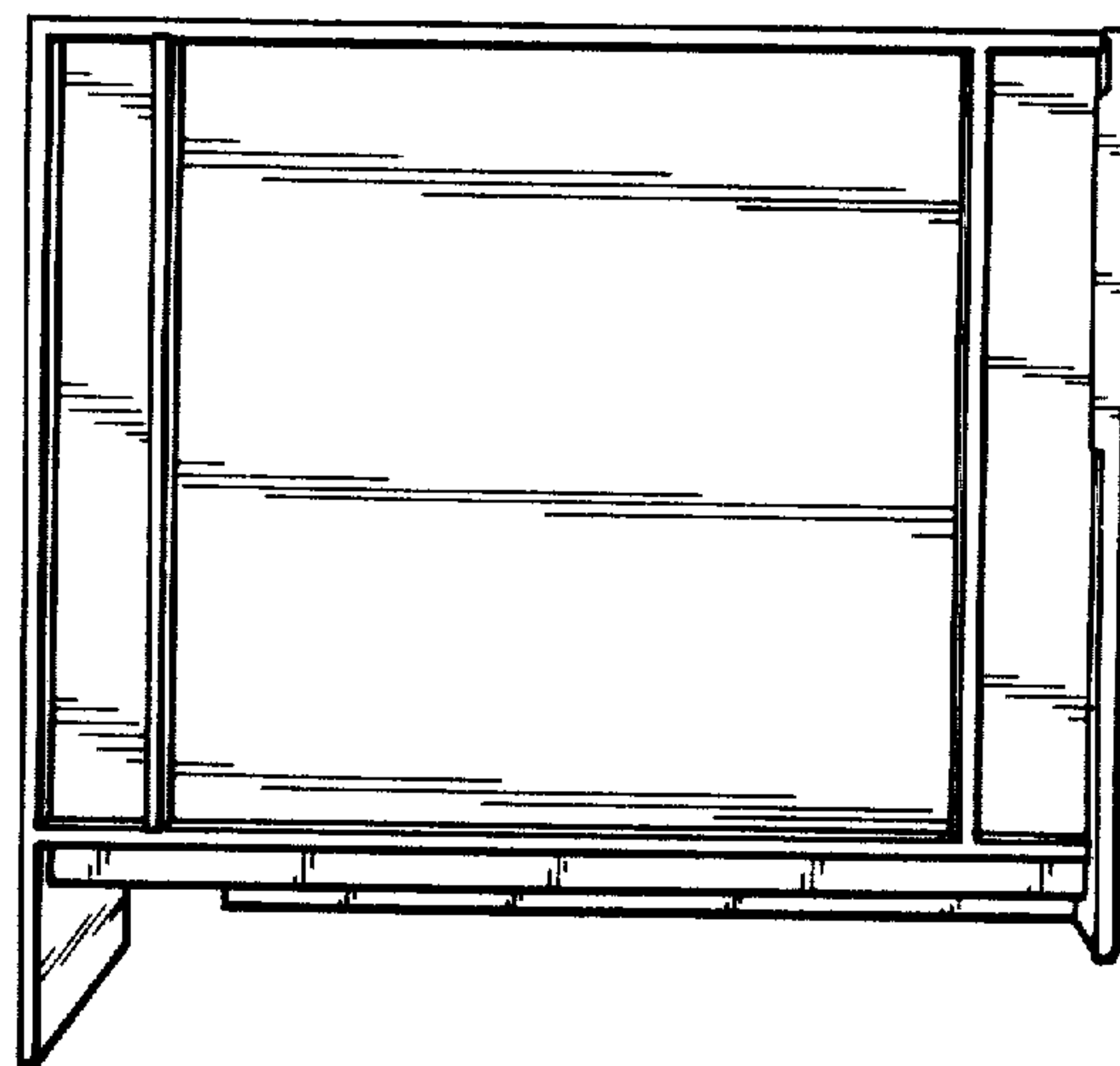


FIG. 11

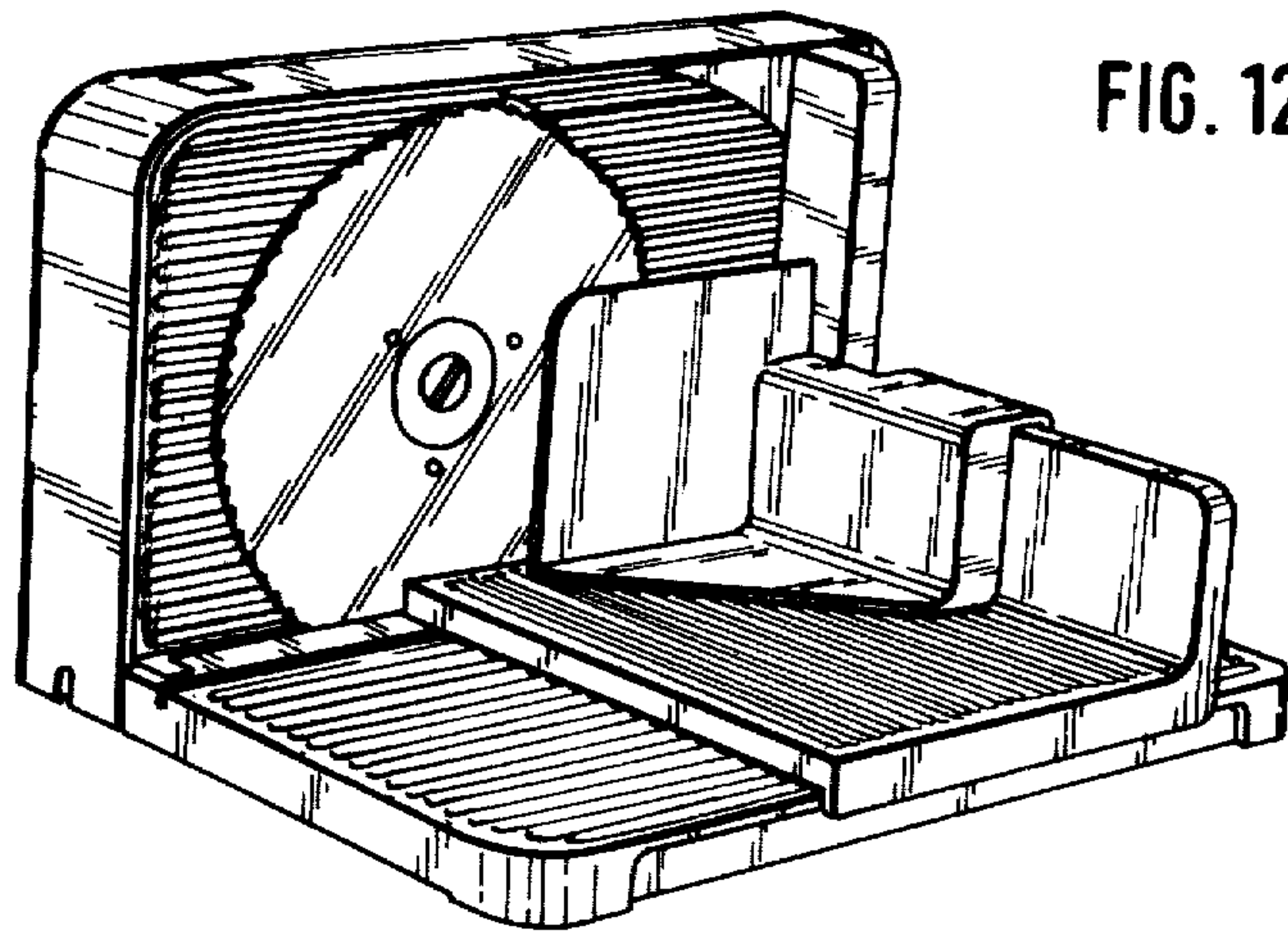


FIG. 12

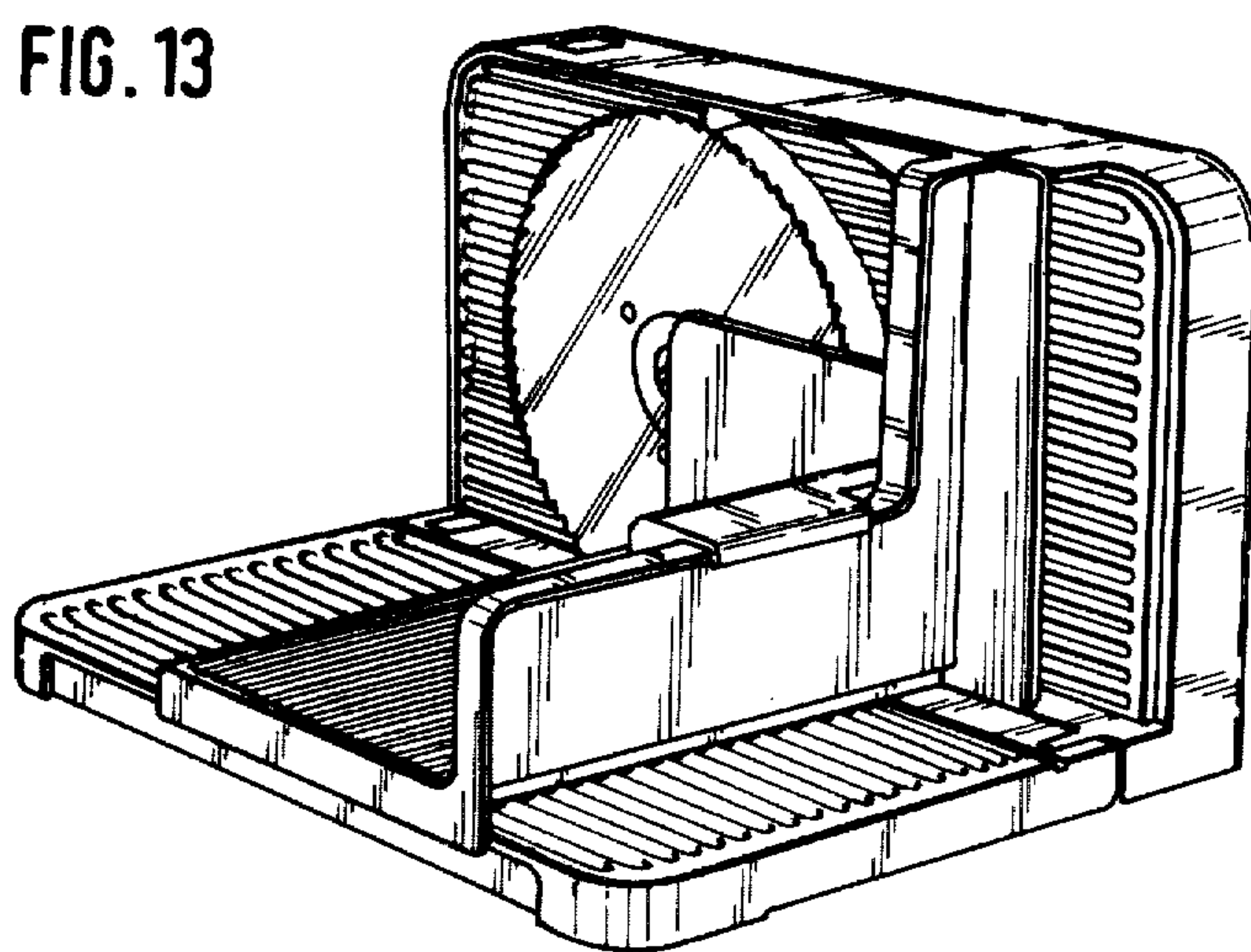


FIG. 13

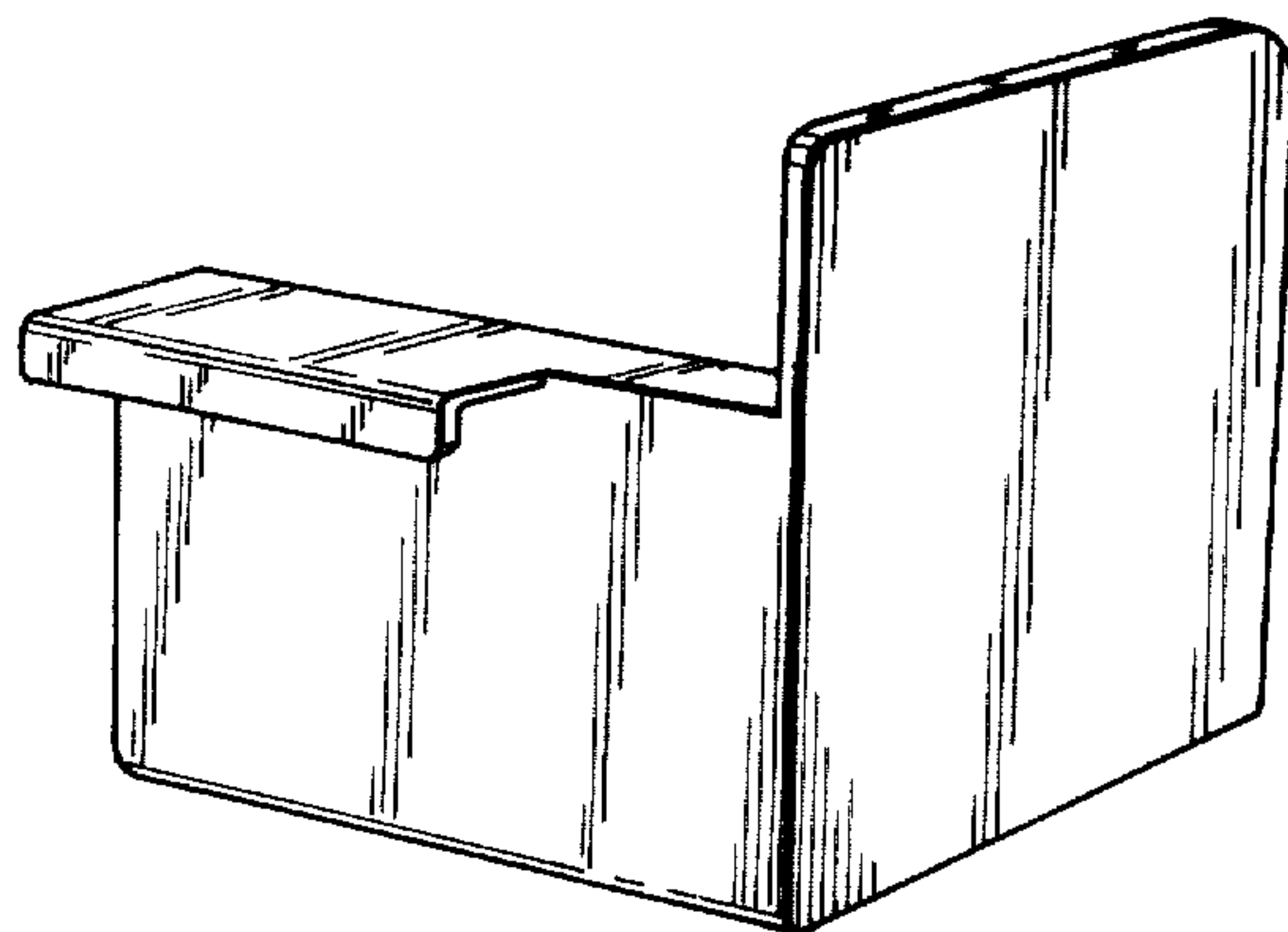


FIG. 14

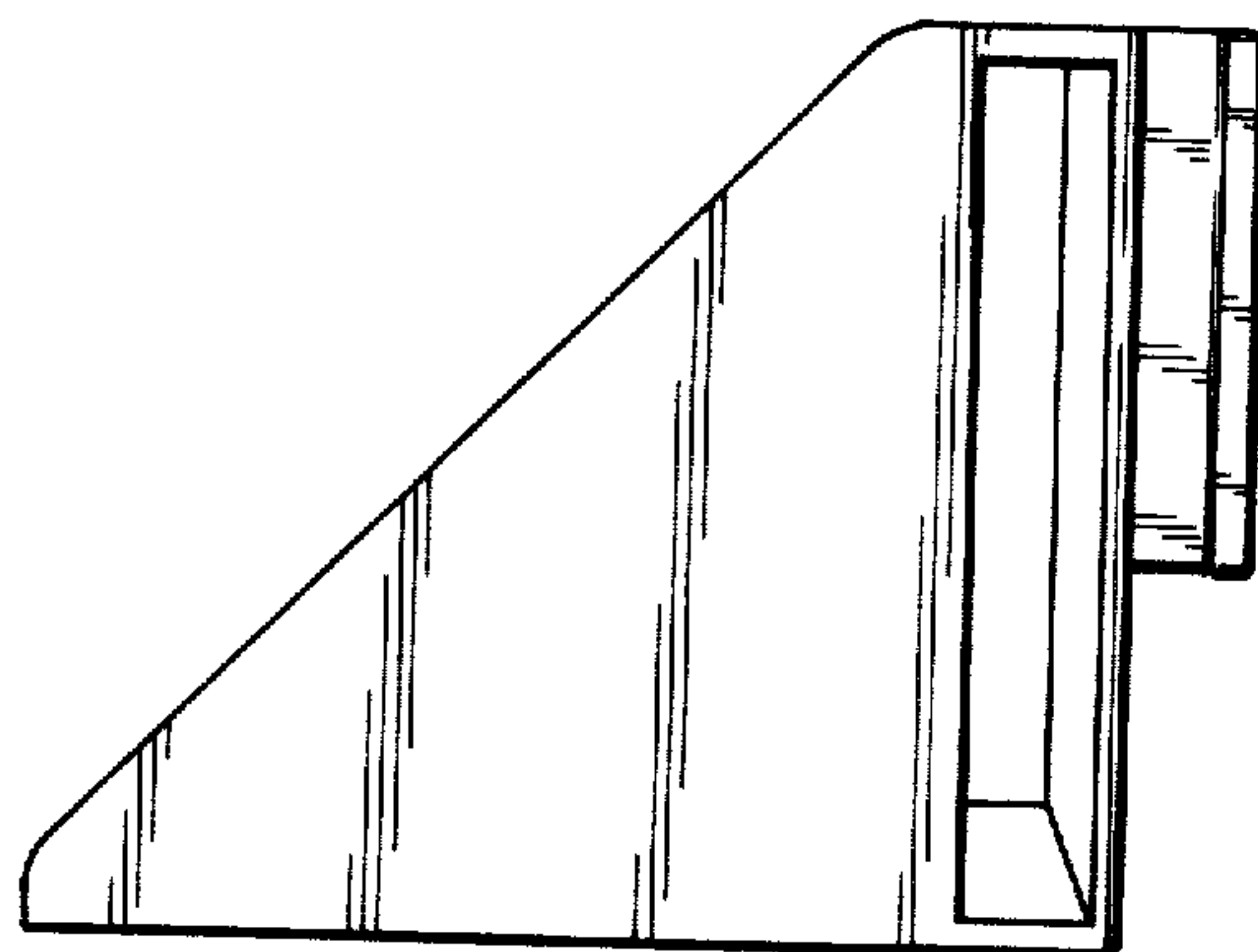
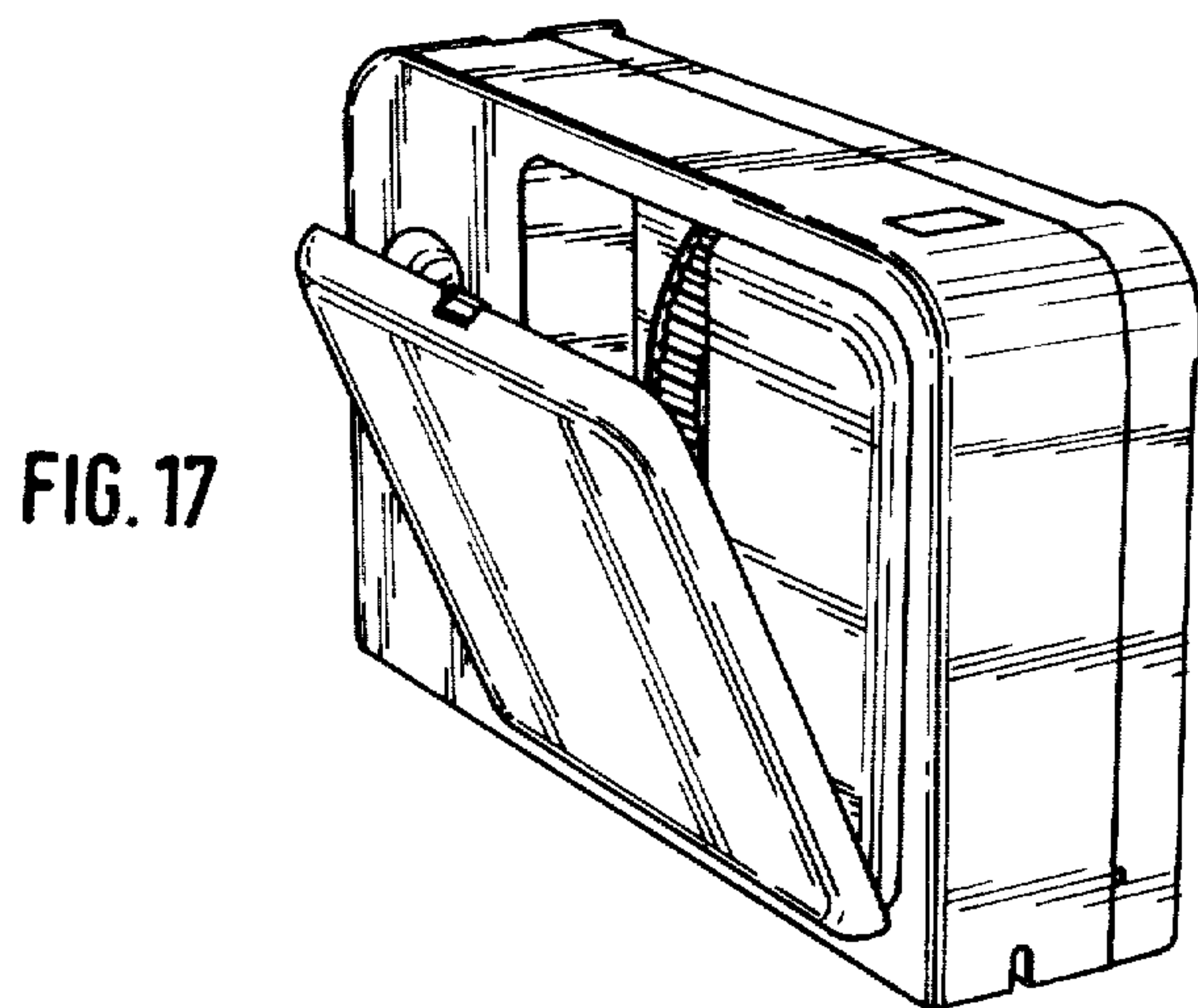
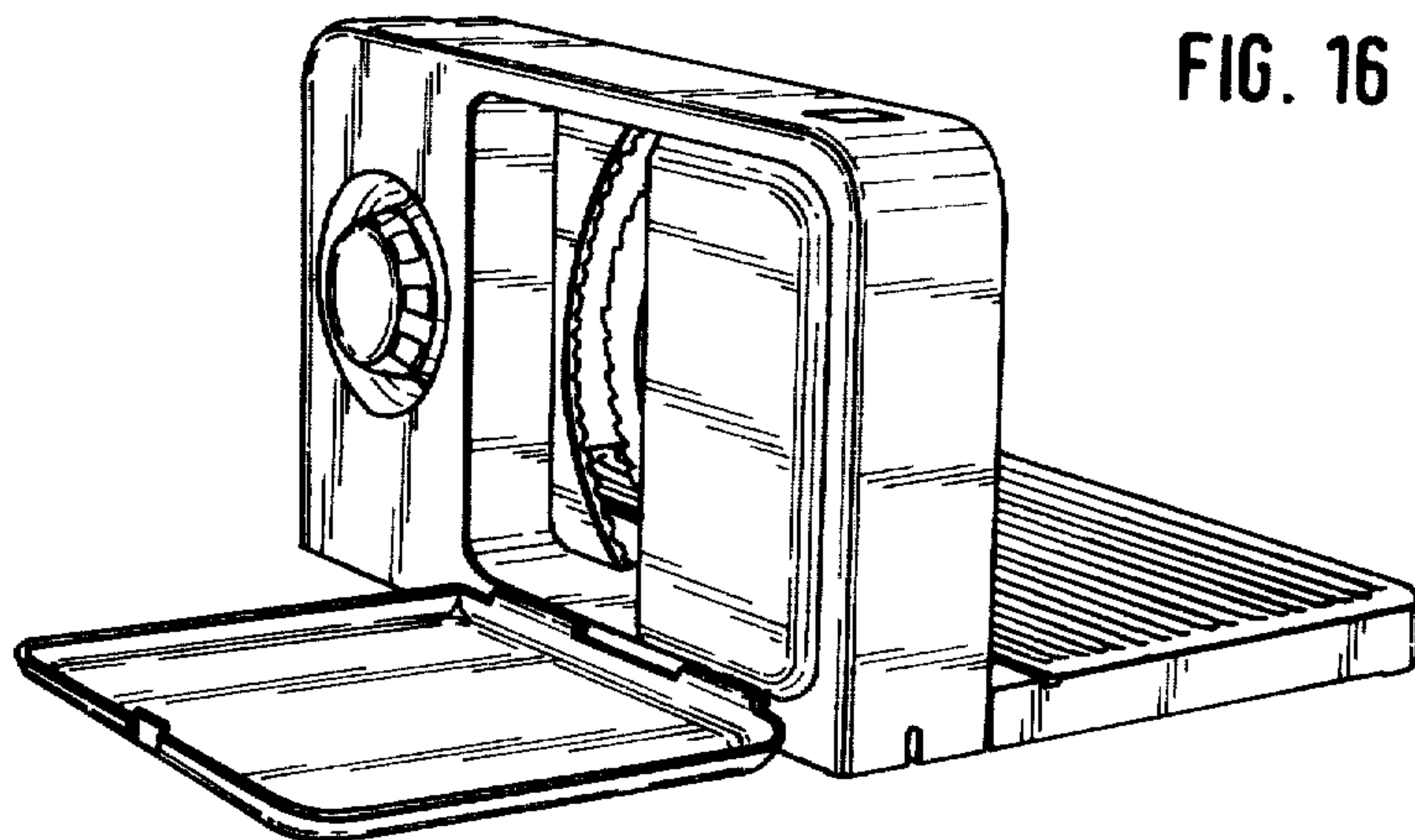


FIG. 15





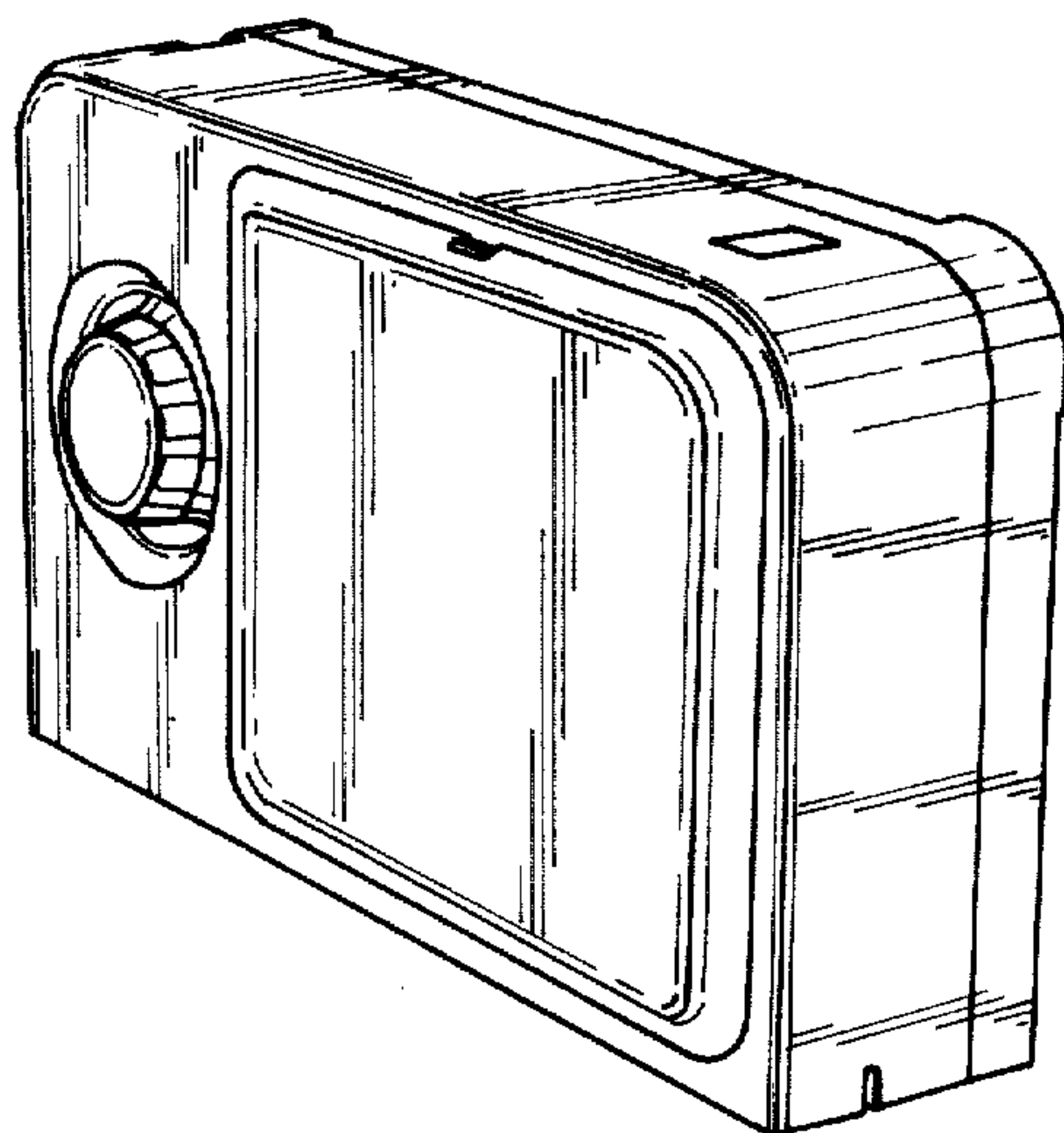


FIG. 18

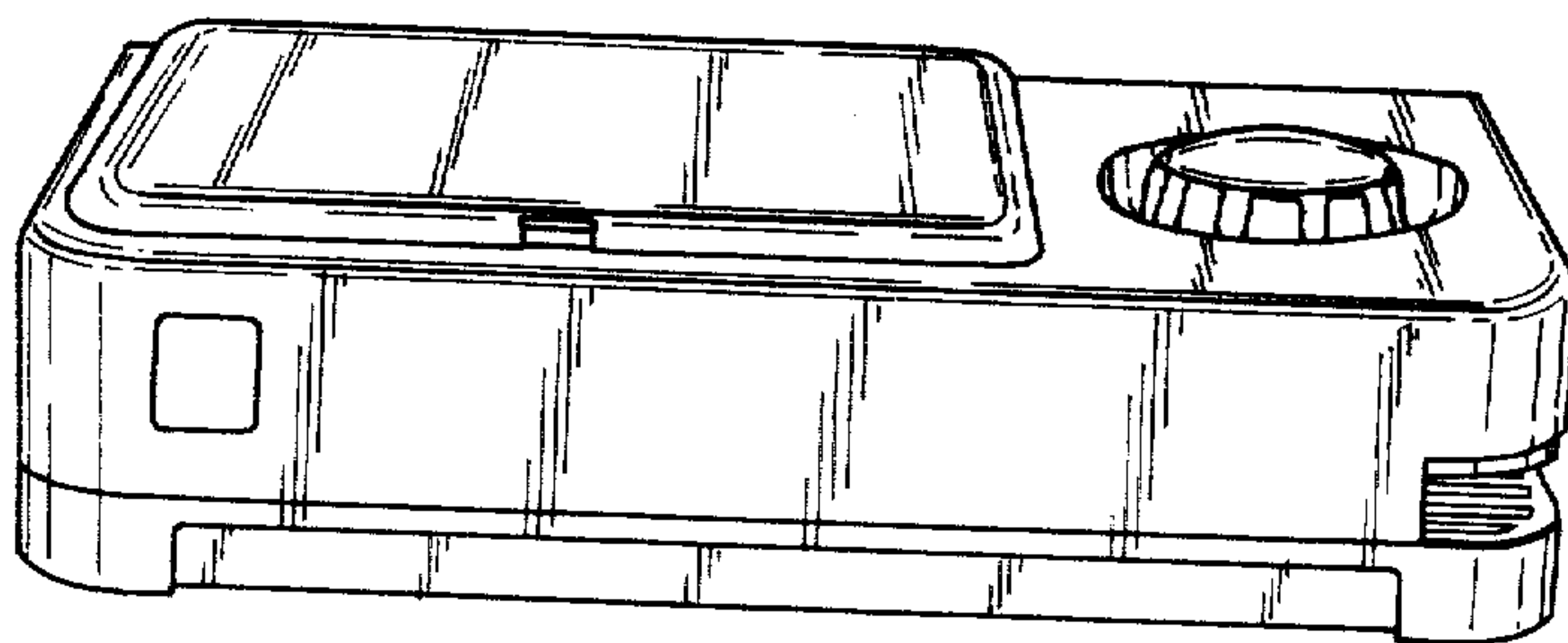


FIG. 19

FIG. 20

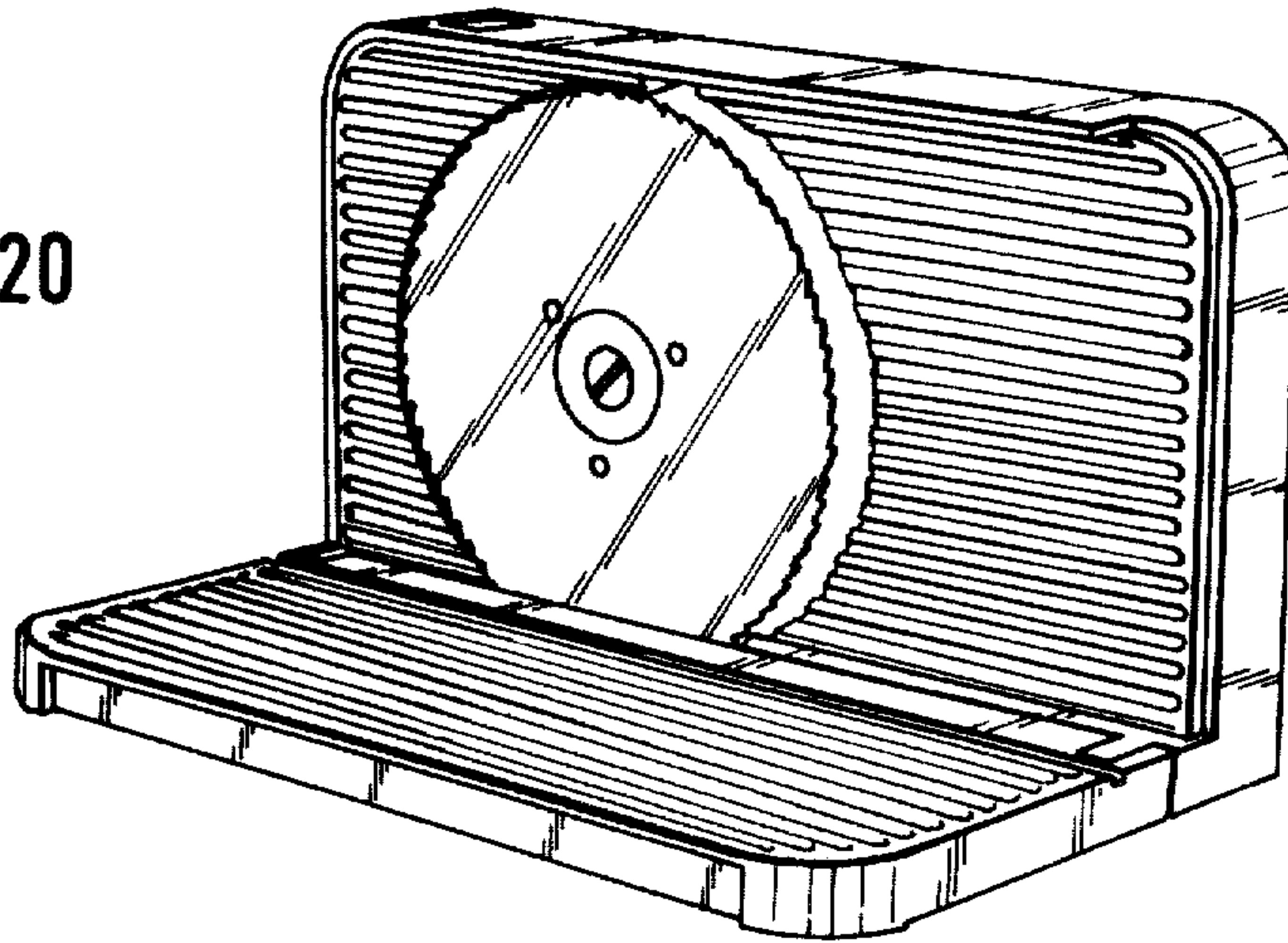


FIG. 21

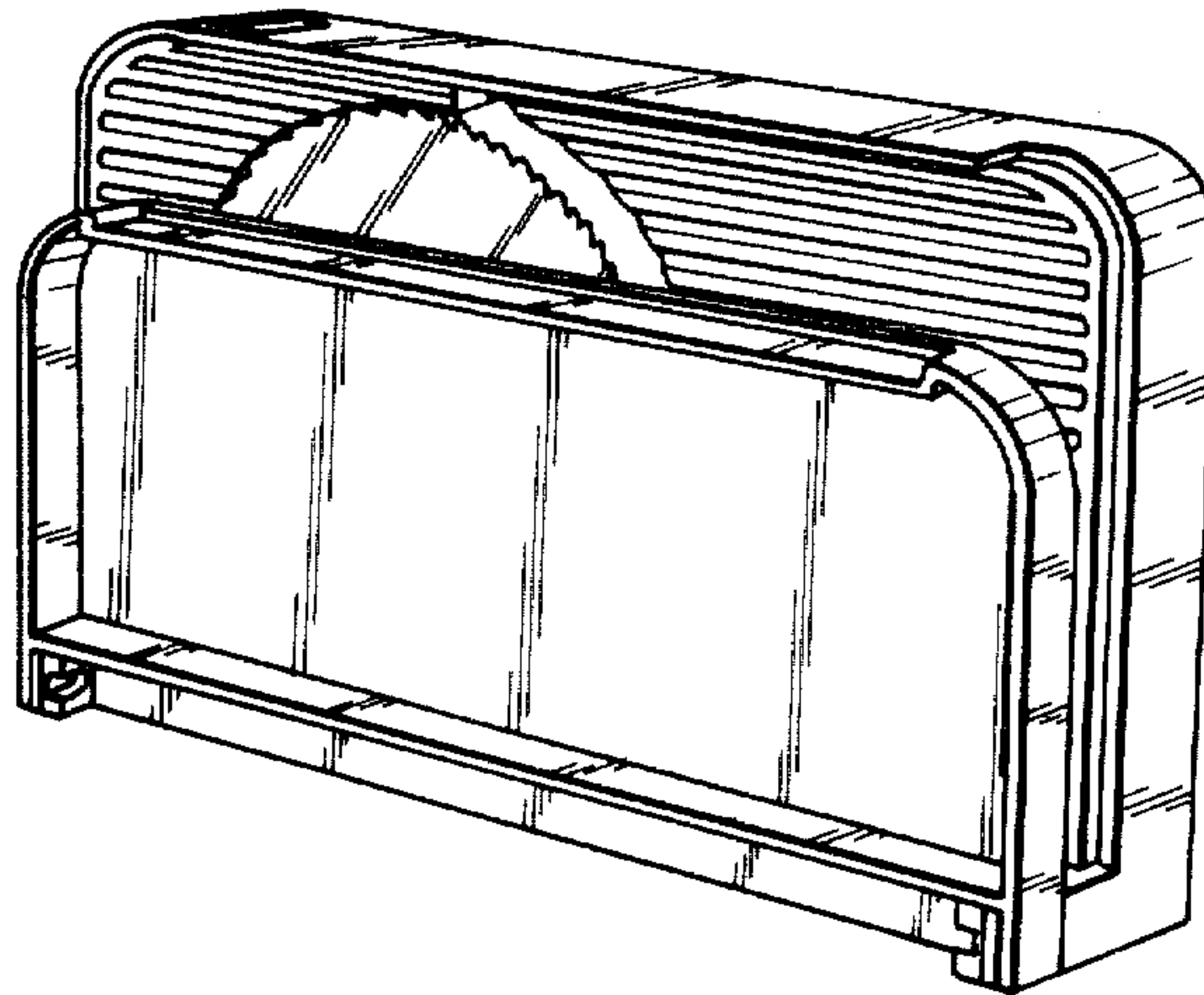


FIG. 22

